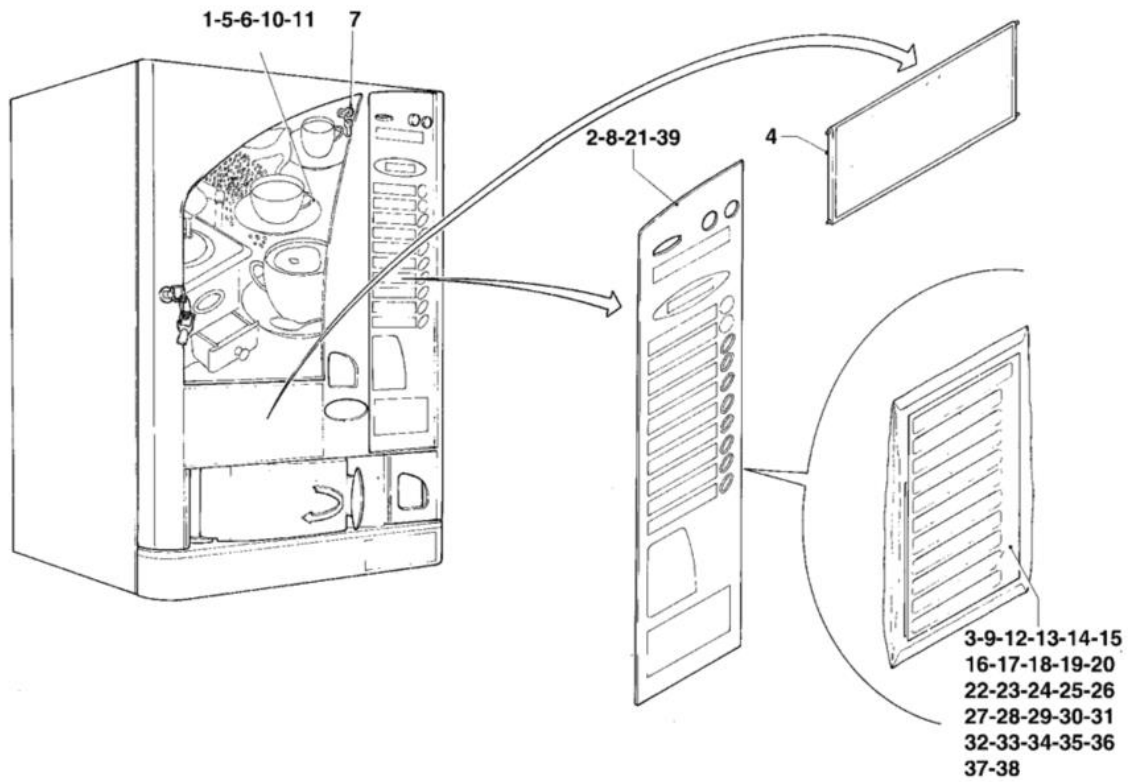


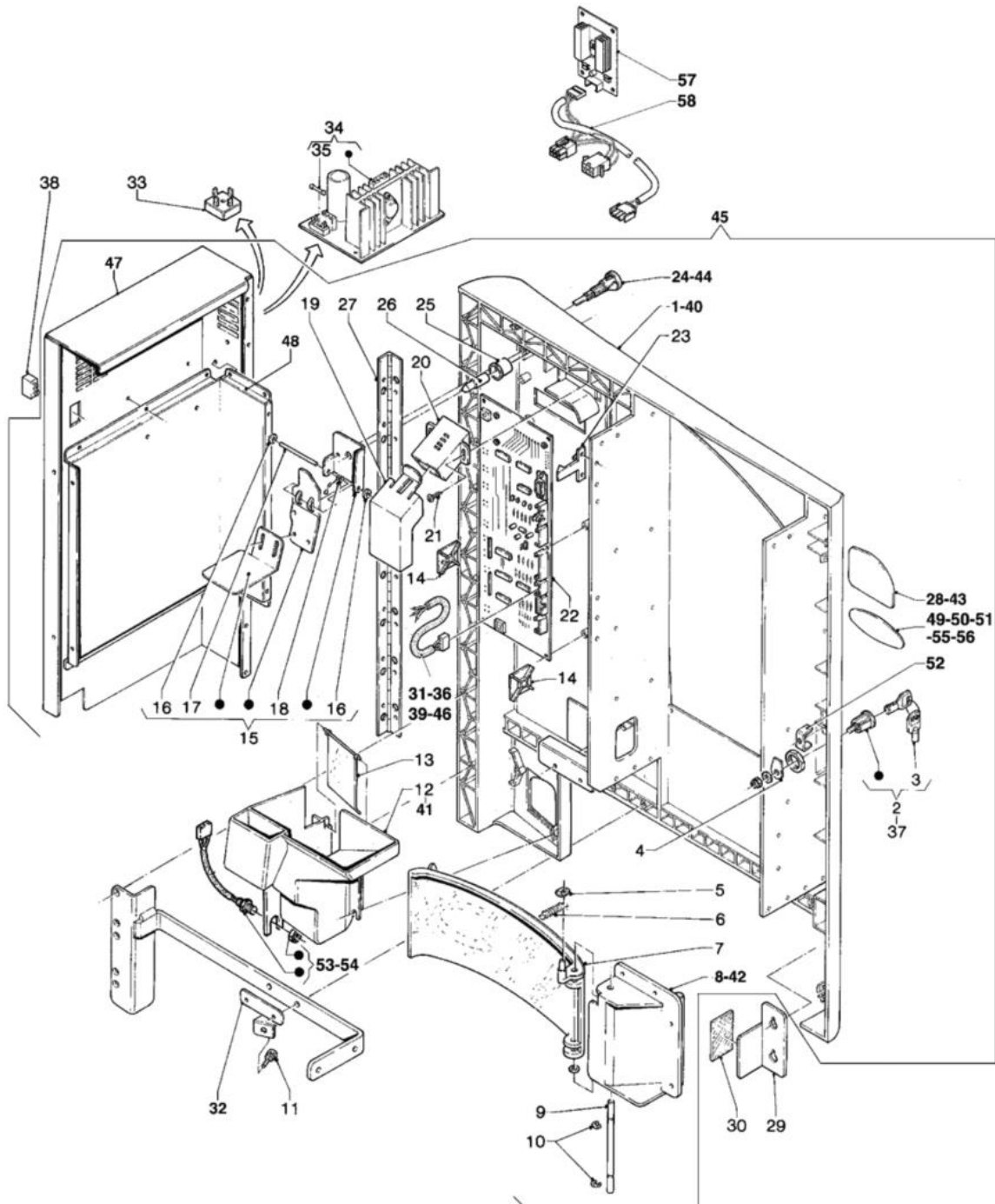


- 1 Door, external side
- 2 Door, internal side
- 3 Cabinet assy
- 4 Electric panel
- 5 Hydraulic net system
- 6 Cup dispenser
- 7 Mixer and canister
- 8 Grinder doser unit
- 9 Coffee unit
- 10 Sugar and spoons dispenser
- 11 Instant hydraulic system
- 12 Cabinet
- 13 Pin and connectors





posLbl	Item	Description	Price (Eur)
0001	0V1328	PHOTOGRAPHIC PANEL	0.00
0002	099734	SELECTION PANEL 'FRONT VERSION'	0.00
0003	099557	PRODUCTS LABELS	0.00
0004	099343	LABELS PANEL	0.00
0005	0V1889	DALLMAYR PHOTOGRAFIC PANEL	0.00
0006	0V1810	PHOTOGRAPHIC PANEL 'SELECTA'	0.00
0007	099743	FREE VEND SWITCH	91.20
0008	0V1327	SELECTIONS PANEL EXECUTIVE	42.00
0009	0V0703	STIRRER TAG	0.00
0010	0V3004	PHOTOGRAPHIC PANEL - GNAIGER	0.00
0011	0V2819	PHOTOGRAFIC PANEL - KRAFT	0.00
0012	0V3368	PRICE PLATE - EURO 0,05-	3.36
0013	0V1329	PRODUCT LABELS (FRANCE)	0.00
0014	099621	PRODUCT PLATES	0.00
0015	0V1904	PRICE LABEL 'POLAND'	0.00
0016	0V1912	PRICE LABELS 'POLAND'	0.00
0017	0V1903	PRICE LABELS 'SLOVAKIA'	0.00
0018	0V1913	PRICE LABEL 'SLOVAKIA'	0.00
0019	0V0544	PRODUCT PLATE	0.00
0020	0V3367	PRICE PLATE - EURO 0,01-	3.66
0021	099388	SELECTIONS PANEL	46.80
0022	099559	STIRRING BAR LABELS	0.00
0023	099447	STIRRER LABEL	0.00
0024	099622	PRODUCT PLATES	0.00
0025	099396	PRODUCT LABEL	0.00
0026	099438	STIRRER LABEL	0.00
0027	099558	PRODUCTS LABELS	0.00
0028	099560	STIRRING BAR LABELS	0.00
0029	099685	PLATES PRODUITS'REP. CECA'	0.00
0030	099735	PRODUCT PLATES	0.00
0031	099736	STIRRING BAR-PILLAR	0.00
0032	099376	PRODUCTS LABELS	25.80
0033	0V1319	PRODUCT LABELS FOR BELGIUM (FRENCH)	0.00
0034	0V1320	PRODUCT LABELS FOR BELGIUM (FLEMISH)	0.00
0035	0V0495	PRODUCTS PLATE	0.00
0036	0V0442	PRODUCTS PLATES	0.00
0037	0V1308	PRODUCT LABELS (ARGENTINA)	0.00
0038	0V2623	PORTUGAL' PRODUCT LABELS	0.00
0039	0V1967	SELECTIONS PANEL'SELECTA'(D)	0.00



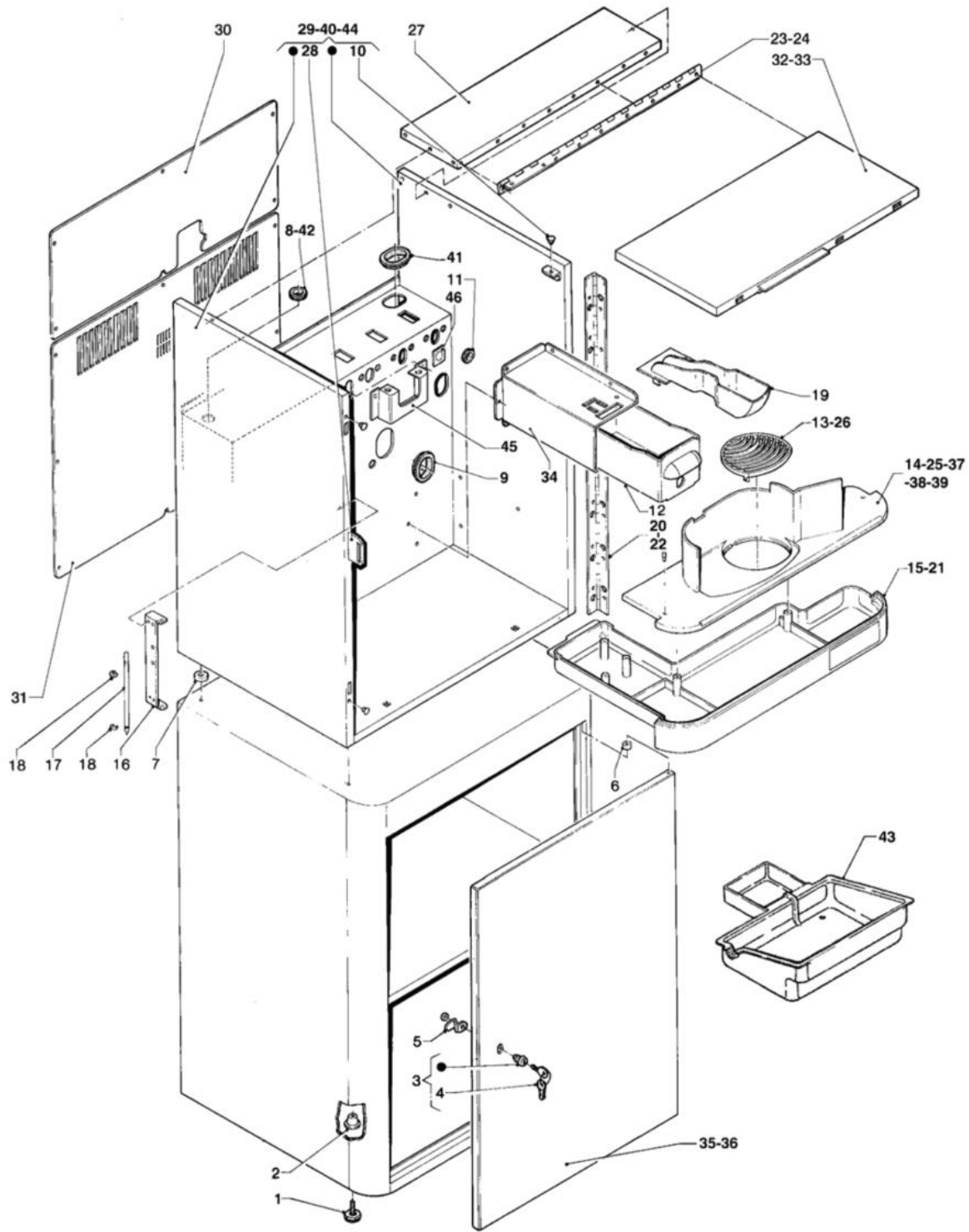


posLbl	Item	Description	Price (Eur)
0001	099339	DOOR	0.00
0002	098303	LOCK TYPE 'N'	42.00
0003	098463	PASSPARTOUT -ROUND LOCK-	6.00
0004	093909	DEAD BOLT	1.15
0005	093829	LEVER LOCK CLIP	0.14
0006	093978	SPRING FOR ACTUATOR	0.62
0007	099346	SHUTTER	12.24
0008	099345	SHUTTER SUPPORT	16.92
0009	099347	PIN FOR SHUTTER	3.18
0010	098818	STOPPING RING D.4	0.12
0011	092738	WEDGE BUMPER	0.86
0012	099360	SLIDE FOR CHANGE	0.00
0013	099359	SHUTTER FOR CHANGE	2.06
0014	094989	SELF-STICKING FIXING	0.92
0015	099399	COMPLETE CHANGE GIVER DEVICE }	18.72
0016	093754	BENZING COLLAR QUICKBLOCK BQ DIAM MM	0.10
0017	099355	CHANGE GIVING PIN	1.74
0018	099356	SPRING FOR CHANGE	0.24
0019	099358	LOWERSLIDE	7.56
0020	099357	UPPER SLIDE	2.52
0021	255033	SELF-TAPPING SCREW 4X10	0.06
0022	0V0765	INTERFACE CARD MDB	144.00
0023	099349	COIN-MECHANISM HOOK	1.44
0024	099352	LUMINOUS INDICATOR 24 VOLT	11.52
0025	099350	SELECTION BUTTON	0.00
0026	099351	ACTIVATOR	2.52
0027	099348	COIN-MECHANISM HINGE	15.84
0028	099344	STOPPERS	0.00
0029	099553	SUPPORT	6.72
0030	0V0906	CATADIOPTRIC PLATE	7.44
0031	250422	EXECUTIVE-MDB/BDVWIRING-BRIO	38.40
0032	099806	STOPPING	2.28
0033	094900	DIODE BRIDGE	8.28
0034	097808	FEEDING BOARD	68.40
0035	097097	FUSE 2 AMP.5X20 DELAYED ACT	0.32
0036	099562	BDV WIRING	56.40
0037	099905	LOCK RIELDA	34.20
0038	097807	BUTTON	2.88
0039	099992	JUG-FACILITIES/FREE/VEND WIRING	13.20
0040	0V0702	DOOR - BLACK -	158.40
0041	0V0696	RECOVERY/CASH CHUTE-BLACK-	0.00
0042	0V0695	BLACK SHUTTER SUPPORT	0.00
0043	0V0694	PLUGS -BLACK-	0.00
0044	099563	LUMINOUS INDICATOR 12 VOLT	5.16



Door, internal side

posLbl	Item	Description	Price (Eur)
0045	0V2454	COMPLETE DOOR BRIO EXECUTIVE	1,680.00
0046	0V1365	EXECUTIVE-MDB WIRING	0.00
0047	0V0904	COIN MECHANISM SUPPORT	39.00
0048	0V1664	COIN MECH SUPPORT STRENGTHENING	15.48
0049	099377	STIRRING BAR LABELS	10.32
0050	0V2608	STIRRER TAG BLACK	0.00
0051	0V3005	STIRRER LABEL - GNAIGER	0.00
0052	250630	DOOR GUIDE	0.00
0053	250894	PHOTOCELL - UL -	136.80
0054	099738	PHOTOELECTRIC CELL	144.00
0055	0V1417	STIRRING BAR LABELS 'BLACK'	0.00
0056	099686	STIRRING BAR LABELS	0.00
0057	0V2713	13 V. 1 AMP ADJUSTMENT BOARD	54.00
0058	0V3542	SMILE PAYMENT SYSTEM WIRING	0.00



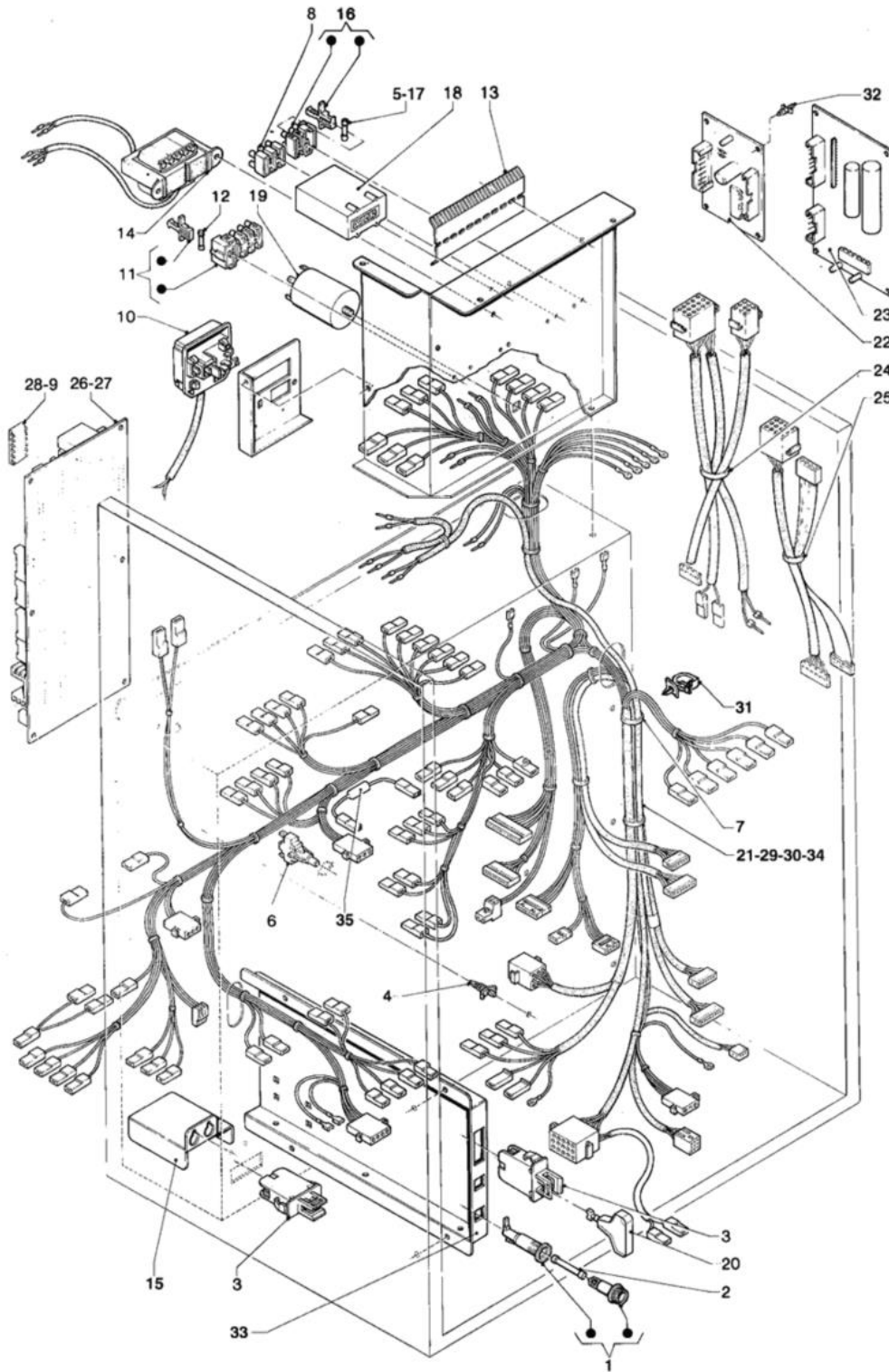


Cabinet assy

posLbl	Item	Description	Price (Eur)
0001	096244	LITTLE FEET	0.89
0002	097861	THREADED CONNECTOR	0.55
0003	094814	LOCK PREFER 'V000' SELECTED CLOSING TIME	30.60
0004	091116	KEY TYPE 'V'	4.26
0005	098551	BOLT	0.76
0006	094548	SPACER	8.28
0007	096988	WASHER	0.05
0008	090020	WHIPPING MM 16	0.78
0009	093916	WHIPPING OVAL	0.34
0010	098759	RUBBER BUFFER	0.22
0011	093312	WHIPPING DIAM MM 12 ART 46	0.24
0012	099320	COIN-BOX	13.92
0013	099325	GRILL	14.40
0014	099326	DELIVERY AREA	0.00
0015	099324	LIQUIDS TRAY	0.00
0016	099372	HINGE	6.96
0017	099373	SHELF PIN	0.00
0018	091959	BENZING COLLAR DIAM MM4	0.04
0019	099482	CHUTE	8.28
0020	099340	DOOR HINGE	0.00
0021	0V0693	TRAY	46.80
0022	0V0711	DOOR HINGE -BLACK	0.00
0023	099902	HINGE	17.28
0024	0V0710	MACHINE TOP HINGE (BLACK)	16.92
0025	0V0701	DELIVERY AREA 'BLACK'	0.00
0026	0V0697	DISPENSING OPENING GRID-BLACK-	7.20
0027	0V1154	REAR TOP	0.00
0028	0V0379	LATCH BOLT PLATE	11.04
0029	0V0766	CABINET	0.00
0030	0V0951	UPPER COVER	0.00
0031	0V3613	EXPRESS REAR COVER	29.40
0032	099901	TOP	0.00
0033	0V2762	BLACK CABINET MACHINE TOP	33.00
0034	0V2297	COIN BOXLID	22.68
0035	0V1731	DOOR CABINET	70.80
0036	0V2958	DOOR CABINET (BLACK)	0.00
0037	0V1416	DELIVERY AREA 'BLACK'	0.00
0038	099418	DISPENSING DEVICE	0.00
0039	099556	DELIVERY AREA	0.00
0040	0V4166	INSTANT CABINET -GREY-	0.00
0041	098600	CHOCK	0.71
0042	090021	WHIPPING DIAM 12.9 MM	0.35
0043	0V0178	CONTAINER	50.40
0044	0V2915	CABINET - "BLACK"	0.00

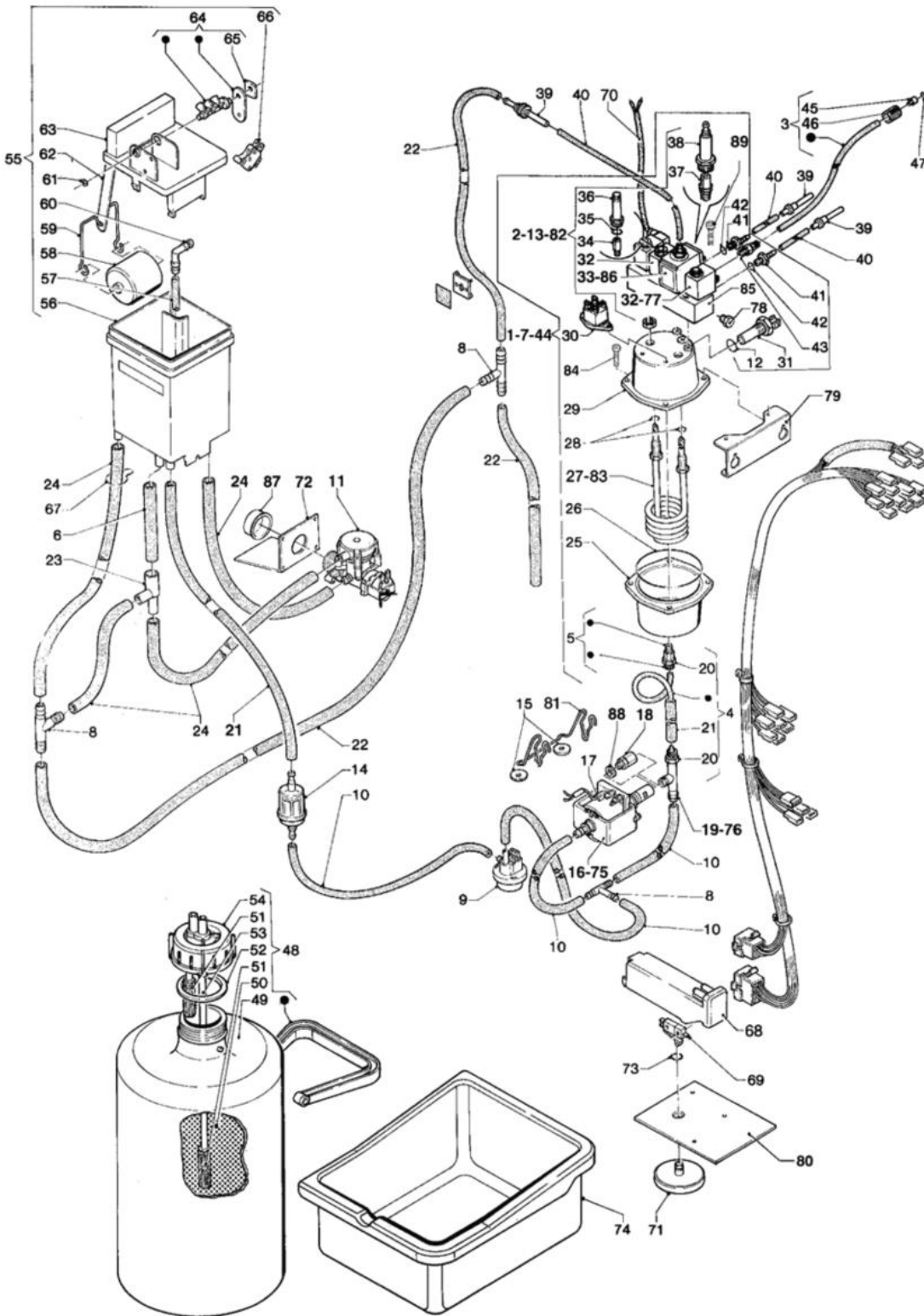


posLbl	Item	Description	Price (Eur)
0045	0V2802	GRINDER SUPPORT	2.10
0046	097886	STOPPER	0.00





posLbl	Item	Description	Price (Eur)
0001	098794	FUSE-HOLDER	2.52
0002	094907	QUICK FUSE 10A	0.58
0003	097796	SWITCH	11.28
0004	093984	GUIDE SPACER	0.19
0005	250425	FUSE T 250 mA 5X20	0.60
0006	097898	UNIPOLAR BUTTON	3.90
0007	090148	CLIP	0.05
0008	986053	TERMINAL BOARD	0.77
0009	095004	EPROM 512K(TO BE PROGRAMMED)	13.68
0010	098796	TERMINAL BOARD	3.72
0011	098793	5P TERMINAL BOARD WITH FUSE-HOLDER	4.14
0012	097097	FUSE 2 AMP.5X20 DELAYED ACT	0.32
0013	097242	SUB-TERMINAL BOARD	1.56
0014	250420	TRASFORMER G40 230/15-24 VOLT	55.20
0015	250797	MICROSWITCH PROTECTION	4.44
0016	097241	3-POLE TERMINAL BOARD W/CARRIER	3.48
0017	097103	FUSE 1,25A 5X20 DELAYED ACTION	0.34
0018	0V2470	WIRED SCALER12 VOLT	27.00
0019	0V3512	ELECTRICAL NET FILTER	16.92
0020	0V1654	SWITCH KEY	0.94
0021	099676	GENERAL WIRING	183.60
0022	098943	STABILIZER BOARD 24V	0.00
0023	098936	COIN-MECH.-BOARDEXECUTIVE	15.84
0024	250423	EXECUTIVE WIRING	39.60
0025	099370	COIN VERIFIER WIRING	0.00
0026	0V1960	CPU/REALISATION BOARD	258.00
0027	0V1858	PLUS CPU/REALISATION BOARD	282.00
0028	099982	1024K-EPROM (TO BE PROGRAMMED)	17.64
0029	099419	MAIN WIRING ASSEMBLY	0.00
0030	0V0175	GENERAL WIRING	0.00
0031	098459	WIRE-CLIP	0.36
0032	097175	CARD SPACER	0.22
0033	099886	SWITCH SUPPORT -IN-	0.00
0034	0V0174	GENERAL WIRING - INSTANT -	0.00
0035	0V0719	DIODE	1.39



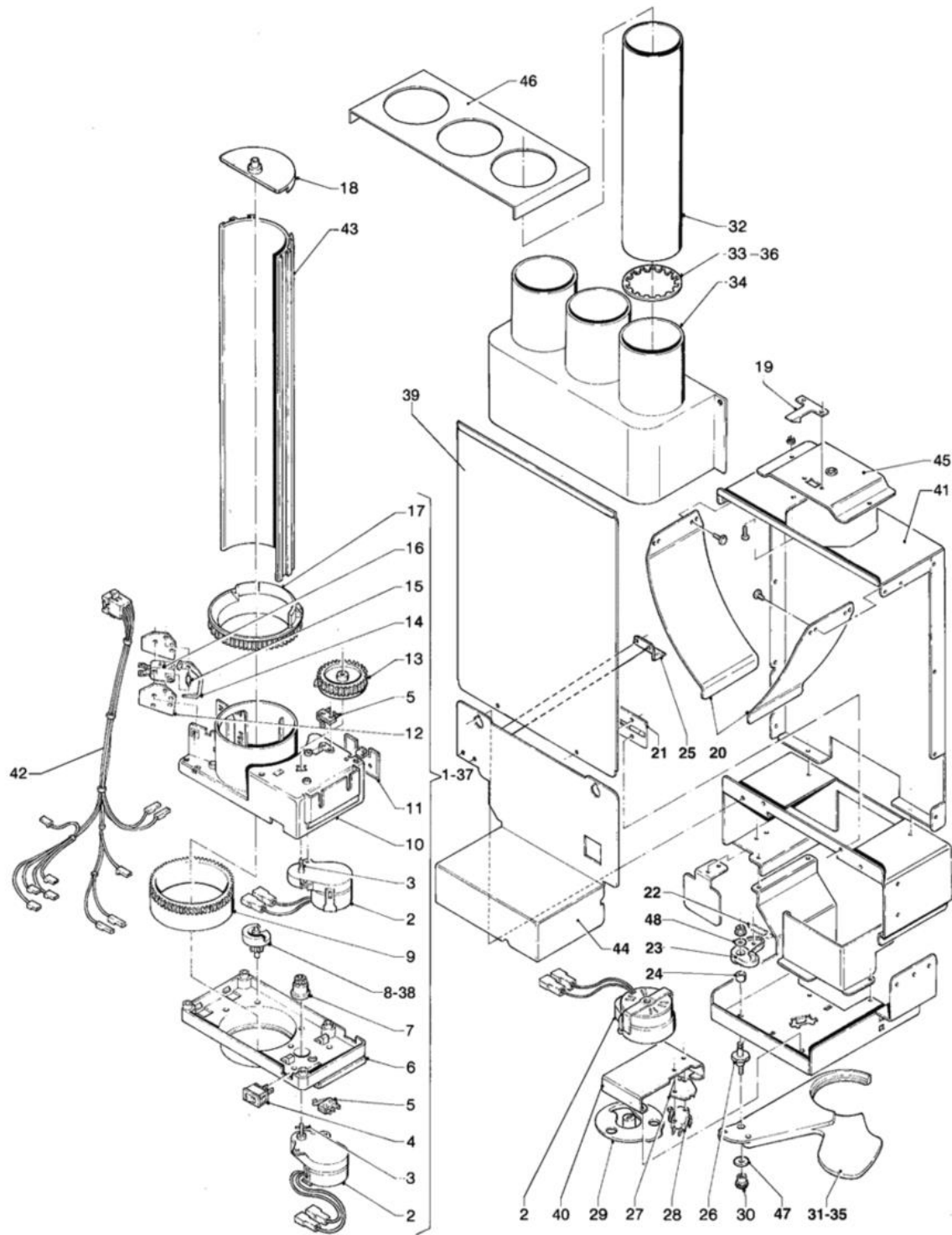
posLbl	Item	Description	Price (Eur)
0001	0V0845	220V-60HZ COFFE BOILER	294.00
0002	098761	2+3+2 WAYS ELECTROVALVES GROUP	90.00
0003	099400	PLUNGER TUBE	16.92
0004	099398	PUMP ACTIVATING TUBE	15.48
0005	098758	STRAIGHT UNION	8.28
0006	097515	SILICONE HOSE 10X16 BROWN	7.20
0007	0V1676	1450W/4 ELECTRIC VALVE COFFEE BOILER	306.00
0008	094231	UNION T-SHAPE	0.79
0009	098707	VOLUMETRIC COUNTER D.1,8	18.00
0010	097510	SILICONE HOSE 5X9 BROWN	3.06
0011	097383	ELECTROVALVE WATER-INLET 220V-2,5L/MIN-	13.44
0012	095624	GASKET O-RING 116 EP851	0.20
0013	098761	2+3+2 WAYS ELECTROVALVES GROUP	90.00
0014	097435	WATER FILTER VOLUMETRIC COUNTER	5.88
0015	093091	PUMP DAMPER	0.10
0016	0V0465	PUMP 220V - 60 HZ	36.00
0017	098815	90 DEGREESTHERMIC PROTECTION	13.92
0018	099101	NO-RETURN VALVE	9.84
0019	0V0493	BY-PASS PUMP -4 BAR-	13.44
0020	099107	NUT	0.84
0021	097685	SILICONE HOSE BROWN 7,5X12	4.08
0022	097511	SILICONE HOSE 6X9BROWN	2.52
0023	094185	CODENSE RECOVERY UNION	0.98
0024	097512	SILICONE HOSE 6X12 BROWN	5.04
0025	098641	LOWER BOILER-COVER	34.80
0026	098701	GASKET	1.18
0027	098645	HEATING-ELEMENT	31.20
0028	254711	GASKET O-RING112 2.62X9.92	0.41
0029	098640	UPPER BOILER-COVER	41.40
0030	0V1318	125 DEGR. THERMOSTAT	14.16
0031	094872	BOILER TEMPERATURE PROBE	14.88
0032	099056	INSTANTS COIL	12.96
0033	0V0917	3 WAY ELECTROVALVE 60 HZ COIL	18.36
0034	099058	NUCLEUS INSTANT-E.V.	8.52
0035	099059	VALVE-BUSH-GASKET	0.54
0036	0V1953	INSTANT-ELECTROV. CONNECTION PIPE	16.92
0037	097472	3-WAY ELECTROVALVE NUCLEUS -VITON-	10.32
0038	099105	COFFEE-ELECTROV. CONNECTION PIPE	19.80
0039	099329	FUNNEL NOZZLE D. 3.4	0.60
0040	097529	SILICONE HOSE 3X6 BROWN	1.44
0041	099012	RUBBERHOLDER UNION	4.08
0042	094594	GASKET O-RING 2031	0.08
0043	0V1434	STRAIGHT UNION	3.60
0044	099258	1000W/3 ELECTRIC VALVE COFFEE BOILER	282.00



posLbl	Item	Description	Price (Eur)
0045	098711	BUSH PISTON PIPE	0.96
0046	098699	UNION FOR PISTON PIPE	1.78
0047	094611	GASKET O-RING 2018	0.06
0048	094124	DEPURATOR COMPLETE	120.00
0049	094124	DEPURATOR COMPLETE	120.00
0050	091995	RESIN DEPURATOR 5 LITRES	41.40
0051	091993	DEPURATOR FILTER	2.64
0052	092942	DEPURATOR COVERING GASKET	1.18
0053	094127	WATER OUTLET PIPE	3.36
0054	094126	DEPURATOR LID	5.40
0055	098250	AIR-BREAK COMPLETE	37.20
0056	094115	AIR BREAK CASE	6.36
0057	094330	HOSE POLYTHENE MM 6X9	3.42
0058	094120	FLOAT	7.68
0059	094118	FLOAT ARM	2.88
0060	094571	UNION 90 DEGREES	0.46
0061	091959	BENZING COLLAR DIAM MM4	0.04
0062	094119	CONNECTING ROAD	1.15
0063	094116	AIR-BREAK LID	4.20
0064	094933	CONTROL DEVICE MICRO AIR-BREAK	5.64
0065	094128	GRIP CLIP	0.24
0066	0V1929	MICRO 'UL' FOR AIR-BREAK	4.80
0067	092703	TUBE CLAMP	0.44
0068	0V1350	MICROSWITCH SUPPORT	3.60
0069	0V1930	MICROSWITCH 'UL'	4.20
0070	0V1679	ADDITIONAL WIRING	0.00
0071	0V1750	TRAY FLOAT	2.17
0072	099436	ELECTROVALVE SUPPORT	1.74
0073	095623	GASKET O-RING 119 EP851	0.18
0074	099327	COFFEE GROUNDS TRAY	17.64
0075	098760	PUMP (VIBRATION)	19.08
0076	098764	BY-PASS PUMP (12 BAR)	15.84
0077	0V0918	2 WAY ELECTROVALVE 60 HZ COIL	15.48
0078	0V1600	CAP WITH O-RING	0.76
0079	0V0192	BOILER SUPPORT	2.52
0080	099801	SUPPORT	0.00
0081	0V0191	POMPE SUPPORT	4.92
0082	258747	4 2+2+3+2-WAY 230V 50HZ SOLENOID ASSEMBLY -SLEEVES 316-	132.00
0083	099653	HEATING ELEMENT 1450 W	34.80
0084	255043	SCREW M5X20	0.08
0085	0V2458	MONOBLOC BRASS 3 ELECTROVALVES	51.60
0086	099057	ELECTROV.-COIL 220/230 VOLT	14.88
0087	099815	STOPPER	0.14
0088	251143	ALUMINIUM WASHER	0.14



posLbl	Item	Description	Price (Eur)
0089	255045	SCREW M4X25 -INOX-	0.13



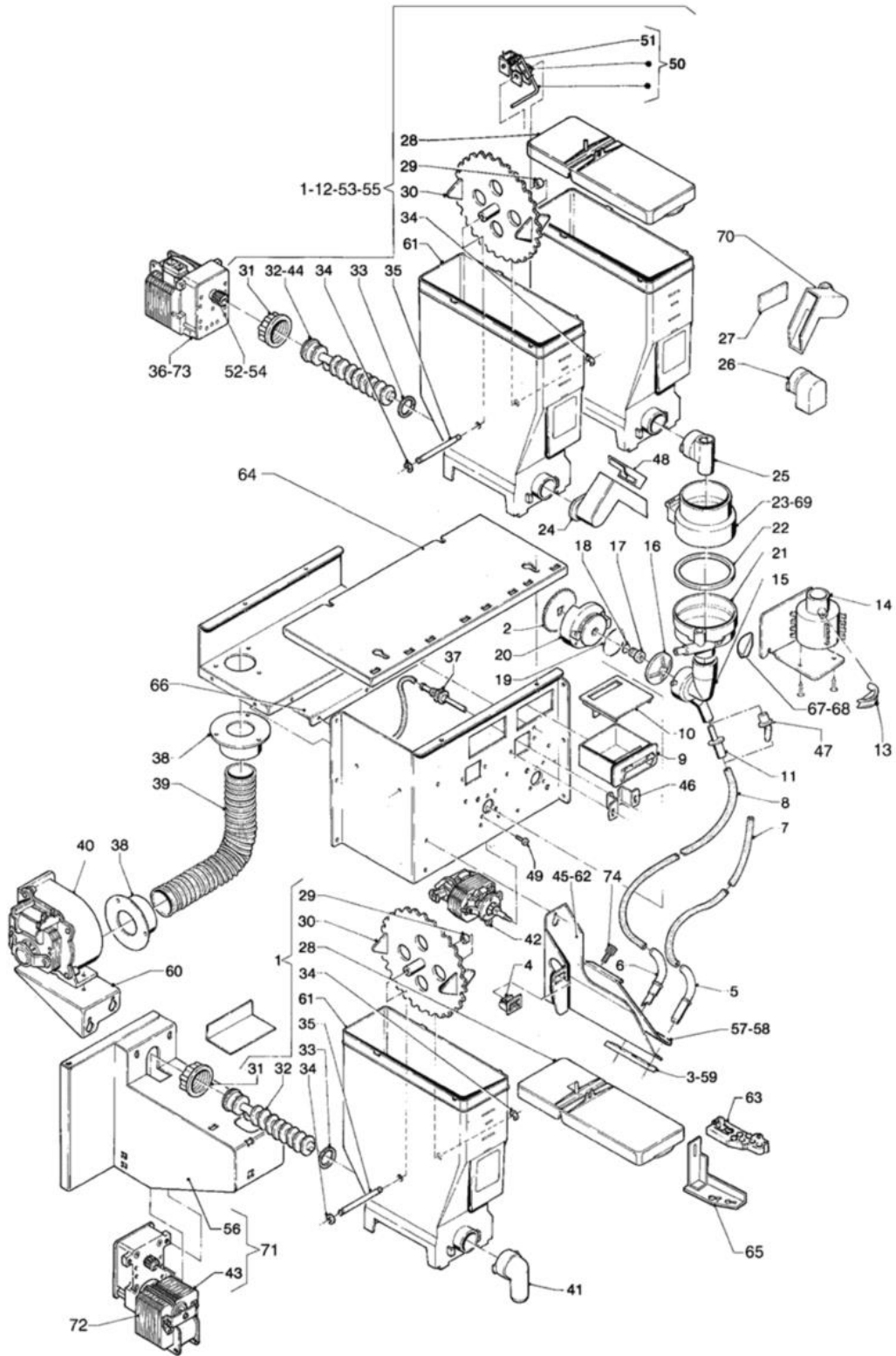


Cup dispenser

posLbl	Item	Description	Price (Eur)
0001	099364	CUPS DISTRIBUTOR	0.00
0002	099397	MOTOR REDUCTOR 6G/1 MIN.	37.20
0003	098530	PLUG 1X8	0.00
0004	097807	BUTTON	2.88
0005	0V1928	MICRO-SWITCH 'UL'	4.26
0006	098473	LOWER SHELL	7.92
0007	098476	PINION	1.10
0008	098305	SCROLL DIAM.70/71	0.58
0009	098477	TOOTHED RING	2.14
0010	098474	UPPER SHELL	14.64
0011	098475	SHUTTER	1.78
0012	092984	MICRO SUPPORT DISK	0.61
0013	095887	PINION	4.26
0014	092982	MICRO LEVER	0.38
0015	093419	MICRO DRIVE LEVER PIVOT	0.37
0016	092439	MICRO TYPE 'CHERRY'	2.40
0017	095888	TURNABLE SUPPORT	6.84
0018	099362	COLUMN PIN	2.40
0019	099349	COIN-MECHANISM HOOK	1.44
0020	099363	SPRING	0.00
0021	095968	HINGE UPPER COVERING	4.14
0022	093978	SPRING FOR ACTUATOR	0.62
0023	099367	CRANK	2.24
0024	099365	COMPASS	0.00
0025	099567	SUGAR POWDER PROTECTION	0.00
0026	099368	PIN	5.40
0027	090681	INSULATING DISK.	0.29
0028	0V1927	MICROSWITCH 'UL'	4.14
0029	099369	CAM	1.92
0030	093828	KNURL	0.73
0031	099366	OSCILLATING ARM 70-71	7.20
0032	099415	CUP COLUMN	5.88
0033	099417	RELEASE RING 70-71	0.00
0034	099416	SUPPORT	0.00
0035	099555	OSCILLATING ARM 73-74	9.84
0036	099673	RELEASE RING 73-74	0.00
0037	099561	CUPS DISTRIBUTOR D.73/74	0.00
0038	0V1659	SNAIL W/DIAM. 73-74	1.44
0039	0V0718	COVERING	0.00
0040	0V1571	MOTOREDUCER SUPPORT	0.00
0041	0V1663	CUP COMPARTMENT	0.00
0042	0V1160	WIRING	0.00
0043	0V1886	SIDEWALL OF TURNABLE PILLAR	0.00
0044	0V1921	COVERING	15.84



posLbl	Item	Description	Price (Eur)
0045	0V1934	CENTERING SQUARE	0.00
0046	0V2243	CUP TUBE GUIDE	0.00
0047	096863	PIVOT WASHER	0.30
0048	092161	WASHER MM 6,4X130,6	0.13





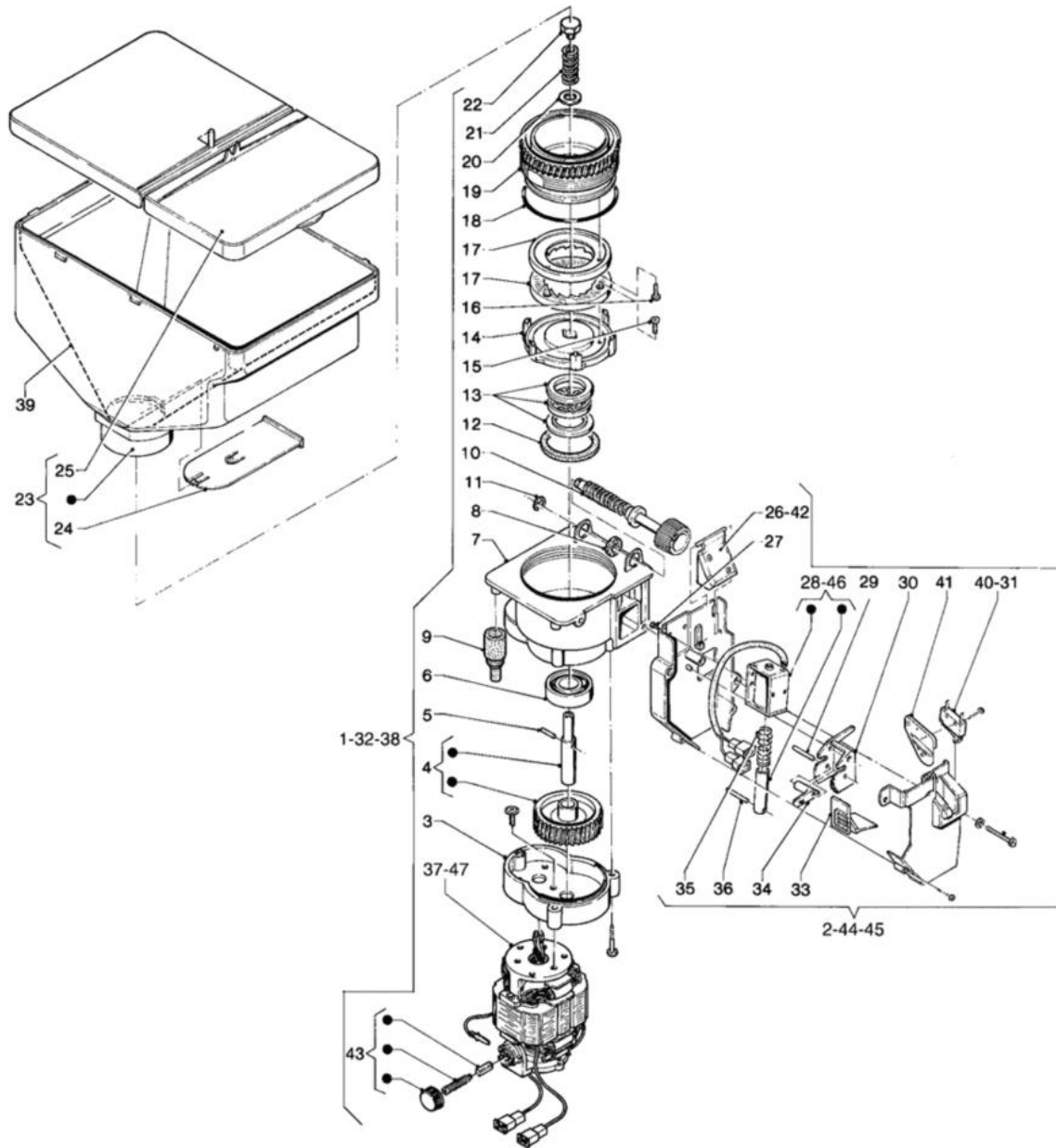
Mixer and canister

posLbl	Item	Description	Price (Eur)
0001	099335	POWDERS CANISTER LONG SCROLL	15.48
0002	099889	DISK	0.56
0003	099328	NOZZLES SUPPORT	1.18
0004	094026	FEMALE CLIP	1.10
0005	097922	NOZZLE	1.08
0006	097953	POINTED NOZZLE	1.20
0007	097510	SILICONE HOSE 5X9 BROWN	3.06
0008	097511	SILICONE HOSE 6X9BROWN	2.52
0009	099330	POWDERS DRAWER	1.30
0010	099331	DRAWER LID	1.27
0011	097914	COFFEE CHOKE	0.90
0012	099334	POWDERS CANISTER	15.12
0013	251295	COIL UNION FOR TEA	1.06
0014	097923	COIL FOR TEA	2.58
0015	097912	CONVEYOR FOR MIXER	1.81
0016	097916	MIXER VENTILATOR	3.00
0017	097917	BUSH SEAL	5.88
0018	099880	GASKET	0.18
0019	094540	GASKET O-RING 3125	0.58
0020	097911	FLANGE FOR MIXER	1.10
0021	098191	WATER-FUNNEL CUT	2.17
0022	097523	DEFLECTOR RING MIXER BROWN	0.90
0023	097520	POWDER INLET FUNNEL BROWN	1.20
0024	099102	RIGHT POWDERS CONVEYOR	2.40
0025	098939	ROUND STRAIGHT PIPETTE	1.25
0026	096868	SQUARE STRAIGHT PIPETTE	2.03
0027	097502	NAMEPLATE GROUP CONTAINER INSTANT P	1.46
0028	099466	LID FOR CONTAINER	1.67
0029	098812	SPACER	0.25
0030	095936	WHEEL	2.88
0031	095849	CONTAINER RING NUT	0.58
0032	098609	LONG SCROLL	2.58
0033	095829	GASKET O-RING	0.70
0034	091959	BENZING COLLAR DIAM MM4	0.04
0035	0V1962	PIN FOR WHEEL	0.49
0036	251917	45 RPM 230V REDUCTION GEARMOTOR	80.40
0037	099329	FUNNEL NOZZLE D. 3.4	0.60
0038	098703	VENTILATOR PIPE CONNECTION D38	1.54
0039	096459	HOSE DIAM 32	7.56
0040	098583	ELECTROVENTILATOR -230V 50HZ-	31.20
0041	099814	PIPETTE	2.64
0042	098808	MOTORMIXER	35.40
0043	098807	MOTORDOSER 65 G.	80.40
0044	098608	LONG SCROLL	2.28



Mixer and canister

posLbl	Item	Description	Price (Eur)
0045	0V0909	GUIDE SUPPORT	0.00
0046	0V1885	NOZZLE SUPPORT	1.60
0047	097913	ELBOW FOR MIXER	1.37
0048	099803	LONG CONVEYOR COVER	1.22
0049	255046	SCREW M3,5X8	0.10
0050	099494	CANISTER-BEATER	20.16
0051	099442	SPRING	0.80
0052	099882	PINION (FOR SMALL SHAFT)	1.85
0053	099857	CONTAINER COMPLET WITH BEATER	25.20
0054	0V0943	PINION (FOR MAIN SHAFT)	1.99
0055	0V0555	LONG SCROLL CONTAINER WITH BEATER	24.00
0056	0V1665	SUGAR BRACKET	0.00
0057	0V1737	4-NOZZLE GUIDE	13.44
0058	0V0908	GUIDE	4.50
0059	0V1738	4-NOZZLE SUPPORT	0.00
0060	0V1935	VENTILATOR SUPPORT	21.24
0061	0V2277	CONTAINER CASING	6.48
0062	0V1964	SPOUT SUPPORT	0.00
0063	098067	SUPPORT FOR INSTANT NOZZLES	3.18
0064	099507	HOLDER CONTAINER	0.00
0065	250444	SPOUT SUPPORT -INSTANT-	24.00
0066	099896	PROTECTION	0.00
0067	096926	WATER FUNNEL DEFLECTOR	2.06
0068	097522	WATER FUNNEL DEFLECTOR BROWN	0.24
0069	097525	POWDER INLET FUNNEL CUT BROWN	9.84
0070	098813	LEFT CONVEYOR L=55	2.64
0071	0V0889	SUGAR BRACKET	0.00
0072	098715	MOTORDOSER 45 G.	81.60
0073	251918	65 RPM 230V REDUCTION GEARMOTOR	70.80
0074	096977	KNURL	1.03





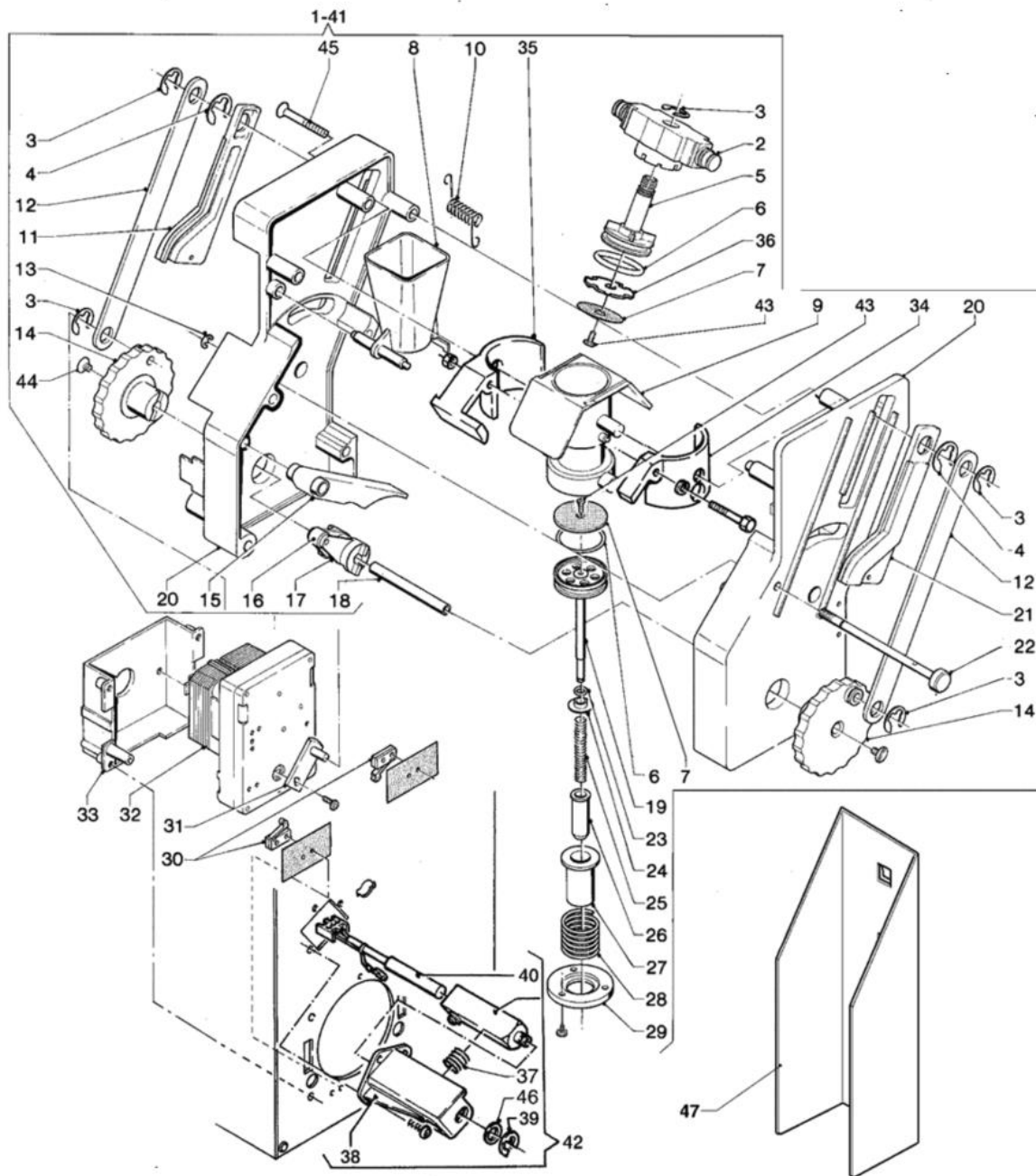
Grinder doser unit

posLbl	Item	Description	Price (Eur)
0001	099336	GRINDER	169.20
0002	099337	COFFEE DOSER	75.60
0003	099468	SUPPORT	4.08
0004	099470	SHAFT WHEEL	8.16
0005	098293	ELASTIC PLUG	0.14
0006	095803	RADIAL BEARING	6.12
0007	099469	CAP	8.28
0008	099457	WASHER	0.80
0009	099484	LITTLE RUBBER	0.44
0010	099474	REGULATION SCREW	2.76
0011	093171	OUTER FIXING COLLAR DIAM MM6	0.05
0012	093271	COFFEE JUNK RING .	1.46
0013	093187	THRUST BEARING	7.20
0014	095802	GRINDER HOLDER IMPELLER	10.56
0015	255032	TREFOIL SCREW M4X10	0.06
0016	255033	SELF-TAPPING SCREW 4X10	0.06
0017	095840	GRINDER	15.84
0018	095805	GASKET O-RING	0.32
0019	099473	GRINDER HOLDER	7.80
0020	096988	WASHER	0.05
0021	099471	SPRING	1.10
0022	099472	LEFT SCREW	1.22
0023	099338	COFFEE CANISTER	34.20
0024	098630	ROLL-UP FOR CONTAINER	1.78
0025	099476	COVER	7.68
0026	099475	ACTUATOR	0.26
0027	092657	CLOSS SLOT SCREW 3X6TC .	0.05
0028	098716	ELECTROMAGNET 220V	39.60
0029	098822	PIN FOR LEVER	0.44
0030	098642	SHUTTER COFFEE-DOSER	1.25
0031	0V2131	BURGESS MICRO-SWITCH	3.30
0032	0V0448	GRINDER 60 HZ	180.00
0033	098643	RULE COFFEE-DOSES	0.86
0034	098644	LEVER FOR RULE	0.44
0035	098696	SPRING DOSER ELECTROMAGNET	0.30
0036	093832	ROD PIVOT	0.42
0037	0V0451	GRINDER MOTOR 60 HZ	76.80
0038	0V0491	THE GRINDER	0.00
0039	0V0494	THE CONVEYOR	0.00
0040	0V1105	MICROSWITCH	3.84
0041	0V2082	ADAPTER PLATE	1.92
0042	0V1349	MICROSWITCH ACTUATOR	0.00
0043	0V3229	MOTORBRUSH KIT	1.03
0044	099337	COFFEE DOSER	75.60



Grinder doser unit

posLbl	Item	Description	Price (Eur)
0045	0V0490	THE DOSER	0.00
0046	098716	ELECTROMAGNET 220V	39.60
0047	099732	GRINDER MOTOR	66.00

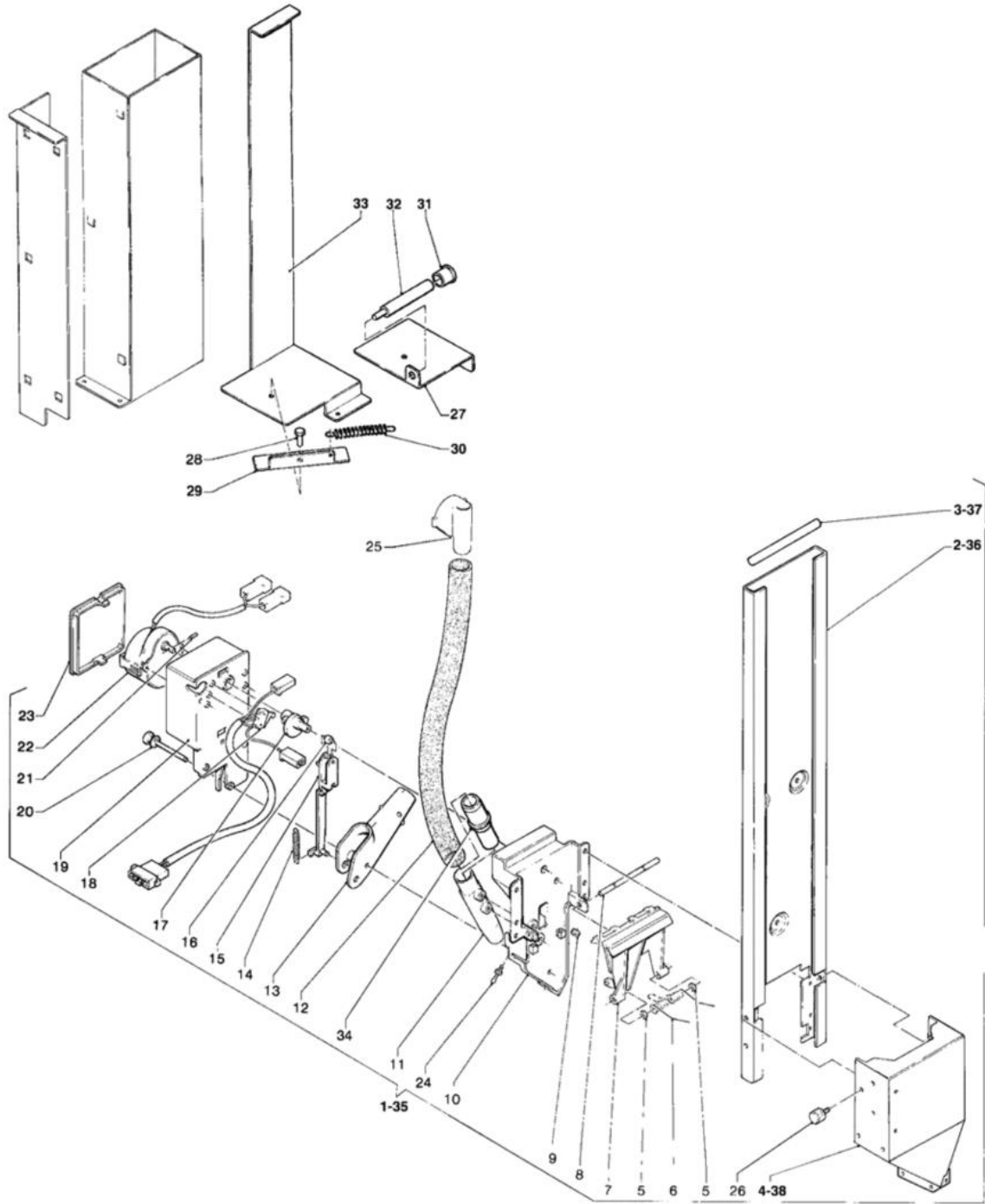




posLbl	Item	Description	Price (Eur)
0001	252506	Z3000 WITH HEATER(OPEN DURING STAND-BY POSITION)	141.60
0002	098568	CROSS-BAR	4.44
0003	092717	FIXING COLLAR DIAM MM10	0.48
0004	096569	FIXING COLLAR DIAM 12	0.68
0005	098577	UPPER PISTON	4.26
0006	093167	SILICONE GASKET OR 4118.	0.92
0007	098687	COFFEE FILTER	3.24
0008	098570	COFFEE CHUTE	2.88
0009	0V1715	BREWING CHAMBER W/PLUG	9.36
0010	098920	SCRAPER	1.27
0011	098571	REAR SLEDGE	1.88
0012	098565	TRACE FOR PISTON COMMAND	3.12
0013	098818	STOPPING RING D.4	0.12
0014	098573	CRANK	2.94
0015	098575	OSCILLATING LEVER	3.00
0016	098692	ROTATING LEVER ROLL	1.27
0017	098574	ROTATING LEVER	2.03
0018	098693	ROD CRANK BLOCKING	1.96
0019	099490	LOWER PISTON	6.48
0020	0V1714	FRONT AND REAR SHOULDER	36.00
0021	098572	FRONT SLEDGE	1.88
0022	098694	ROD WITH KNURL	8.52
0023	090421	GASKET OR 2025	0.26
0024	098690	CONTROL BUSH	1.01
0025	098688	PISTON RETURN SPRING	1.15
0026	098691	LOWER PISTON GUIDE	2.06
0027	098567	LID FOR SPRING	0.90
0028	098689	PREINFUSION SPRING	1.74
0029	098569	FLANGE FOR SPRING	1.74
0030	096355	MICRO SWITCH -UL -	4.20
0031	098763	CRANK WITH PIN	3.66
0032	098708	MOTOREDUCER	87.60
0033	098566	MOTOREDUCER SUPPORT	3.96
0034	0V1784	FRONT PANEL	4.44
0035	0V1785	REAR PANEL	5.40
0036	0V1789	WATER DEFLECTOR	0.64
0037	0V1788	CONTACT SPRING	0.22
0038	0V1787	SUPPORT	3.12
0039	987948	LOCKING WASHER	0.26
0040	0V1786	25 WATT 110/265 V RESISTOR	39.60
0041	251687	COFFEE-GROUP Z3000	144.00
0042	0V1783	HEATER WITH SUPPORT	74.40
0043	255047	SCREW M3X10 -INOX-	0.05
0044	0V3889	SCREW 6X14	0.19



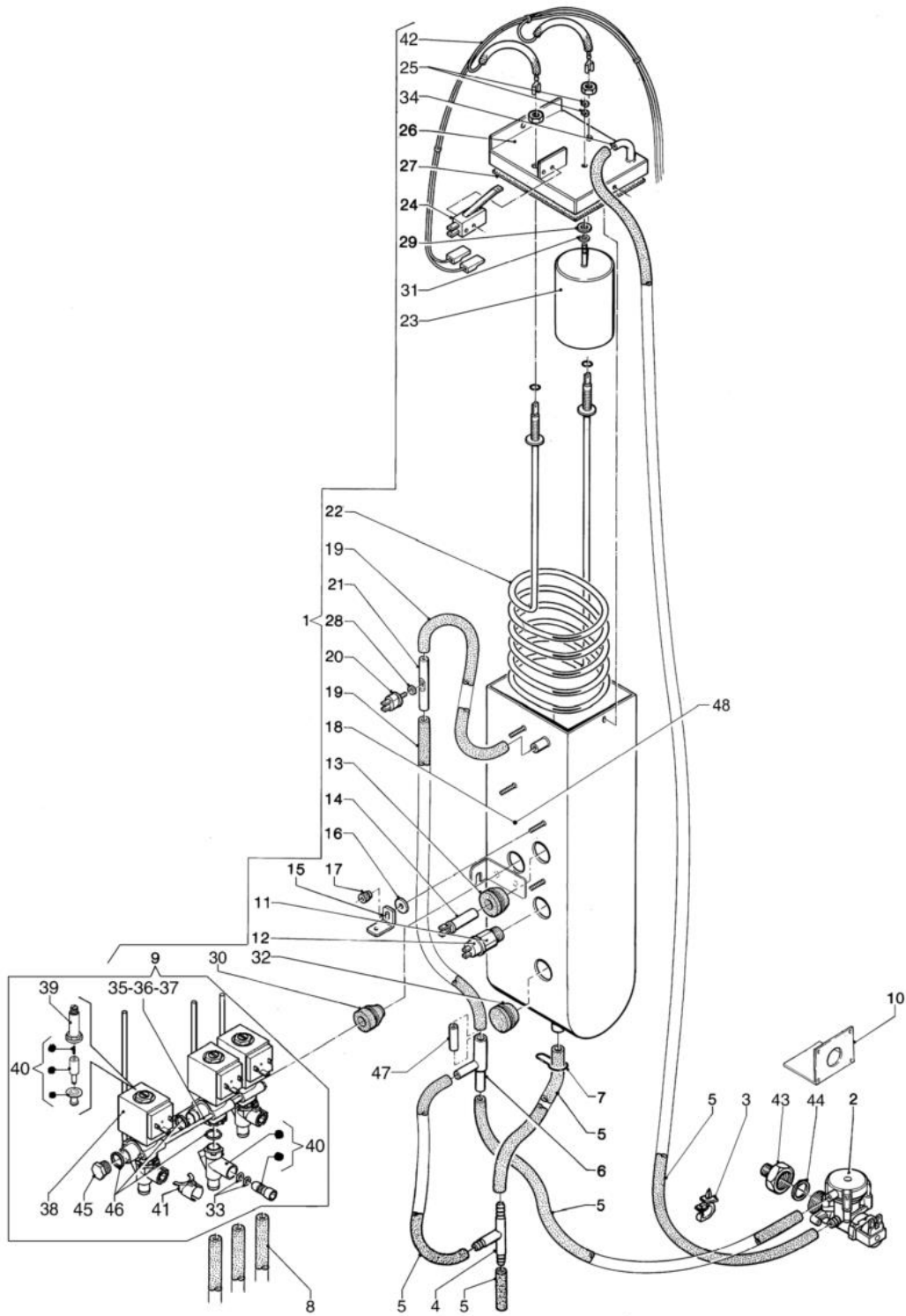
posLbl	Item	Description	Price (Eur)
0045	255031	SELF-TAPPING SCREW 4,2X26	0.12
0046	251143	ALUMINIUM WASHER	0.14
0047	0V0944	DOSE CHUTE	15.48





Sugar and spoons dispenser

posLbl	Item	Description	Price (Eur)
0001	099790	SUGAR/STIRRING DISPENSER'MOTOR'	190.80
0002	099672	STIRRING-BAR PILLAR 105 MM	0.00
0003	090203	STIRRER BAR WEIGHT L=95	1.67
0004	098631	CHUTE FOR STIRRING	5.04
0005	091959	BENZING COLLAR DIAM MM4	0.04
0006	099602	SPRING	2.10
0007	099610	LEVER	3.06
0008	098352	STIRRING BARS EJECTING PIN	1.60
0009	098853	PASS-WIRE	0.50
0010	099607	BODY	4.62
0011	098356	SUGAR PIPE	4.26
0012	098719	PVC PIPE 14X19(A METER)	2.52
0013	099721	SUGAR NOZZLE	3.30
0014	099616	SPRING	1.20
0015	099605	ROD	0.88
0016	099604	ROLLER	1.30
0017	099606	CAM	0.98
0018	096355	MICRO SWITCH -UL -	4.20
0019	099608	SUPPORT	4.02
0020	0V2949	SUGAR SPOUT PIN	0.58
0021	096904	ELASTIC PLUG 1,5X8	0.58
0022	099397	MOTOR REDUCTOR 6G/1 MIN.	37.20
0023	099609	COVER	0.94
0024	094159	FIXING PLUG	1.22
0025	099814	PIPETTE	2.64
0026	096977	KNURL	1.03
0027	099413	STIRRER GUIDE	0.00
0028	099420	PIN	0.00
0029	099414	EJECTOR LEVER	0.00
0030	093978	SPRING FOR ACTUATOR	0.62
0031	099350	SELECTION BUTTON	0.00
0032	099488	ACTIVATOR	0.00
0033	099411	STIRRER CLOUMN	0.00
0034	099375	HOSE COUPLING	0.65
0035	099737	SUGAR/PILLAR DISPENSER	0.00
0036	099807	STIRRING-BAR PILLAR	0.00
0037	099720	STIRRER BAR WEIGHT L=105	1.60
0038	0V3022	STIRRER CHUTE	3.30

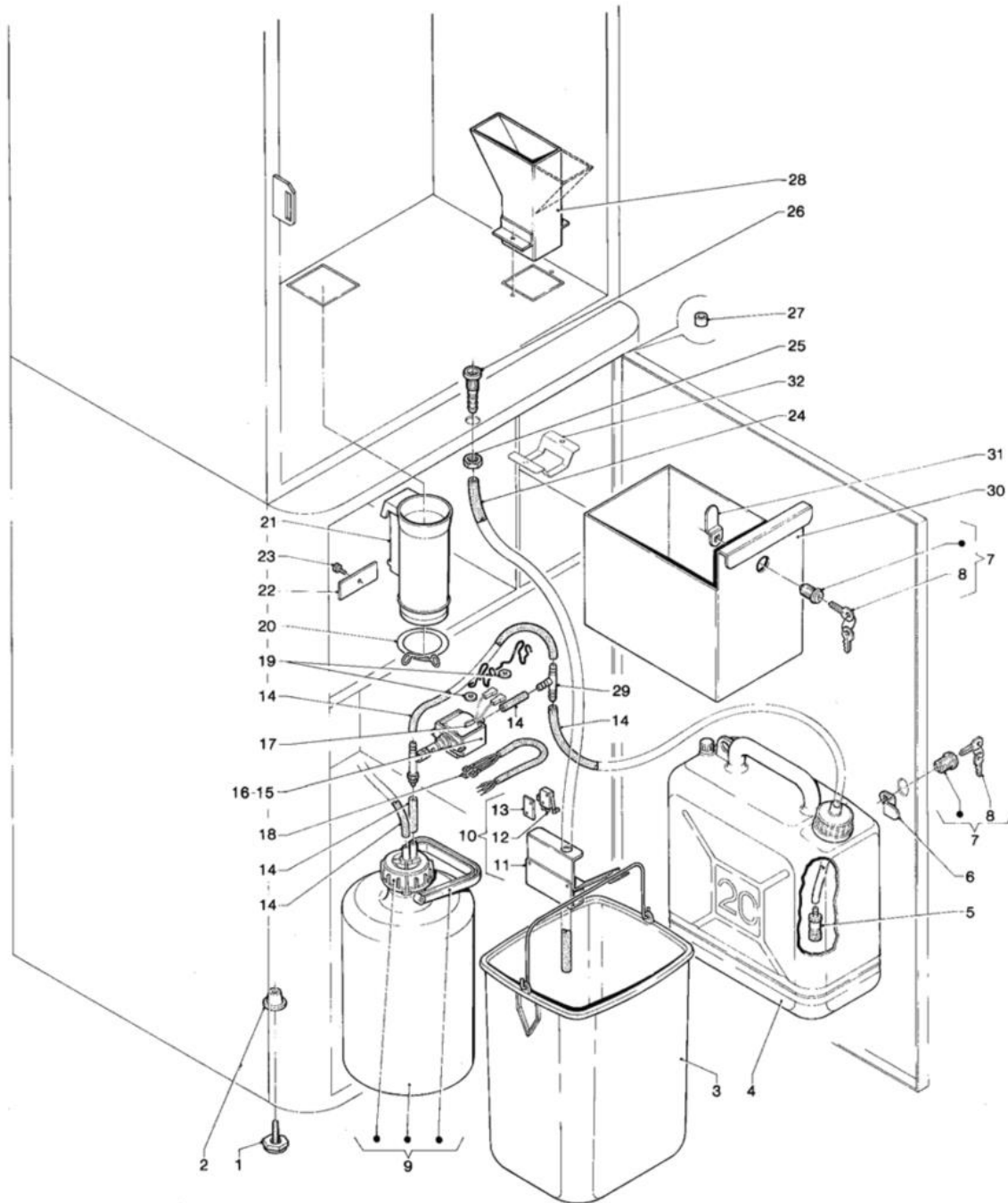


posLbl	Item	Description	Price (Eur)
0001	099991	INSTANT-BOILER COMPLET	540.00
0002	097383	ELECTROVALVE WATER-INLET 220V-2,5L/MIN-	13.44
0003	098484	HOSE FIXING	0.18
0004	096552	UNION T-SHAPE	0.54
0005	097512	SILICONE HOSE 6X12 BROWN	5.04
0006	094185	CODENSE RECOVERY UNION	0.98
0007	092703	TUBE CLAMP	0.44
0008	097510	SILICONE HOSE 5X9 BROWN	3.06
0009	099995	3 ELECTROVALVES GROUPE	132.00
0010	099436	ELECTROVALVE SUPPORT	1.74
0011	099508	SPACER	3.12
0012	0V1364	105 DEGREE SAFETY THERMOSTAT	15.48
0013	099918	GASKET FOR FEELER	1.32
0014	0V0157	FEELER	9.00
0015	099993	BRACKET	0.00
0016	093179	INSULATING WASHER MOTOREDUCTER	0.44
0017	097699	KNURL M4	0.82
0018	0V3844	BOILER BODY	112.80
0019	097513	SILICONE HOSE 9X13 BROWN	4.26
0020	098726	THERMOSTAT	0.00
0021	098390	PIPE FOR THERMOSTAT FIXING	12.72
0022	0V3847	1660 W - 230V HEATING ELEMENT	45.60
0023	098260	FLOAT	40.80
0024	093308	MICROSWITCH SERIE RLL/D	0.00
0025	091842	OUTER FIXING COLLAR D.2,3	0.07
0026	0V3845	BOILER COVER+MICRO	49.20
0027	0V3846	GASKET	6.96
0028	094597	COPPER WASHER	0.40
0029	099510	SEAL	0.55
0030	099847	GASKET	2.28
0031	092796	OUTFLOW REGUL FASTENER	0.04
0032	099928	STOPPER GASKET	1.81
0033	099064	ADJUSTING-SCREW-GASKET	0.16
0034	094180	ELBOW	0.00
0035	0V4309	LOCKING TUBE L=138	2.14
0036	0V4309	LOCKING TUBE L=138	2.14
0037	0V4309	LOCKING TUBE L=138	2.14
0038	099057	ELECTROV. -COIL 220/230 VOLT	14.88
0039	0V3552	VALVE BUSH	18.72
0040	251632	ELECTROVALVE KIT	11.04
0041	0V3556	LOWER BODY STOP	0.94
0042	099994	INSTANT-BOILER WIRING	25.80
0043	094437	UNION 3/8/M. -3/4F	10.08
0044	092364	UNION GASKET 3/4	0.59



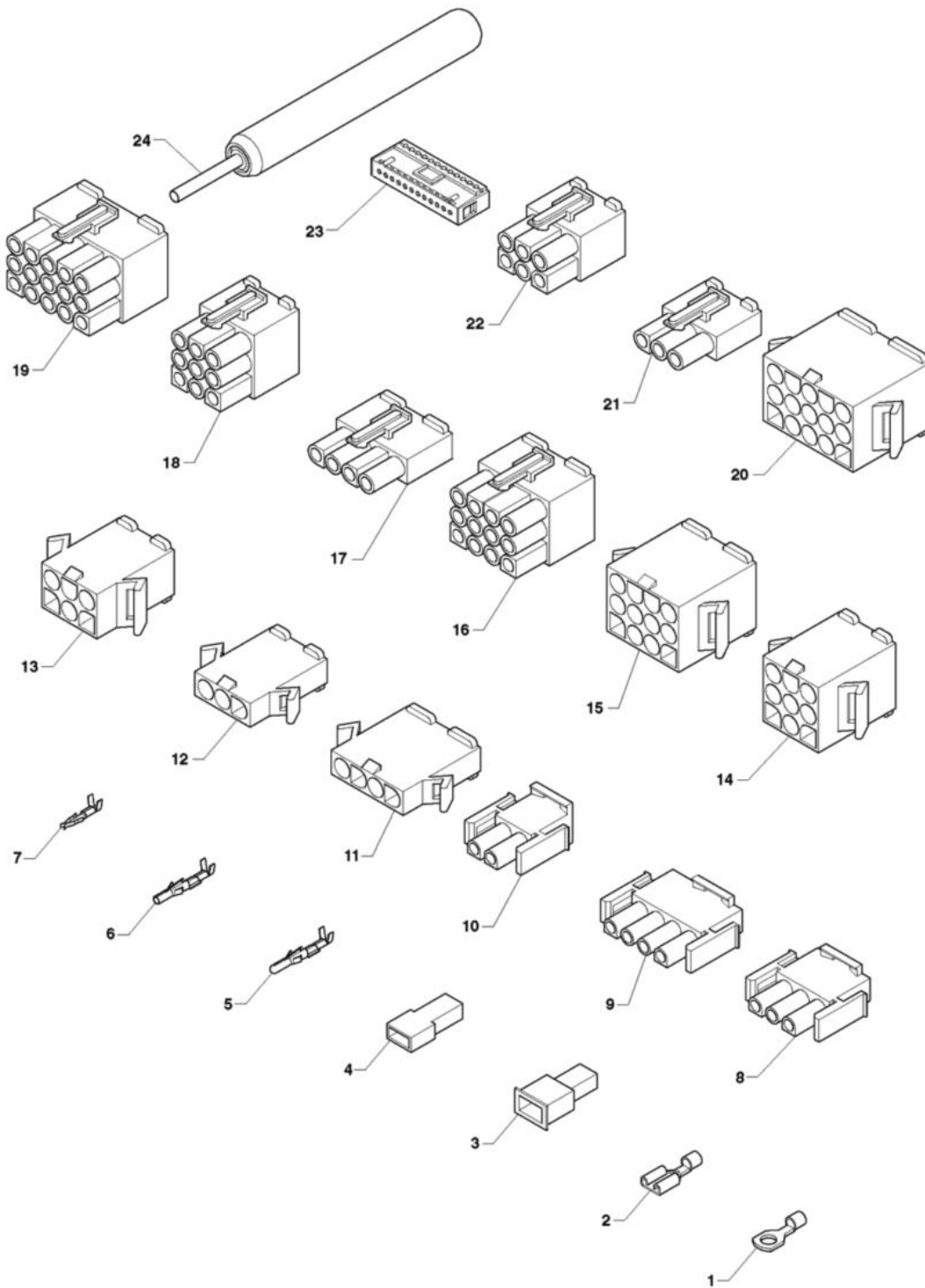
Instant hydraulic system

posLbl	Item	Description	Price (Eur)
0045	0V4308	STOPPER WITH O-RING	3.48
0046	0V3554	GASKET O-RING	0.36
0047	0V1980	CONDENSATE COLLECTION FITTING REDUCTION	2.82
0048	253827	BOILER BODY KIKKO, BRIO250 -AISI 316-	151.20





posLbl	Item	Description	Price (Eur)
0001	096244	LITTLE FEET	0.89
0002	097861	THREADED CONNECTOR	0.55
0003	254569	BLUE GROUND BUCKET	13.68
0004	099523	WATER CANISTER 20L	20.88
0005	091536	BOTTOM VALVE	16.92
0006	098551	BOLT	0.76
0007	094814	LOCK PREFER 'V000' SELECTED CLOSING TIME	30.60
0008	091116	KEY TYPE 'V'	4.26
0009	094124	DEPURATOR COMPLETE	120.00
0010	099524	SUPPORT	96.00
0011	099527	SUPPORT	16.92
0012	0V1927	MICROSWITCH 'UL'	4.14
0013	090681	INSULATING DISK.	0.29
0014	097512	SILICONE HOSE 6X12 BROWN	5.04
0015	0V0465	PUMP 220V - 60 HZ	36.00
0016	098760	PUMP (VIBRATION)	19.08
0017	098815	90 DEGREESTHERMIC PROTECTION	13.92
0018	099525	WIRING PUMP	10.80
0019	093091	PUMP DAMPER	0.10
0020	094048	BAG LOCK COLLAR	1.74
0021	094047	PASTILLE BAG HOSE	5.16
0022	099522	PIPE STOPPING	14.16
0023	096977	KNURL	1.03
0024	098800	TRANSPARENT HOSE (PER METER)	2.76
0025	099643	COLLAR	4.80
0026	099642	RUBBER HOLDER	2.10
0027	094548	SPACER	8.28
0028	099526	SLIDE	31.20
0029	094231	UNION T-SHAPE	0.79
0030	0V0276	COIN-BOX	66.00
0031	093618	DEAD BOLT SUB-CONSOLE LOCK	0.00
0032	0V2493	DRAIN UNION SUPPORT	11.28





posLbl	Item	Description	Price (Eur)
0001	090957	EYELET TERMINAL	0.16
0002	090959	FASTON W/O TONGUE	0.00
0003	091192	FASTON COVER	0.14
0004	090247	FEMALE FASTON COVER	0.12
0005	095955	TERMINAL MALE	0.14
0006	096136	TERMINAL FEMALE	0.18
0007	094405	TERMINAL FEMALE 2,5	0.07
0008	094954	FEMALE HOLDER CONNECTOR 3-WAYS	2.46
0009	098062	4-WAY CONNECTOR MATE-N-LOK AMP	0.55
0010	094955	FEMALE HOLDER CONNECTOR 2-WAYS	0.38
0011	0V0809	4-PIN CONNECTOR/P MOLEX 3191	0.90
0012	0V0808	3-PIN CONNECTOR/P MOLEX 3191	0.77
0013	0V0810	6-PIN CONNECTOR/P MOLEX 3191	1.18
0014	0V0811	9-PIN CONNECTOR/P MOLEX 3191	1.30
0015	0V0812	12-PIN CONNECTOR/P MOLEX 3191	1.96
0016	0V0818	12-PIN CONNECTOR/P MOLEX 3191	0.00
0017	0V0815	4-PIN CONNECTOR/P MOLEX 3191	0.94
0018	0V0817	9-PIN CONNECTOR/P MOLEX 3191	1.27
0019	0V0819	15-PIN CONNECTOR/P MOLEX 3191	2.17
0020	0V0813	15-PIN CONNECTOR/P MOLEX 3191	2.06
0021	0V0814	3-PIN CONNECTOR/P MOLEX 3191	0.72
0022	0V0816	6-PIN CONNECTOR/P MOLEX 3191	1.25
0023	094961	FEMALE HOLDER CONNECTOR P.I. 12-W	1.18
0024	0V0820	MOLEX CONTACT PULLER	55.20