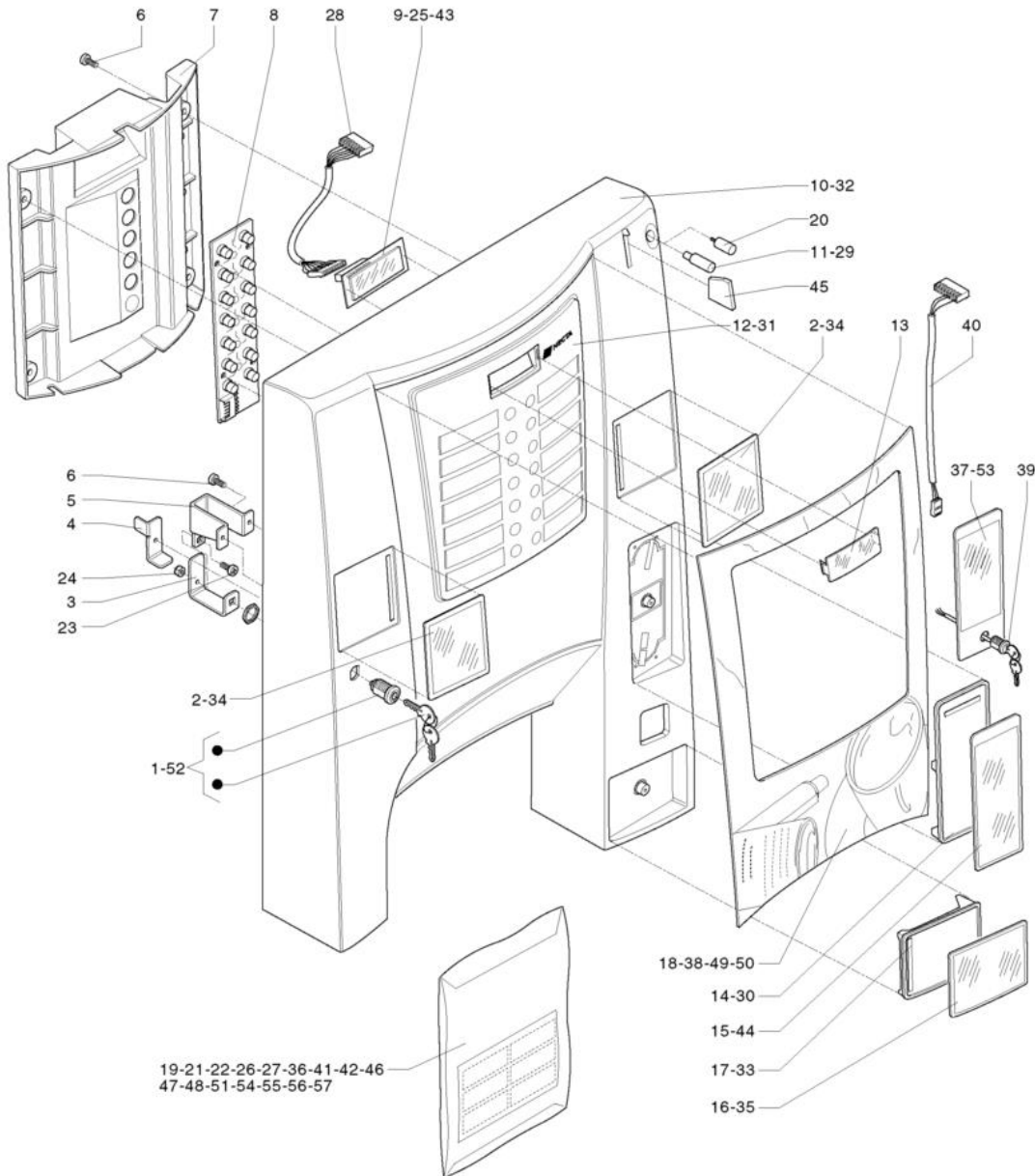




- 1 Door, external side
- 2 Door, internal side
- 3 Cabinet assy
- 4 Electric system
- 5 Hydraulic system
- 6 Cup dispenser
- 7 Sugar and spoons dispenser
- 8 Mixer and canister
- 9 Grinder doser unit
- 10 Coffee unit
- 11 Coffee unit with heater (open during stand-by position)
- 12 Coffee unit Z3000 with heater (closed during stand-by position)
- 13 Oversize chamber coffee unit
- 14 Tea unit (Turkey)
- 15 Hydraulic system Instant
- 16 Cabinet and kits
- 17 Back feed cover module
- 18 Pin and connectors

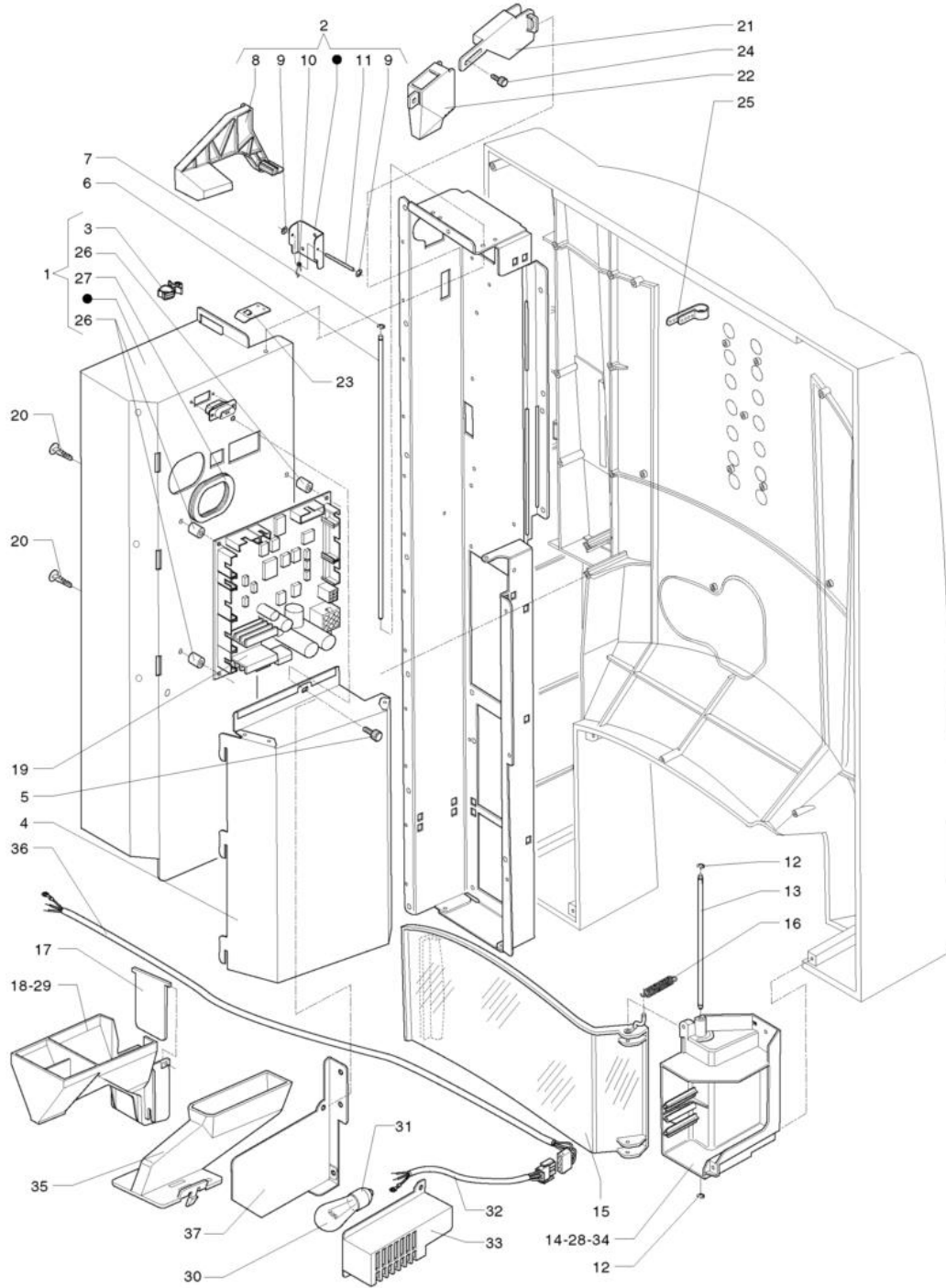




posLbl	Item	Description	Price (Eur)
0001	099905	LOCK RIELDA-MOD.503-	34.80
0002	252249	UPPER LABEL HOLDER	13.92
0003	252206	LATCH	2.06
0004	252208	DOOR ELEVATION	1.67
0005	252207	LATCH GUIDE	2.46
0006	255033	SELF-TAPPING SCREW 4X10	0.06
0007	252220	PUSH-BUTTON BOARD COVER	12.72
0008	252257	SELECTION BOARD	54.00
0009	251653	DISPLAY 2X16 BLUE-EXCLUSIVE-	42.00
0010	252244	DOOR	141.60
0011	0V3465	MONEY RETURN BUTTON	2.06
0012	252247	SELECTION PANEL	36.60
0013	252245	DISPLAY GLASS	1.44
0014	252222	COIN VERIFIER STOPPER	4.62
0015	252250	MIDDLE LABEL HOLDER	16.92
0016	252251	LOWER LABEL HOLDER	13.92
0017	252221	STOPPER	4.92
0018	252246	PHOTO-PANEL	32.40
0019	252248	PRODUCT LABELS (ITALY)	30.60
0020	252512	MONEY RETURN BUTTON PLUG	7.80
0021	252300	PRODUCT LABELS - E/P/MEX -	33.60
0022	252298	INSTRUCTIONS LABEL	2.82
0023	252501	SCREW WITH COLLAR	1.74
0024	091703	SELF-BLOCKING NUT M4	0.08
0025	251654	DISPLAY 2X16 BLUE-CYRILLIC	48.00
0026	252530	PRODUCTS LABELS -UK/RUS-	36.60
0027	252529	PRODUCTS LABELS -H/RO-	63.60
0028	250961	DISPLAY WIRING	39.60
0029	0V4264	BLACK MONEY RETURN BUTTON	1.56
0030	252517	COIN VERIFIER STOPPER -BLACK-	24.60
0031	252524	SELECTION PANEL -BLACK-	81.60
0032	252523	DOOR -BLACK-	208.80
0033	252518	STOPPER -BLACK-	17.64
0034	252527	UPPER LABEL HOLDER -BLACK-	15.84
0035	252525	LOWER LABEL HOLDER -BLACK-	22.68
0036	252528	INSTRUCTIONS LABEL -BLACK-	16.92
0037	252542	MIDDLE LABEL HOLDER-FREE V. -BLACK-	39.60
0038	252340	F.B. PHOTOGRAPHIC PANEL	141.60
0039	099743	FREE VEND SWITCH	92.40
0040	252345	FREE VEND-JUG FACILITY WIRING	9.84
0041	252342	PRODUCTS LABELS D/CZ/A	39.60
0042	252725	PRODUCTS LABELS-GR / B / NL-	63.60
0043	251655	DISPLAY 2X16 BLUE-GREECE-	38.40
0044	252526	MIDDLE LABEL HOLDER -BLACK-	30.60

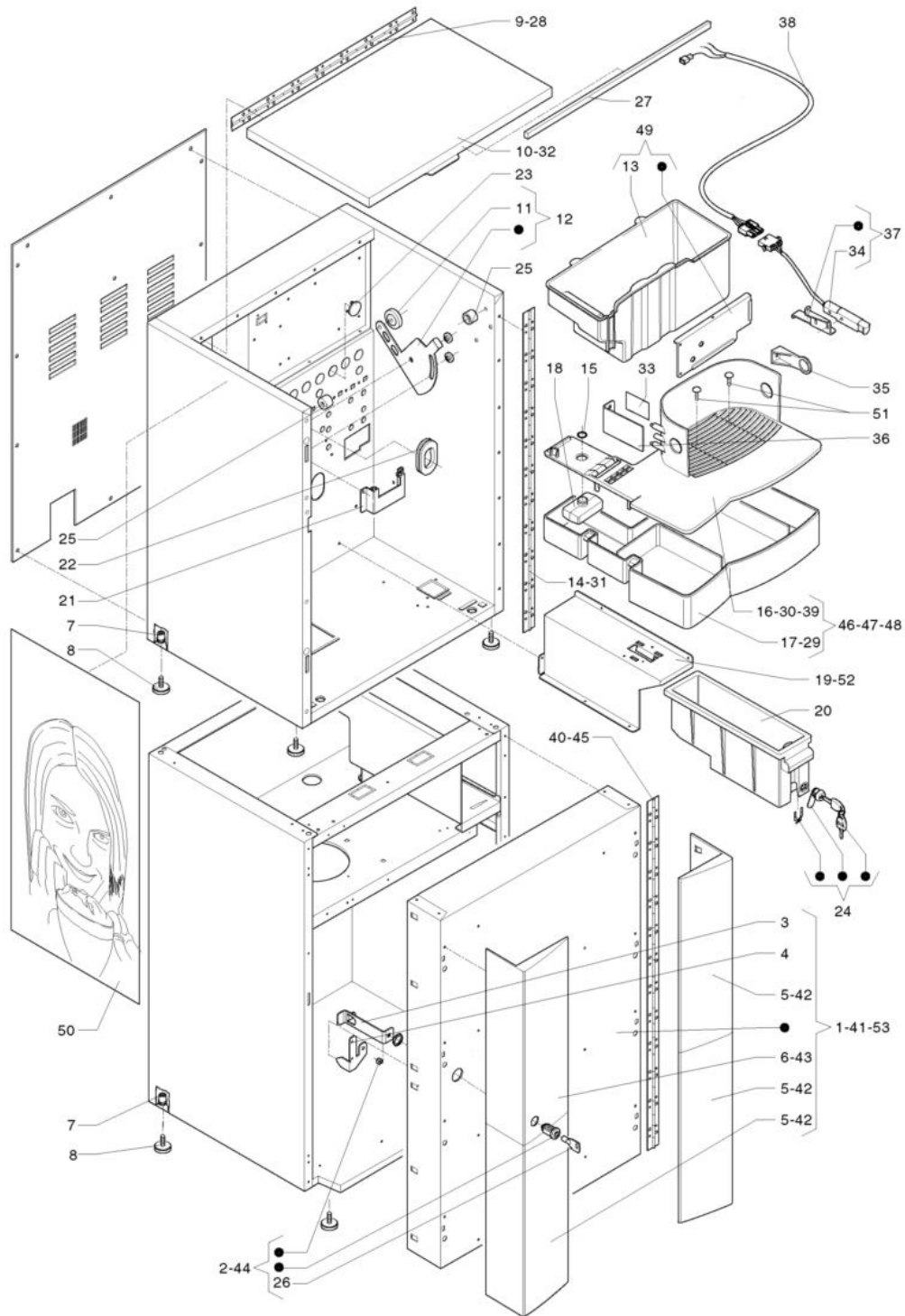


posLbl	Item	Description	Price (Eur)
0045	252513	COIN INSERT PLUG	12.48
0046	252858	PRODUCTS LABELS -PL-	63.60
0047	253283	PRODUCTS LABELS -TURKISH-	63.60
0048	0V3368	PRICE PLATE - EURO 0,05-	3.48
0049	253413	PHOTO-PANEL -NESTLE'-	87.60
0050	253823	PHOTOGRAPHIC PANEL -SKYCUP-	44.40
0051	253824	PRODUCT PLATE -SKYCUP- I/F	33.60
0052	099043	LOCK TYPE'N'PREFER	67.20
0053	252341	MIDDLE LABEL HOLDER-FREE VEND-	20.52
0054	254207	PRODUCT PLATE E/P/MEX SKY-CUP	27.60
0055	252849	INSTRUCTION PLATE -UK-	39.00
0056	099253	PRICE LABELS 'UK' N°1	10.32
0057	099242	PRICE-LABEL 'UK' N°2	10.32





posLbl	Item	Description	Price (Eur)
0001	252272	COIN MECHANISM COMPARTMENT	79.20
0002	252260	COIN RETURN ASSY.	24.60
0003	098459	WIRE-CLIP	0.34
0004	252210	BOARD-PROTECTION	21.96
0005	096977	KNURL	1.03
0006	252216	COIN-MECHANISM OPENING PIN	3.36
0007	098818	STOPPING RING D.4	0.12
0008	252235	COIN RETURN LEVER	3.00
0009	093754	BENZING COLLAR QUICKBLOCK BQ DIAM MM	0.07
0010	252212	SPRING FOR CHANGE	0.54
0011	252213	CHANGE GIVING PIN	0.68
0012	091737	CIRCLIP DIN 6799	0.04
0013	252217	SLIDER PIN	2.14
0014	252242	SUPPORT FOR SLIDER	15.48
0015	252241	DISPENSING COMPARTMENT DOOR	18.72
0016	093978	SPRING FOR ACTUATOR	0.65
0017	099359	SHUTTER FOR CHANGE	1.13
0018	252240	CHUTE FOR CHANGE	10.08
0019	252436	16 BIT CPU BOARD 4MB	216.00
0020	097175	CARD SPACER	0.20
0021	252238	FIXED COIN INTRODUCTION CHUTE	2.14
0022	252239	MOVABLE COIN INTRODUCTION CHUTE	2.34
0023	252211	BLOCK FOR COIN MECHANISM COMPARTMENT	0.36
0024	093828	KNURL	0.80
0025	091420	ADJUSTABLE COLLAR	0.47
0026	0V1431	SPACER	0.47
0027	093916	WHIPPING OVAL	0.37
0028	252723	SUPPORT -BLACK-	36.60
0029	252522	CHUTE FOR CHANGE -BLACK-	13.92
0030	0V2236	FILAMENT LAMP T26/57 CL 25W	3.66
0031	0V2237	LAMP-HOLDER	5.52
0032	252543	COMPARTMENT LAMP WIRING	5.76
0033	252686	LAMP PROTECTION	17.28
0034	252521	SUPPORT FOR SLIDER-BLACK-	33.60
0035	252514	CHUTE FOR COIN VERIFIER	13.20
0036	252692	COMPARTMENT LAMP PREARRANG.WIRING	19.44
0037	252868	COIN BOX PROTECTION	5.04



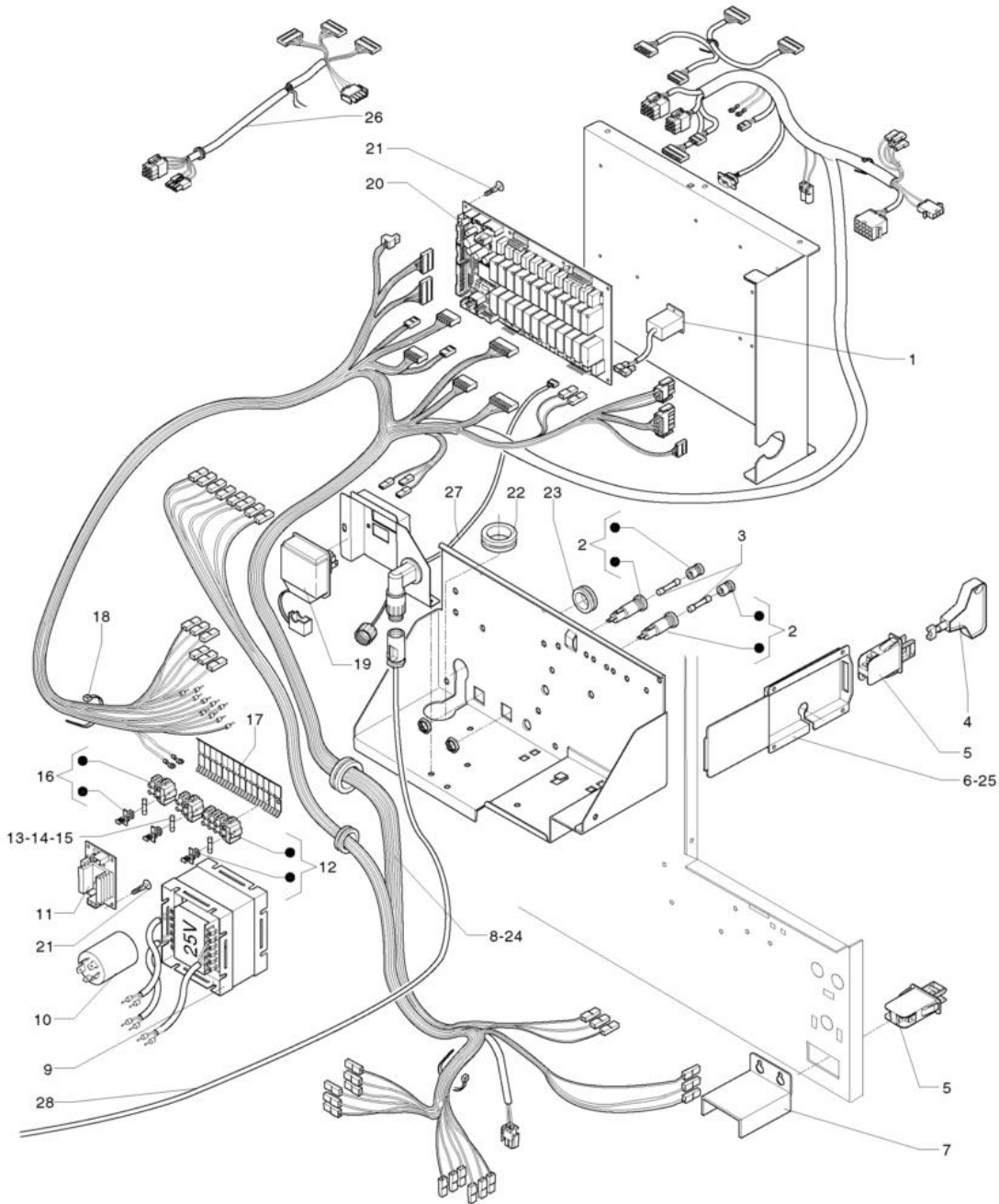


Cabinet assy

posLbl	Item	Description	Price (Eur)
0001	252190	DOOR	252.00
0002	098303	LOCK TYPE 'N'	42.00
0003	252182	LATCH	8.88
0004	252183	LATCH GUIDE	6.00
0005	252185	CABINET COVER	17.64
0006	252186	CABINET COVER WITH HOLE	18.72
0007	097861	THREADED CONNECTOR	0.52
0008	096244	LITTLE FEET	0.80
0009	099902	HINGE	15.48
0010	252209	MACHINE TOP	32.40
0011	0V0102	ROLLER	1.39
0012	252194	TOP LEVER	9.84
0013	252223	EXPRESS COFFEE GROUNDS TRAY	21.60
0014	252259	DOOR HINGE	18.00
0015	095623	GASKET O-RING 119 EP851	0.17
0016	252231	DELIVERY AREA	40.80
0017	252224	LIQUIDS TRAY	40.20
0018	252233	FLOAT	4.92
0019	252192	COIN-BOX SUPPORT	23.40
0020	0V3437	COIN BOX	14.40
0021	0V2802	GRINDER SUPPORT	2.10
0022	098600	CHOCK	0.66
0023	0V4199	PLUG	0.38
0024	252189	LOCK 'MERONI'	13.20
0025	094657	SPACER	0.10
0026	098463	PASSPARTOUT -ROUND LOCK-	6.96
0027	0V1429	ADHESIVE SEAL (A METER)	3.24
0028	0V0710	MACHINE TOP HINGE (BLACK)	16.20
0029	252519	LIQUIDS TRAY -BLACK-	45.60
0030	252520	DELIVERY AREA -BLACK-	56.40
0030	252541	DISPENSING OPENING WITH HOLE-BLACK	56.40
0031	252531	DOOR HINGE -BLACK-	21.24
0032	252516	MACHINE TOP -BLACK-	32.40
0033	0V0906	CATADIOPTRIC PLATE	7.20
0034	0V2149	PHOTOCELL	162.00
0035	252339	PHOTOCELL GLASS COVER	3.60
0036	252332	CATADIOPTRIC SUPPORT	8.76
0037	252354	PHOTOCELL WITH SUPPORT	183.60
0038	252652	PHOTOCELL WIRING	12.24
0039	252493	DISPENSING OPENING WITH HOLE	68.40
0040	252696	INOX HINGE CABINET-BLACK-	25.20
0041	252697	DOOR -BLACK-	248.40
0042	252694	CABINET COVER - BLACK -	16.92
0043	252695	CABINET COVER WITH HOLE-BLACK-	16.92

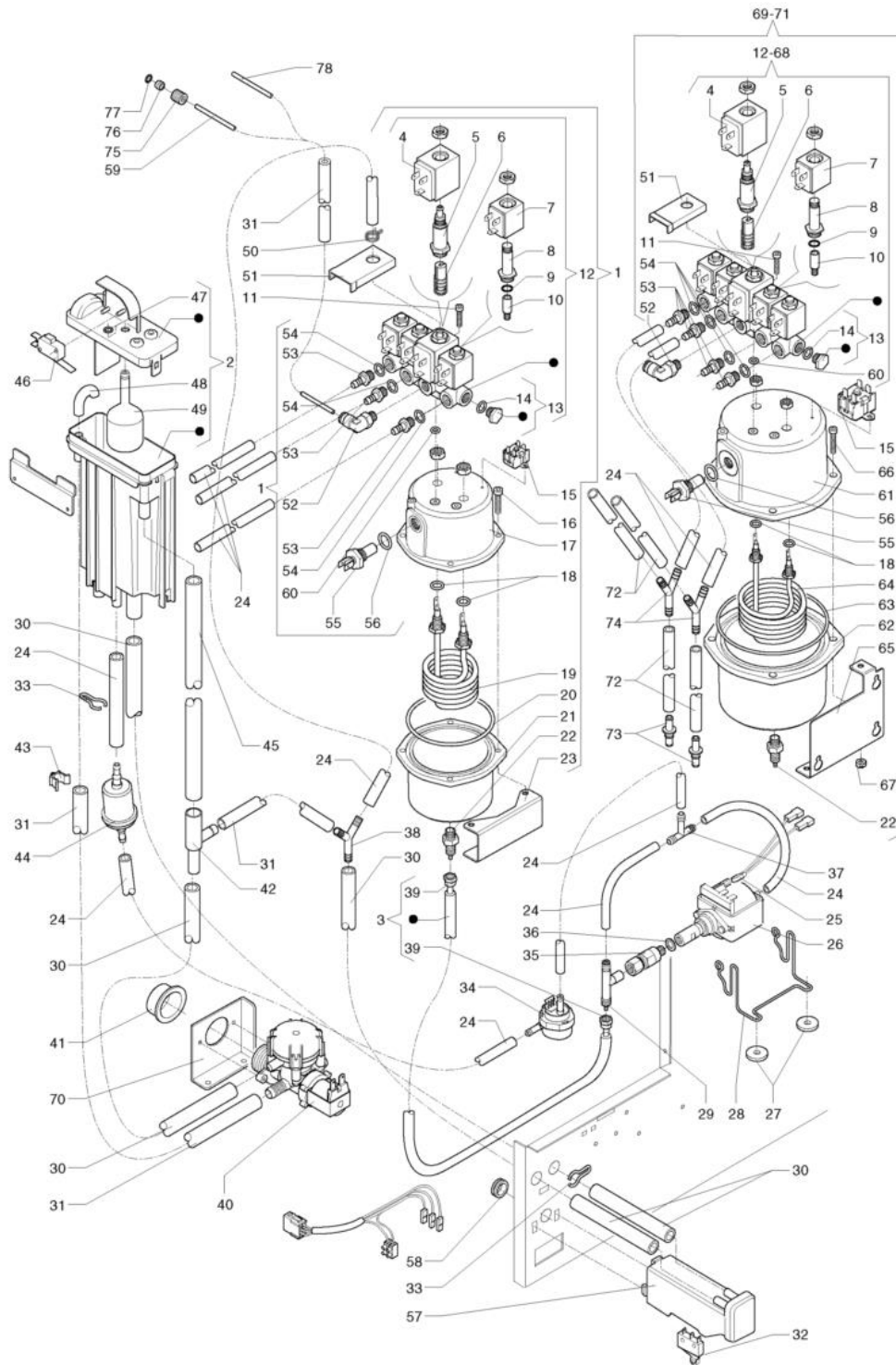


posLbl	Item	Description	Price (Eur)
0044	099905	LOCK RIELDA-MOD.503-	34.80
0045	252187	INOX HINGE CABINET	22.32
0046	252701	TRAY-DELIVERY AREA	84.00
0047	252702	TRAY-DISPENSING OPENING+HOLE	124.80
0048	252704	TRAY-DISP. OPENING+HOLE-BLACK-	124.80
0049	252707	COFFEE GROUNDS TRAY	56.40
0050	253414	SIDE ADHESIVE LABEL -NESTLE'-	112.80
0051	099184	CUP POSITIONING PIN	0.65
0052	253863	COIN-BOX SUPPORT ESPRESSO	23.04
0053	253856	CABINET DOOR-GREY/BLACK-	198.00



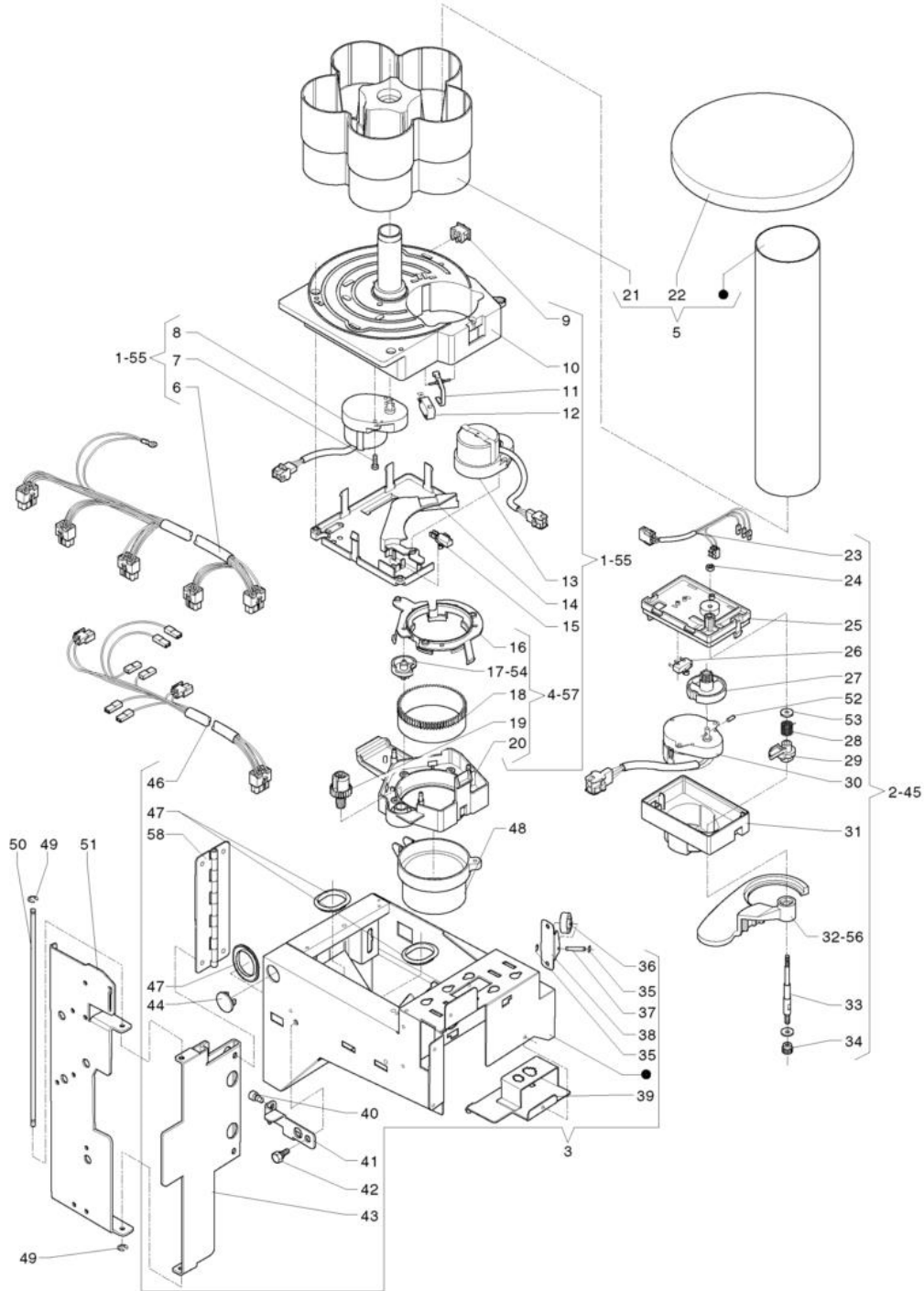


posLbl	Item	Description	Price (Eur)
0001	0V2284	SCALER 24 VOLT	22.32
0002	251863	FUSE HOLDER	5.16
0003	095636	FUSE 15 A	0.68
0004	0V1654	SWITCH KEY	0.94
0005	097796	SWITCH	11.52
0006	252193	MICROSWITCH PROTECTION	4.92
0007	250797	MICROSWITCH PROTECTION	4.38
0008	252252	MAIN WIRING ASSEMBLY	180.00
0009	0V0014	G49/25-25V TRASFORMER	91.20
0010	0V3512	ELECTRICAL NET FILTER	16.92
0011	0V2143	BOILER CONTROL BOARD	36.60
0012	098793	5P TERMINAL BOARD WITH FUSE-HOLDER	4.14
0013	096922	FUSE 5X20 800M AMP	0.55
0014	097259	FUSE 5X20 4A DELAYED ACTION	0.36
0015	096923	FUSE 5X20 1 AMP DELAYED ACTION	0.35
0016	097241	3-POLE TERMINAL BOARD W/CARRIER	3.48
0017	097242	SUB-TERMINAL BOARD	1.42
0018	090148	CLIP	0.05
0019	098796	TERMINAL BOARD	3.96
0020	252437	16 BIT CONTROL BOARD 4MB	237.60
0021	252237	SPACER	0.70
0022	098600	CHOCK	0.66
0023	090020	WHIPPING MM 16	0.82
0024	252569	INSTANT GENERAL WIRING	264.00
0025	252328	FB-IN MICROSWITCH PROTECTION	5.88
0026	252718	WIRING OF COLD UNIT	39.00
0027	252535	CAN BUS CONNECTION WIRING	62.40
0028	250587	MASTER-SLAVE CONNECTION WIRING	42.60



posLbl	Item	Description	Price (Eur)
0001	252263	BOILER ASSEMBLY 300 CC	330.00
0002	0V1133	AIR-BREAK ASSEMBLY	13.20
0003	252262	PUMP/BOILER PIPE (L=180)	17.64
0003	255128	PUMP/BOILER PIPE (L=140)	16.92
0004	099057	ELECTROV.-COIL 220/230 VOLT	14.88
0004	0V0917	3 WAY ELECTROVALVE 60 HZ COIL	17.64
0005	099105	COFFEE-ELECTROV. CONNECTION PIPE	19.80
0006	097472	3-WAY ELECTROVALVE NUCLEUS -VITON-	10.80
0007	099056	INSTANTS COIL	12.72
0007	0V0918	2 WAY ELECTROVALVE 60 HZ COIL	15.48
0008	0V1953	INSTANT-ELECTROV. CONNECTION PIPE	16.92
0009	099059	VALVE-BUSH-GASKET	0.56
0010	099058	NUCLEUS INSTANT-E.V.	8.76
0011	255045	SCREW M4X25 -INOX-	0.13
0012	258747	4 2+2+3+2-WAY 230V 50HZ SOLENOID ASSEMBLY -HIGH PERFORMANCE-	134.40
0013	0V1600	CAP WITH O-RING	0.72
0014	096553	GASKET O-RING 2037	0.13
0015	0V1318	125 DEGR. THERMOSTAT	14.40
0016	255043	SCREW M5X20	0.08
0017	098640	UPPER BOILER-COVER	41.40
0018	254711	GASKET O-RING112 2.62X9.92-HEATING ELEMENT-	0.41
0019	098645	HEATING-ELEMENT	31.20
0020	098701	ES. BOILER GASKET	1.18
0021	098641	LOWER BOILER-COVER	34.80
0022	098758	STRAIGHT UNION	8.40
0023	0V0192	BOILER SUPPORT	2.52
0024	097510	SILICONE HOSE 5X9 BROWN	3.30
0025	098815	90 DEGREESTHERMIC PROTECTION	9.36
0026	098760	PUMP 18BAR -GLOW WIRE-	19.08
0026	0V0465	PUMP 220V - 60 HZ	36.60
0026	257112	PUMP 18BAR GLOW WIRE-PLASTIC-	18.36
0027	093091	PUMP DAMPER	0.10
0028	0V0191	POMPE SUPPORT	5.04
0029	098764	BY-PASS PUMP (12 BAR)	16.20
0029	0V0493	BY-PASS PUMP -4 BAR-	14.40
0030	097512	SILICONE HOSE 6X12 BROWN	5.64
0031	097685	SILICONE HOSE BROWN 7,5X12	4.44
0032	0V1930	MICROSWITCH 'UL'	4.20
0033	093957	TUBE CLAMP	0.86
0034	098707	VOLUMETRIC COUNTER D.1,8	18.00
0035	099101	NO-RETURN VALVE	10.08
0036	251143	ALUMINIUM WASHER	0.12
0037	094231	UNION T-SHAPE	0.64
0038	095513	UNION Y-SHAPE	0.86

posLbl	Item	Description	Price (Eur)
0039	099107	NUT	0.84
0040	097383	ELECTROVALVE WATER-INLET 220V-2,5L/MIN-	13.68
0041	099815	STOPPER	0.13
0042	094185	CODENSE RECOVERY UNION	1.08
0043	098484	HOSE FIXING	0.17
0044	097435	WATER FILTER VOLUMETRIC COUNTER	4.02
0045	097515	SILICONE HOSE 10X16 BROWN	7.44
0046	0V1141	MICROSWITCH	2.40
0047	090421	GASKET OR 2025	0.26
0048	0V1749	WATER/AIR-BREAK CONNECTION	1.30
0049	0V1126	AIR-BREAK FLOAT	1.18
0050	094329	HOSE CLIP	0.30
0051	251248	ELECTRIC VALVE COVERING	1.70
0052	0V2509	UNION L-SHAPE 5X1/8	10.08
0053	095529	RUBBER HOLDER UNION 1/8' (BRASS)	3.66
0054	094594	GASKET O-RING 2031	0.07
0055	094872	BOILER TEMPERATURE PROBE-EXCLUSIVE-	14.40
0055	259898	NEW TEMPERATURE PROBE	23.04
0056	095624	GASKET O-RING 116 EP851	0.20
0057	0V1350	MICROSWITCH SUPPORT	3.60
0058	090021	WHIPPING DIAM 12.9 MM	0.36
0059	252659	TEFLON PIPE 2.5X5 (A METER)	5.88
0060	252538	O-RING 2025	0.38
0061	0V3650	BOILER UPPER COVER	0.00
0062	0V3651	BOILER LOWER COVER	0.00
0063	099748	GASKET -VERS. 600CC-	1.67
0064	099653	HEATING ELEMENT 1450 W	34.80
0065	252651	BOILER SUPPORT	12.48
0066	255041	SCREW M6X25	0.10
0067	255042	NUT M6	0.05
0068	252653	5-ELECTROVALVE UNIT 230V-50HZ	194.40
0069	252654	5 ELECTROVALVE 600CC BOILER	472.80
0070	099436	ELECTROVALVE SUPPORT	1.74
0071	252728	1450W 4ELECTROV. 600CC BOILER	372.00
0072	097511	SILICONE HOSE 6X9BROWN	2.58
0073	0V2058	BRACKET WATER CONNECTION	1.27
0074	093963	UNION Y-SHAPE DIAM 8 OUTER	1.92
0075	098699	UNION FOR PISTON PIPE	2.17
0076	098711	BUSH PISTON PIPE	0.89
0077	094611	GASKET O-RING 2018	0.05
0078	252128	PISTON TUBE	8.28





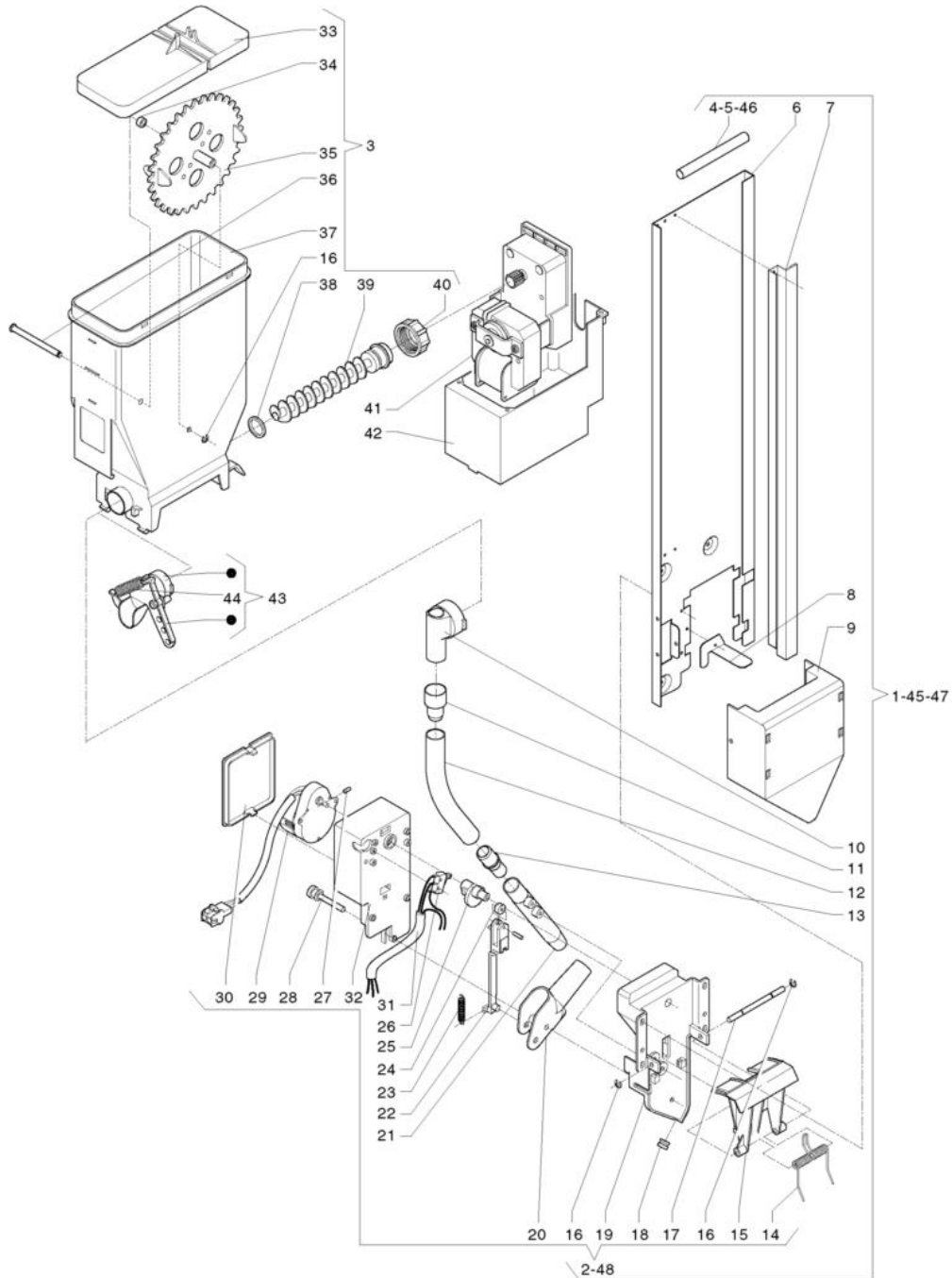
Cup dispenser

posLbl	Item	Description	Price (Eur)
0001	252267	CUP DISPENSER COMPLETE D.70/71	187.20
0002	252270	CUP TRANSLATOR	112.80
0003	252273	ASSY. CUP STATION BRACKET	216.00
0004	0V4187	CUP RELEASING 70/71	25.20
0005	252268	CUPS-CONTAINER	51.60
0006	252255	CUP DISPENSER WIRING	13.20
0007	987628	EJOT-PT-SCREW 3X8	0.05
0008	0V3672	RATIOMOTOR	44.40
0009	097807	BUTTON	2.94
0010	0V3693	CUP BASE	12.72
0011	0V2548	LEVER FOR MICROSWITCH	0.84
0012	092439	MICRO TYPE 'CHERRY'	2.28
0013	0V2549	MOTOREDUCTOR 3 G/M	40.20
0013	259684	MOTOR+WIRING	38.40
0014	0V3694	MOTOR GEARMOTOR SUPPORT	6.36
0015	0V1931	MICROSWITCH 'UL'	6.00
0016	0V3696	SNAIL RING	5.52
0017	098305	SCROLL DIAM.70/71	0.54
0018	098477	TOOTHED RING	2.17
0019	0V3697	MICRO GEAR	3.48
0020	0V3695	SNAIL SUPPORT	7.80
0021	0V4107	CONTAINER BASE	14.16
0022	0V3658	CUP CONTAINER COVER	4.08
0023	252254	CUP TRANSLATOR WIRING	17.28
0024	986614	NUT FLANGED	0.11
0025	252230	TRANSLATOR BASE	3.48
0026	096355	MICRO SWITCH -UL -	4.14
0027	252228	CAM	1.78
0028	0V2543	LEVER SPRING	0.50
0029	0V2544	ARM	1.70
0030	252258	TRANSLATOR MOTOR	35.40
0031	252229	MOTOR COVER	3.66
0032	252227	OSCILLATING ARM 70-71	4.14
0033	252218	OSCILLATING ARM PIN	4.38
0034	252656	KNURL M5	1.03
0035	091737	CIRCLIP DIN 6799	0.04
0036	252234	WHEEL	0.42
0037	252214	PIN	0.90
0038	252205	WHEEL SUPPORT	2.94
0039	252200	CONNECTORS-SUPPORT	4.14
0040	092738	WEDGE BUMPER	0.82
0041	252204	BRACKET LOCK-OUT LEVER	3.12
0042	090615	COLLAR SCREW	0.38
0043	252196	DOUBLE HINGE SUPPORT	20.16



Cup dispenser

posLbl	Item	Description	Price (Eur)
0044	0V1636	PLUG D.25	0.12
0045	252545	CUP TRANSLATOR 73/74	112.80
0046	252256	CUP STATION BRACKET WIRING	28.20
0047	093916	WHIPPING OVAL	0.37
0048	252236	CUPS COLLAR	5.40
0049	091959	BENZING COLLAR DIAM 4MM	0.04
0050	252215	BRACKET PIN	2.76
0051	252199	BRACKET HINGE SUPPORT	9.36
0052	096904	ELASTIC PLUG 1,5X8	0.55
0053	096863	PIVOT WASHER	0.28
0054	0V1659	SNAIL W/DIAM. 73-74	1.42
0055	252544	CUPS DISTRIBUTOR 73/74	176.40
0056	252191	OSCILLATING ARM 73-74	9.84
0057	0V4190	CUP RELEASING 73/74	23.40
0058	252261	DOUBLE HINGE	8.64





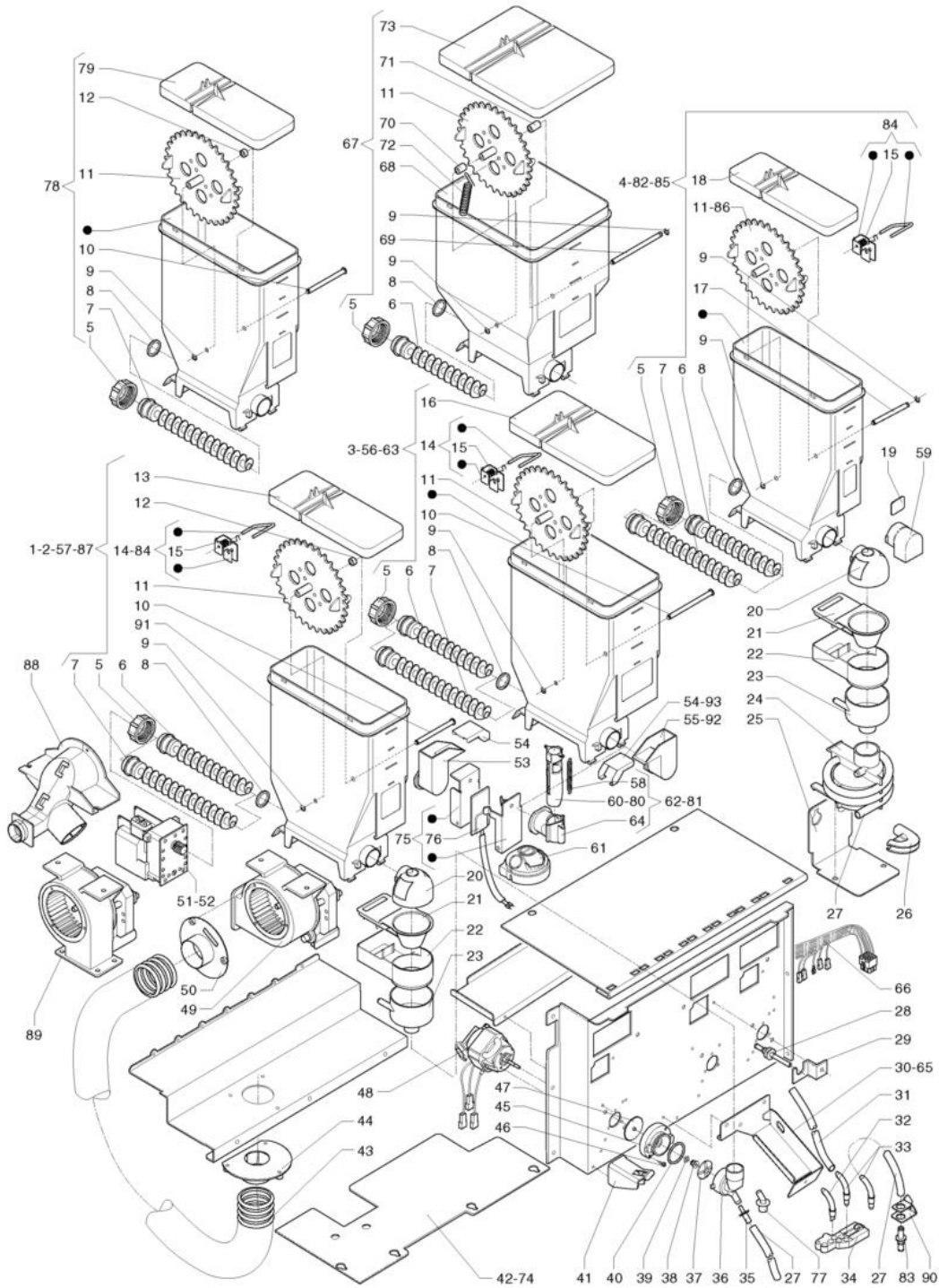
Sugar and spoons dispenser

posLbl	Item	Description	Price (Eur)
0001	252269	COMPLET SUGAR/STIRRER DISPENSER	176.40
0002	252271	SUGAR/STIRRER DISPENSER	105.60
0003	0V2432	POWDERS CANISTER NORMAL SCROLL	15.48
0004	099720	STIRRER BAR WEIGHT L=105	1.34
0005	090203	STIRRER BAR WEIGHT L=95	1.56
0006	252197	90-115 STIRRER COLUMN	24.60
0007	252198	STIRRER SELECTION ROD	13.68
0008	0V3830	STIRRING GUIDE SQUARE	2.14
0009	0V3022	STIRRER CHUTE	3.18
0010	098939	ROUND STRAIGHT PIPETTE	1.15
0011	0V3657	PIPE COUPLING	0.90
0012	098719	PVC PIPE 14X19(A METER)	2.64
0013	099375	HOSE COUPLING	0.65
0014	099602	SPRING	1.22
0015	099610	LEVER	3.54
0016	091959	BENZING COLLAR DIAM 4MM	0.04
0017	098352	STIRRING BARS EJECTING PIN	1.13
0018	098853	PASS-WIRE	0.47
0019	099607	BODY	4.32
0020	099721	SUGAR NOZZLE	1.56
0021	098356	SUGAR PIPE	4.68
0022	099605	ROD	0.71
0023	099616	SPRING	0.62
0024	099604	ROLLER	1.13
0025	099606	CAM	0.73
0026	096355	MICRO SWITCH -UL -	4.14
0027	096904	ELASTIC PLUG 1,5X8	0.55
0028	0V2949	SUGAR SPOUT PIN	0.58
0029	099397	MOTOR REDUCTOR 6G/1 MIN.	38.40
0030	099609	COVER	0.94
0031	252253	STIRRER DISPENSER WIRING	11.04
0032	099608	SUPPORT	3.66
0033	0V2410	LID FOR CONTAINER	3.54
0034	098812	SPACER	0.18
0035	095936	WHEEL	2.76
0036	0V1962	PIN FOR WHEEL	0.49
0037	0V2277	CONTAINER CASING	6.96
0038	095829	GASKET O-RING	0.70
0039	098609	SCROLL L=11.7CM	2.58
0040	095849	CONTAINER RING NUT	0.59
0041	0V3673	SUGAR RATIONMOTOR 52 RPM	73.20
0042	251643	CONTAINER SHELF	8.16
0043	0V4274	SUGAR CONVEYOR ASSY.	30.00
0044	093978	SPRING FOR ACTUATOR	0.65



Sugar and spoons dispenser

posLbl	Item	Description	Price (Eur)
0045	252727	SUGAR/STIRRER DISPENSER-105/115-	176.40
0046	252034	115 MM STIRRER BAR WEIGHT	2.64
0047	252863	STIRRER DISPENSER	169.20
0048	252864	STIRRER DISPENSER MECHANISM	98.40



posLbl	Item	Description	Price (Eur)
0001	0V0555	LONG SCROLL CONTAINER 2,4L WITH BEATER	23.04
0002	099334	POWDERS CANISTER 2,4L	15.12
0003	252264	3 LITRE CANISTER COMPLETE	18.00
0004	252265	2 LITRE CANISTER COMPLETE	16.20
0005	095849	CONTAINER RING NUT	0.59
0006	098609	SCROLL L= 11.7CM	2.58
0007	098608	SCROLL L= 13.7CM	2.28
0008	095829	GASKET O-RING	0.70
0009	091959	BENZING COLLAR DIAM 4MM	0.04
0010	0V1962	PIN FOR WHEEL	0.49
0011	095936	WHEEL	2.76
0012	098812	SPACER	0.18
0013	099466	LID FOR CONTAINER	1.63
0014	099494	CANISTER-BEATER	20.52
0015	099442	SPRING	0.50
0016	252275	3 LITRE CANISTER COVER	3.00
0017	253369	WHEEL PIN	0.56
0018	252276	2 LITRE CANISTER COVER	2.46
0019	097502	NAMEPLATE GROUP CONTAINER INSTANT P	1.46
0020	252232	MIXER CAP	1.78
0021	0V1534	DRAWER COVER	1.54
0022	0V1537	SUCTION DRAWER	1.70
0023	0V1535	WATER FUNNEL	1.70
0024	097923	COIL FOR TEA	3.18
0025	251222	COIL SUPPORT FOR TEA	3.72
0026	251295	COIL UNION FOR TEA	1.08
0027	097511	SILICONE HOSE 6X9BROWN	2.58
0028	099329	FUNNEL NOZZLE D. 3.4	0.56
0029	0V1885	NOZZLE SUPPORT	1.60
0030	252195	SPOUT SUPPORT	7.32
0031	097510	SILICONE HOSE 5X9 BROWN	3.30
0032	097953	POINTED NOZZLE	1.20
0033	097922	NOZZLE	1.08
0034	098067	SUPPORT FOR INSTANT NOZZLES	3.24
0035	097914	COFFEE CHOKE	1.10
0036	097912	CONVEYOR FOR MIXER	1.85
0037	097916	MIXER VENTILATOR	3.00
0038	097917	BUSH SEAL -EXCLUSIVE-	5.88
0039	099880	GASKET	0.18
0040	094540	GASKET O-RING 3125 -MIXER-	0.00
0041	253305	BRACKET CLOSING SUPPORT	4.38
0042	252201	MIXER PROTECTION	4.32
0043	096459	HOSE DIAM 32	7.80
0044	252243	VENTILATOR PIPE CONNECTION CUT	7.56



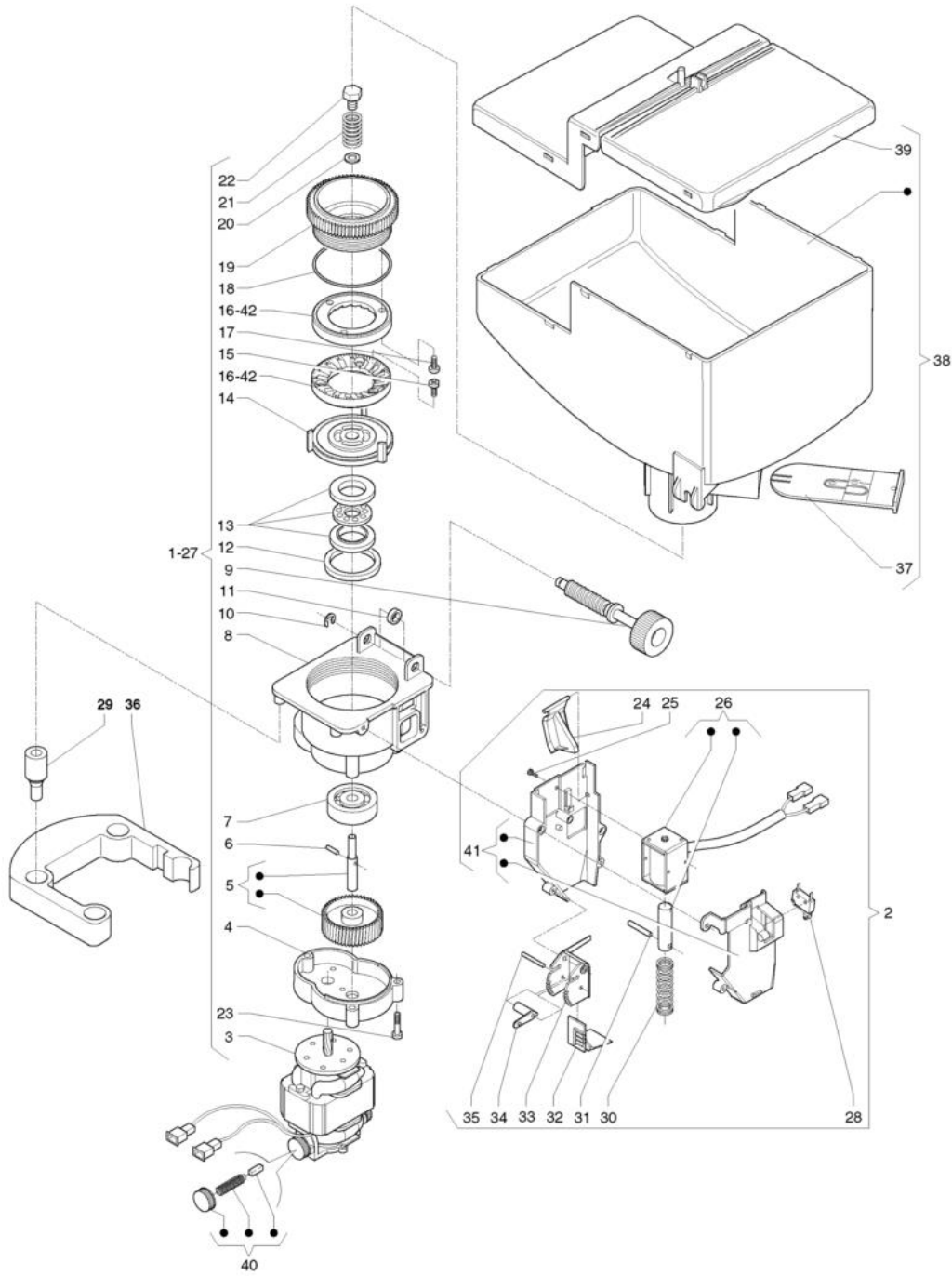
Mixer and canister

posLbl	Item	Description	Price (Eur)
0045	097911	FLANGE FOR MIXER	1.15
0046	255046	SCREW M3,5X8	0.10
0047	099889	DISK	0.56
0048	098808	MOTORMIXER	36.00
0049	098583	ELECTROVENTILATOR -230V 50HZ-	31.80
0049	255391	ELECTROVENTILATOR -240V-50/60HZ-	31.20
0050	098703	VENTILATOR PIPE CONNECTION D38	1.18
0051	0V3725	RATIOMOTOR 52 RPM	66.00
0052	0V3726	RATIOMOTOR 78 RPM	68.40
0052	250004	RATIOMOTOR 138 RPM	74.40
0053	0V2070	RH POWDER FEEDER	4.08
0054	0V2076	SHORT CONVEYOR COVER	1.20
0055	0V2072	LH POWDER FEEDER L=38	3.66
0056	252515	LONG SCROLL 3L.CANISTER+BEATER	26.40
0057	099857	CONTAINER COMPLETE 2,4L WITH BEATER	24.00
0058	252540	SPRING	1.27
0059	096868	SQUARE STRAIGHT PIPETTE	1.54
0060	252367	BENT PIPETTE	3.96
0061	252369	MIXER COVER	2.64
0062	252546	COMPLETE BENT OPENING	25.80
0063	252352	3 LITRE CANISTER+BEATER	28.80
0064	252366	CONTAINER OPENING	2.34
0065	252329	IN-F.B. SPOUT SUPPORT	21.60
0066	252346	FB-IN MIXER BRACKET WIRING	24.60
0067	0V1433	DOUBLE CONTAINER ASSY.	57.60
0068	0V2456	CONTAINER BASE	7.56
0069	0V0161	PIN FOR WHEEL	6.00
0070	0V0163	LEFT SPACER	13.68
0071	0V0164	RIGHT SPACER	6.60
0072	0V0165	SPRING	4.32
0073	0V0421	COVER	2.70
0074	252567	MIXER PROTECTION-INSTANT-	9.60
0075	252646	CONVEYOR HEATER ASSY.	98.40
0076	252645	24 VOLT 4 WATT RESISTANCE	49.20
0077	097913	ELBOW FOR MIXER	1.67
0078	252581	LONG AUGER CONTAINER COMPLET	22.32
0079	0V2410	LID FOR CONTAINER	3.54
0080	252368	STRAIGHT PIPETTE	3.72
0081	252687	STRAIGHT PIPETTE ASSY.	33.00
0082	252726	LONG SCROLL 2 LITRE CANISTER	16.56
0083	0V2058	BRACKET WATER CONNECTION	1.27
0084	252772	2 LITRE CANISTER BEATER	5.04
0085	252773	2 LITRE CANISTER+BEATER	33.00
0086	252774	2L CANISTER TOOTHED WHEEL	5.52



Mixer and canister

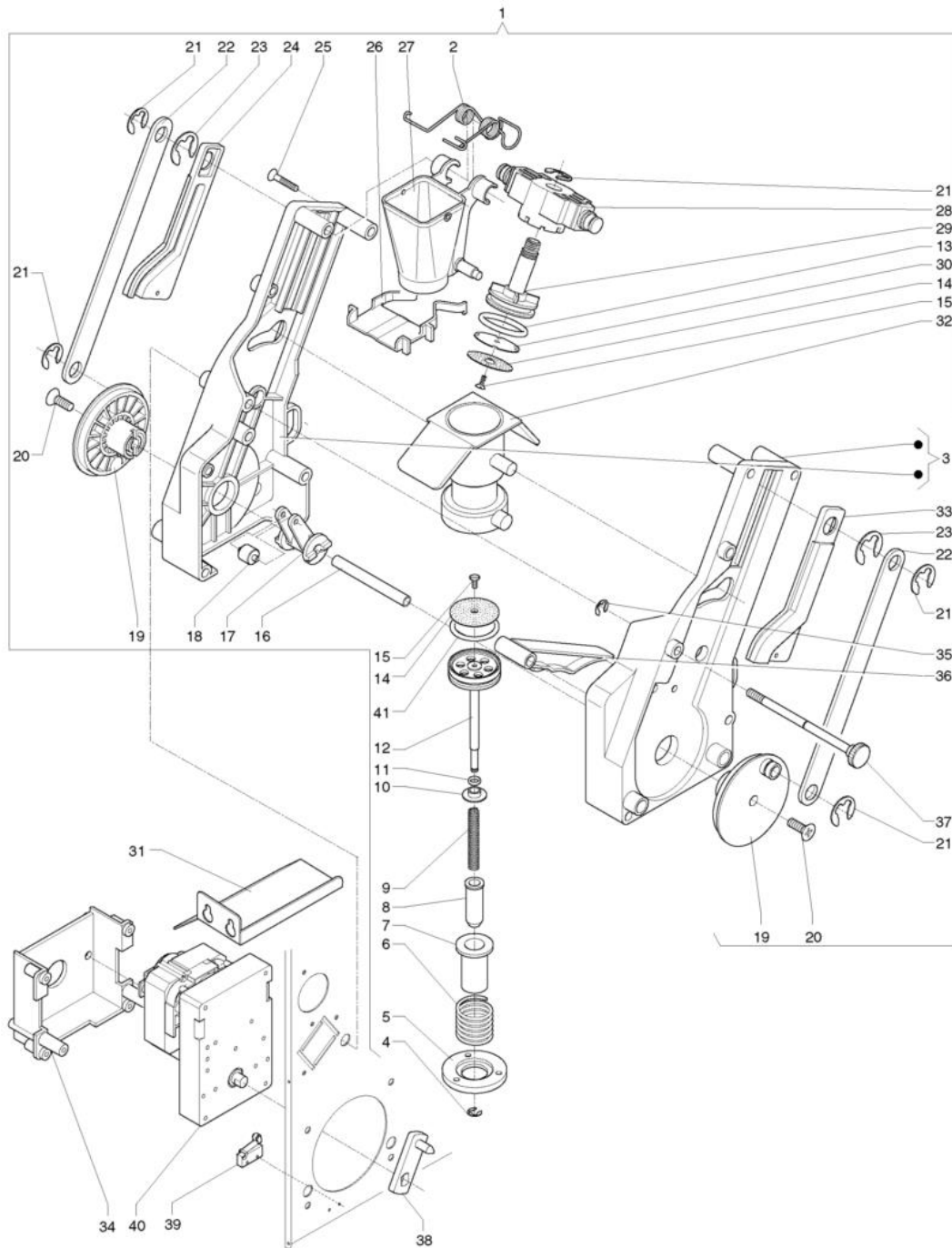
posLbl	Item	Description	Price (Eur)
0087	099335	POWDERS CANISTER 2,4L LONG SCROLL	15.48
0088	252914	FAN CONVEYOR	14.16
0089	252913	230V ELECTRIC FAN	42.60
0090	253241	WATER NOZZLE SUPPORT	8.76
0091	0V2277	CONTAINER CASING	6.96
0092	098813	LEFT CONVEYOR L=55	2.52
0093	099803	LONG CONVEYOR COVER	1.22





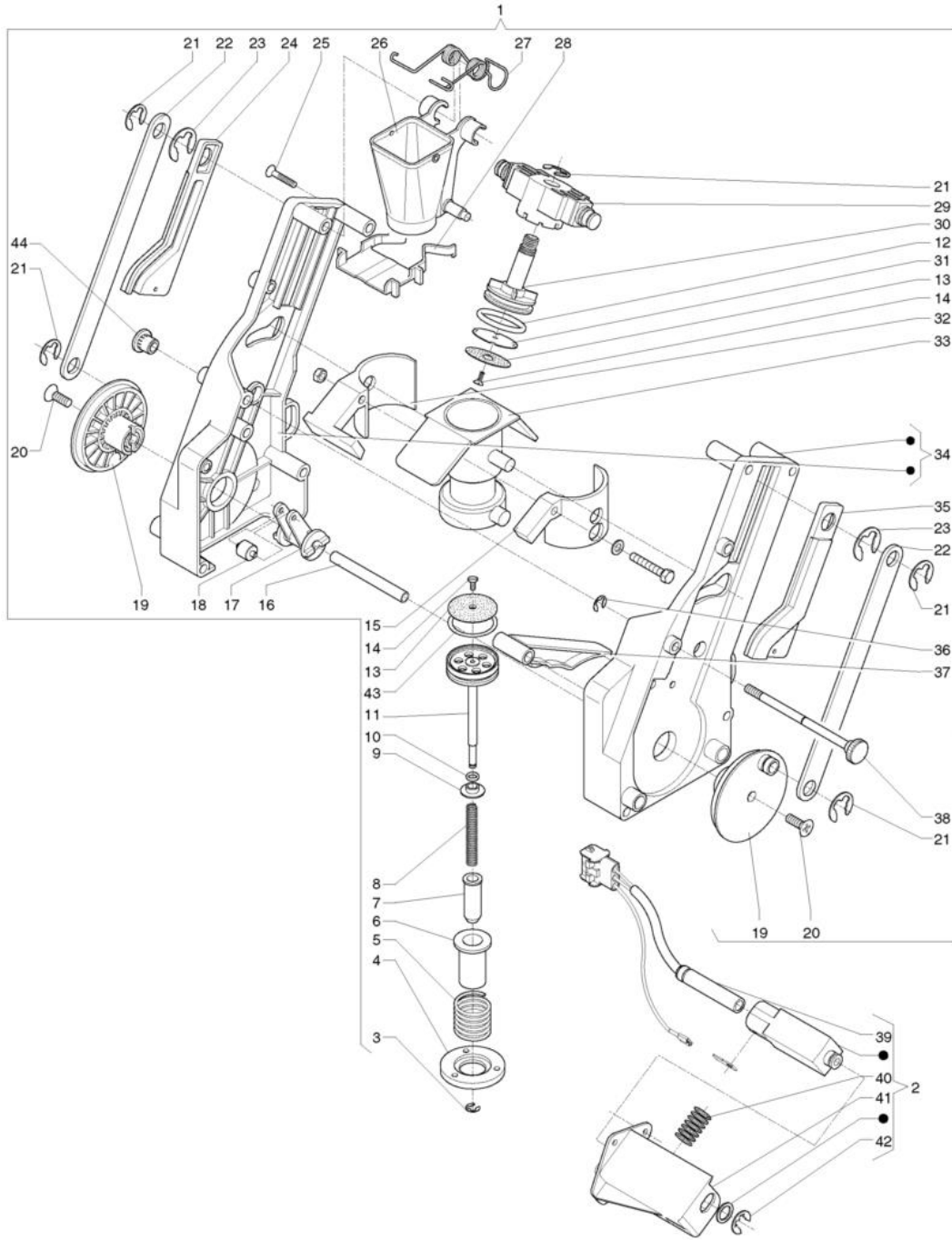
Grinder doser unit

posLbl	Item	Description	Price (Eur)
0001	099336	GRINDER	176.40
0001	0V0448	GRINDER 60 HZ	190.80
0002	099337	COFFEE DOSER	75.60
0003	099732	GRINDER MOTOR	67.20
0003	0V0451	GRINDER MOTOR 60 HZ	81.60
0004	099468	SUPPORT	4.32
0005	099470	SHAFT WHEEL	8.16
0006	098293	ELASTIC PLUG	0.13
0007	095803	RADIAL BEARING	5.76
0008	099469	CAP	8.28
0009	099474	REGULATION SCREW	2.58
0010	093171	OUTER FIXING COLLAR DIAM MM6	0.05
0011	099457	WASHER	0.74
0012	093271	COFFEE JUNK RING .	1.01
0013	093187	THRUST BEARING	6.48
0014	095802	GRINDER HOLDER IMPELLER	10.08
0015	255032	TREFOIL SCREW M4X10	0.06
0016	095840	GRINDER	16.20
0017	255033	SELF-TAPPING SCREW 4X10	0.06
0018	095805	GASKET O-RING	0.31
0019	099473	GRINDER HOLDER	9.24
0020	096988	WASHER	0.05
0021	099471	SPRING	1.03
0022	099472	LEFT SCREW	1.51
0023	255031	SELF-TAPPING SCREW 4,2X26	0.14
0024	099475	ACTUATOR	0.26
0025	092657	CLOSS SLOT SCREW 3X6TC .	0.05
0026	098716	ELECTROMAGNET 220V -FASTON-	39.60
0027	251493	PLUS GRINDER	190.80
0028	0V2131	BURGESS MICRO-SWITCH	3.36
0029	099484	LITTLE RUBBER	0.44
0030	098696	SPRING DOSER ELECTROMAGNET	0.29
0031	093832	ROD PIVOT	0.23
0032	098643	RULE COFFEE-DOSES	0.65
0033	098642	SHUTTER COFFEE-DOSER	1.25
0034	098644	LEVER FOR RULE	0.44
0035	098822	PIN FOR LEVER	0.26
0036	0V2628	INSULATOR	2.94
0037	098630	ROLL-UP FOR CONTAINER	1.70
0038	252266	COFFEE CANISTER	33.60
0039	252219	COFFEE CONTAINER LID	6.00
0040	0V3229	MOTORBRUSH KIT	1.37
0041	251128	COFFEE DOSER-BODY	8.04
0042	253294	GRINDER PLUS	28.80





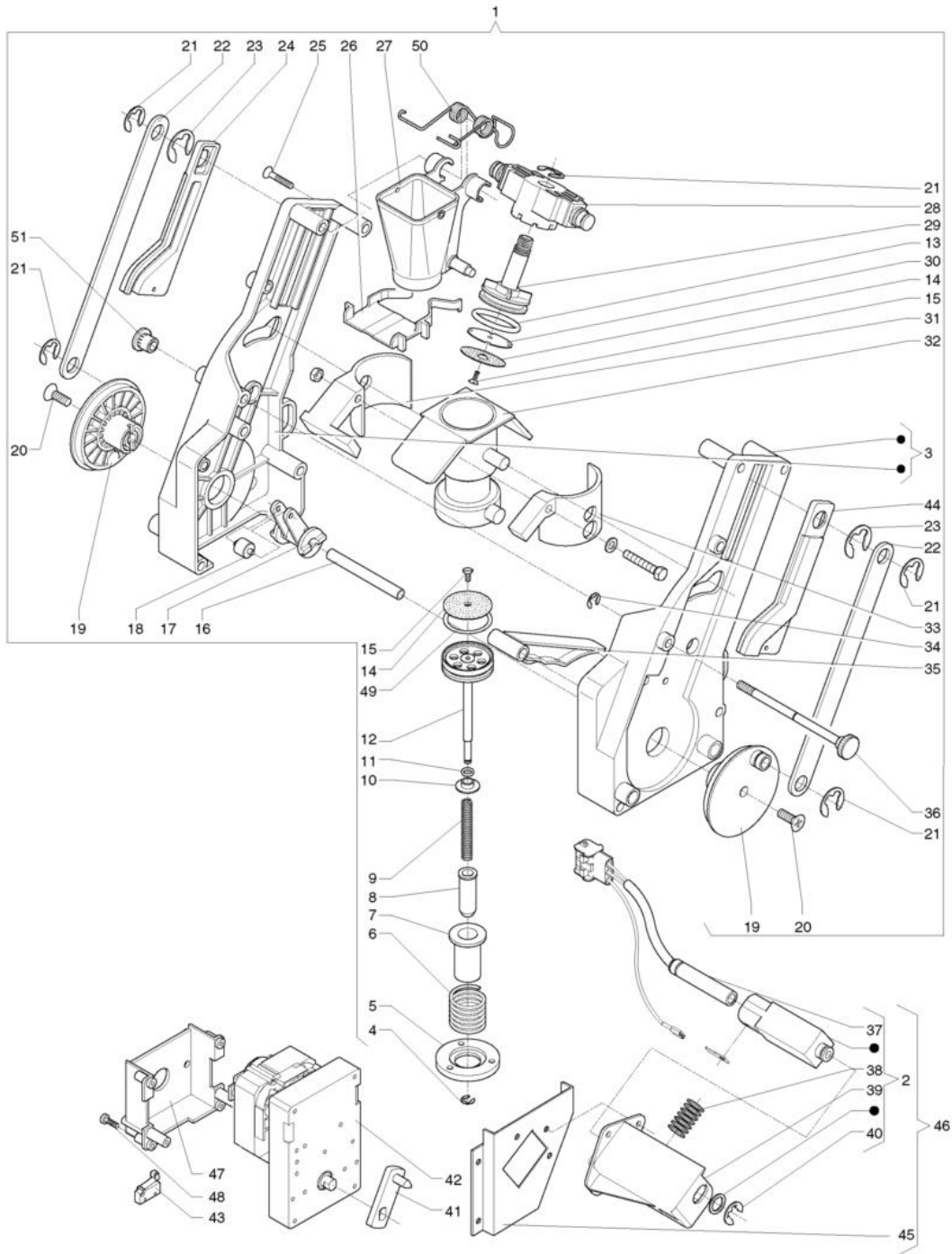
posLbl	Item	Description	Price (Eur)
0001	251687	COFFEE-GROUP Z3000	148.80
0002	252277	SCRAPER SPRING	3.36
0003	251101	RH-LH SUPPORT	42.00
0004	098818	STOPPING RING D.4	0.12
0005	098569	FLANGE FOR SPRING	1.74
0006	098689	PREINFUSION SPRING	1.63
0007	098567	LID FOR SPRING	0.91
0008	098691	LOWER PISTON GUIDE	1.99
0009	098688	PISTON RETURN SPRING	1.15
0010	098690	CONTROL BUSH	0.96
0011	090421	GASKET OR 2025	0.26
0012	099490	LOWER PISTON	6.48
0013	093167	SILICONE GASKET OR4118	0.86
0014	098687	COFFEE FILTER	3.24
0015	255047	SCREW M3X10 -INOX-	0.05
0016	098693	ROD CRANK BLOCKING	1.85
0017	098574	ROTATING LEVER	1.92
0018	098692	ROTATING LEVER ROLL	1.27
0019	098573	CRANK	2.76
0020	0V3889	SCREW 6X14	0.18
0021	092717	FIXING COLLAR DIAM MM10	0.53
0022	098565	TRACE FOR PISTON COMMAND	3.48
0023	096569	FIXING COLLAR DIAM 12	0.66
0024	098571	REAR SLEDGE	1.78
0025	255031	SELF-TAPPING SCREW 4,2X26	0.14
0026	251740	COFFEE SCRAPER	2.82
0027	251739	Z3000 COFFEE CHUTE	3.42
0028	098568	CROSS-BAR	4.44
0029	098577	UPPER PISTON	4.02
0030	0V1789	WATER DEFLECTOR	0.65
0031	252202	COFFEE MOTOR PROTECTION	2.14
0032	0V1715	BREWING CHAMBER W/PLUG	9.60
0033	098572	FRONT SLEDGE	1.78
0034	098566	MOTOREDUCER SUPPORT	4.20
0035	091287	OUTER FIXING COLLAR	0.16
0036	098575	OSCILLATING LEVER	3.00
0037	252020	TIEROD WITH KNURLED NUT	2.70
0038	098763	CRANK WITH PIN	3.96
0039	096355	MICRO SWITCH -UL -	4.14
0040	098708	MOTOREDUCER	87.60
0041	253411	GASKET O-RING 4112-LOWER PISTON-	0.41





Coffee unit with heater (open during stand-by position)

posLbl	Item	Description	Price (Eur)
0001	252506	Z3000 WITH HEATER(OPEN DURING STAND-BY POSITION)	146.40
0002	0V1783	HEATER WITH SUPPORT	80.40
0003	098818	STOPPING RING D.4	0.12
0004	098569	FLANGE FOR SPRING	1.74
0005	098689	PREINFUSION SPRING	1.63
0006	098567	LID FOR SPRING	0.91
0007	098691	LOWER PISTON GUIDE	1.99
0008	098688	PISTON RETURN SPRING	1.15
0009	098690	CONTROL BUSH	0.96
0010	090421	GASKET OR 2025	0.26
0011	099490	LOWER PISTON	6.48
0012	093167	SILICONE GASKET OR4118	0.86
0013	098687	COFFEE FILTER	3.24
0014	255047	SCREW M3X10 -INOX-	0.05
0015	0V1784	FRONT PANEL	5.52
0016	098693	ROD CRANK BLOCKING	1.85
0017	098574	ROTATING LEVER	1.92
0018	098692	ROTATING LEVER ROLL	1.27
0019	098573	CRANK	2.76
0020	0V3889	SCREW 6X14	0.18
0021	092717	FIXING COLLAR DIAM MM10	0.53
0022	098565	TRACE FOR PISTON COMMAND	3.48
0023	096569	FIXING COLLAR DIAM 12	0.66
0024	098571	REAR SLEDGE	1.78
0025	255031	SELF-TAPPING SCREW 4,2X26	0.14
0026	251739	Z3000 COFFEE CHUTE	3.42
0027	252277	SCRAPER SPRING	3.36
0028	251740	COFFEE SCRAPER	2.82
0029	098568	CROSS-BAR	4.44
0030	098577	UPPER PISTON	4.02
0031	0V1789	WATER DEFLECTOR	0.65
0032	0V1785	REAR PANEL	5.64
0033	0V1715	BREWING CHAMBER W/PLUG	9.60
0034	251101	RH-LH SUPPORT	42.00
0035	098572	FRONT SLEDGE	1.78
0036	091287	OUTER FIXING COLLAR	0.16
0037	098575	OSCILLATING LEVER	3.00
0038	252020	TIEROD WITH KNURLED NUT	2.70
0039	0V1786	25 WATT 110/265 V RESISTOR	39.60
0040	0V1788	CONTACT SPRING	0.24
0041	0V1787	SUPPORT	3.06
0042	987948	LOCKING WASHER	0.32
0043	253411	GASKET O-RING 4112-LOWER PISTON-	0.41
0044	253655	SPACER BUSH	0.29





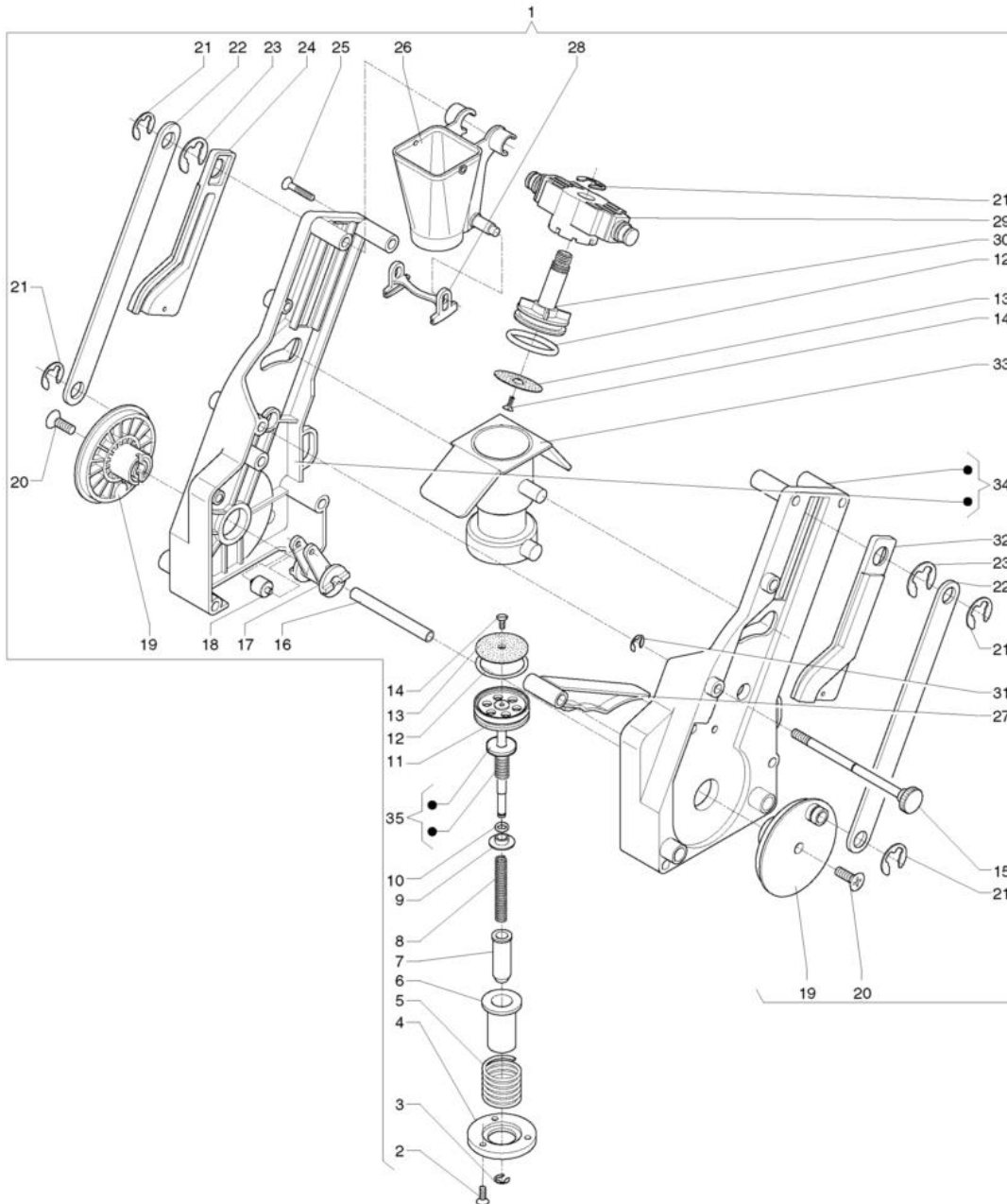
Coffee unit Z3000 with heater (closed during stand-by position)

posLbl	Item	Description	Price (Eur)
0001	251492	Z3000 COFFEE UNIT WITH HEATER	151.20
0002	0V1783	HEATER WITH SUPPORT	80.40
0003	251101	RH-LH SUPPORT	42.00
0004	098818	STOPPING RING D.4	0.12
0005	098569	FLANGE FOR SPRING	1.74
0006	098689	PREINFUSION SPRING	1.63
0007	098567	LID FOR SPRING	0.91
0008	098691	LOWER PISTON GUIDE	1.99
0009	098688	PISTON RETURN SPRING	1.15
0010	098690	CONTROL BUSH	0.96
0011	090421	GASKET OR 2025	0.26
0012	099490	LOWER PISTON	6.48
0013	093167	SILICONE GASKET OR4118	0.86
0014	098687	COFFEE FILTER	3.24
0015	255047	SCREW M3X10 -INOX-	0.05
0016	098693	ROD CRANK BLOCKING	1.85
0017	098574	ROTATING LEVER	1.92
0018	098692	ROTATING LEVER ROLL	1.27
0019	098573	CRANK	2.76
0020	0V3889	SCREW 6X14	0.18
0021	092717	FIXING COLLAR DIAM MM10	0.53
0022	098565	TRACE FOR PISTON COMMAND	3.48
0023	096569	FIXING COLLAR DIAM 12	0.66
0024	098571	REAR SLEDGE	1.78
0025	255031	SELF-TAPPING SCREW 4,2X26	0.14
0026	251740	COFFEE SCRAPER	2.82
0027	251739	Z3000 COFFEE CHUTE	3.42
0028	098568	CROSS-BAR	4.44
0029	098577	UPPER PISTON	4.02
0030	0V1789	WATER DEFLECTOR	0.65
0031	251486	Z3000 REAR PANEL	7.32
0032	0V1715	BREWING CHAMBER W/PLUG	9.60
0033	0V1784	FRONT PANEL	5.52
0034	091287	OUTER FIXING COLLAR	0.16
0035	098575	OSCILLATING LEVER	3.00
0036	252020	TIEROD WITH KNURLED NUT	2.70
0037	0V1786	25 WATT 110/265 V RESISTOR	39.60
0038	0V1788	CONTACT SPRING	0.24
0039	0V1787	SUPPORT	3.06
0040	987948	LOCKING WASHER	0.32
0041	098763	CRANK WITH PIN	3.96
0042	098708	MOTOREDUCER	87.60
0043	096355	MICRO SWITCH -UL -	4.14
0044	098572	FRONT SLEDGE	1.78



Coffee unit Z3000 with heater (closed during stand-by position)

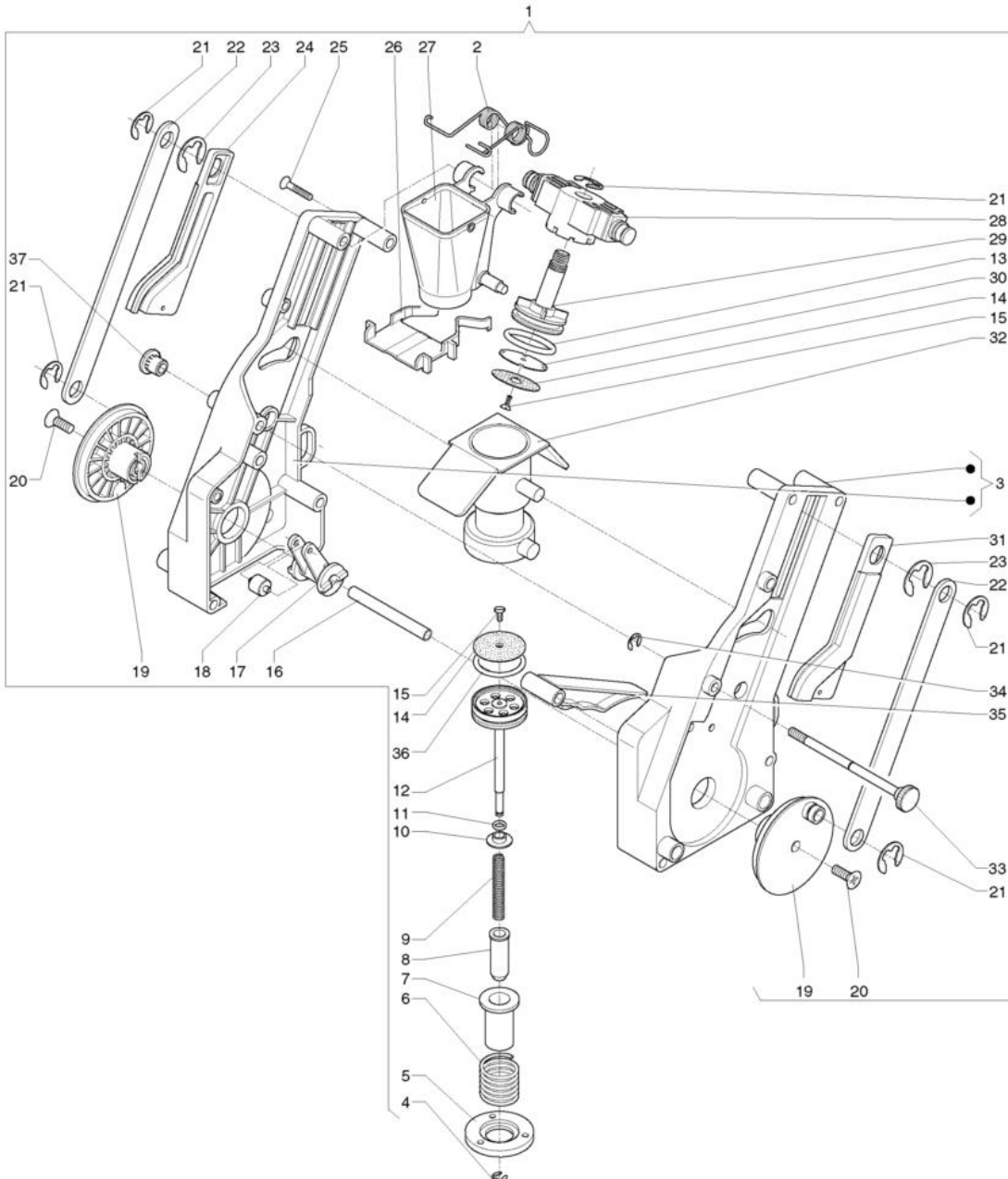
posLbl	Item	Description	Price (Eur)
0045	251487	HEATER SUPPORT	4.38
0046	251928	HEATER SUPPORT	81.60
0047	098566	MOTOREDUCER SUPPORT	4.20
0048	255034	PLAIN TIP SELF-TAPPING SCREW 4X12	0.06
0049	253411	GASKET O-RING 4112-LOWER PISTON-	0.41
0050	252277	SCRAPER SPRING	3.36
0051	253655	SPACER BUSH	0.29





Oversize chamber coffee unit

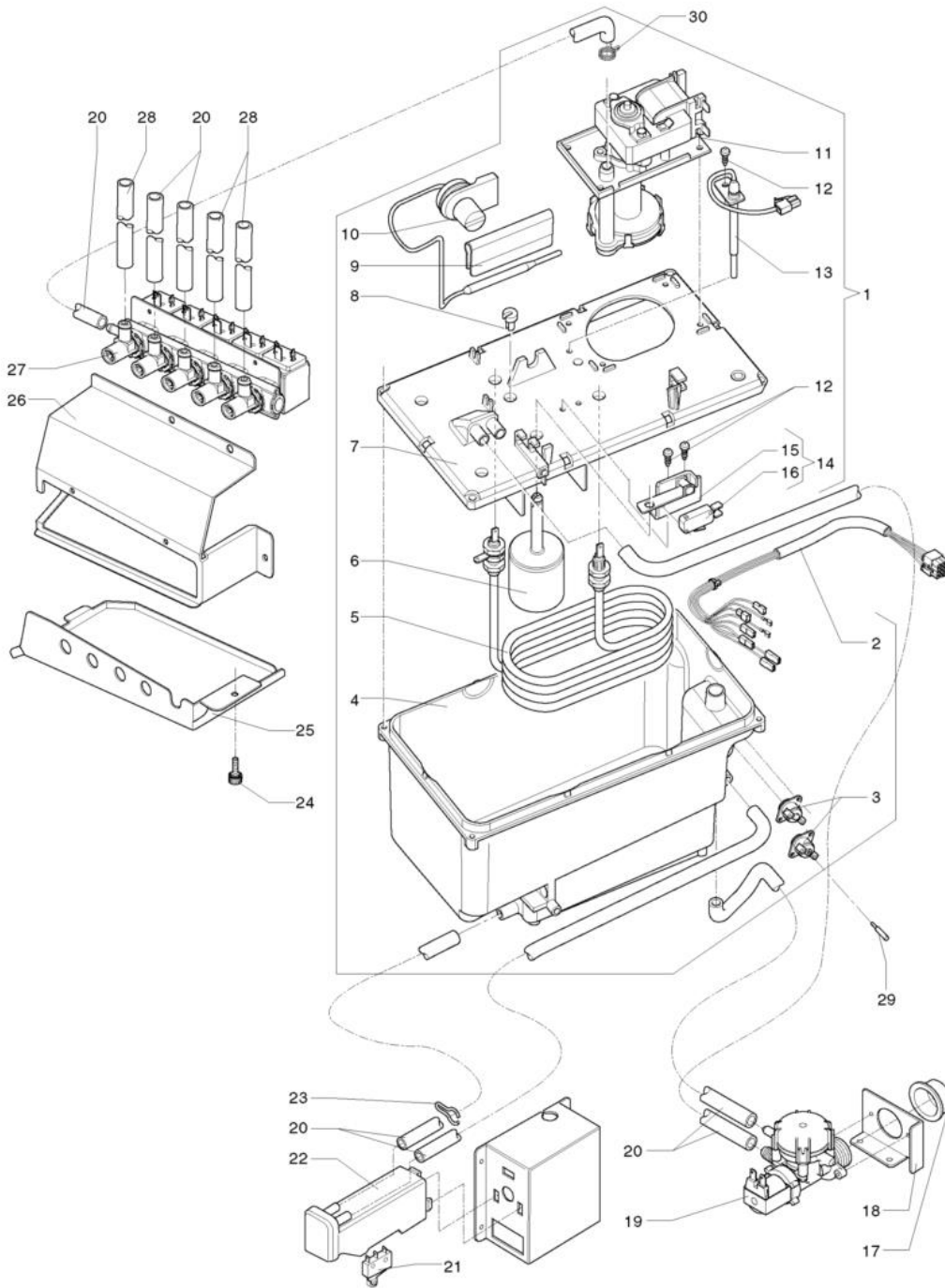
posLbl	Item	Description	Price (Eur)
0001	251753	Z3000L COFFEE ASSEMBLY	169.20
0002	255033	SELF-TAPPING SCREW 4X10	0.06
0003	098818	STOPPING RING D.4	0.12
0004	098569	FLANGE FOR SPRING	1.74
0005	098689	PREINFUSION SPRING	1.63
0006	098567	LID FOR SPRING	0.91
0007	098691	LOWER PISTON GUIDE	1.99
0008	098688	PISTON RETURN SPRING	1.15
0009	251756	RETAINER BUSHING	2.14
0010	090421	GASKET OR 2025	0.26
0011	251759	LOWER PISTON	11.52
0012	251757	SILICONE OR SEAL GASKET	3.36
0013	251755	DIAM. 42 COFFEE FILTER	4.26
0014	094508	SCREW TS M4X10	0.14
0015	252020	TIEROD WITH KNURLED NUT	2.70
0016	098693	ROD CRANK BLOCKING	1.85
0017	098574	ROTATING LEVER	1.92
0018	098692	ROTATING LEVER ROLL	1.27
0019	252491	COFFEE GROUP CRANK	3.72
0020	0V3889	SCREW 6X14	0.18
0021	092717	FIXING COLLAR DIAM MM10	0.53
0022	098565	TRACE FOR PISTON COMMAND	3.48
0023	096569	FIXING COLLAR DIAM 12	0.66
0024	098571	REAR SLEDGE	1.78
0025	255031	SELF-TAPPING SCREW 4,2X26	0.14
0026	251739	Z3000 COFFEE CHUTE	3.42
0027	098575	OSCILLATING LEVER	3.00
0028	251761	COFFEE SCRAPER	2.58
0029	098568	CROSS-BAR	4.44
0030	251758	UPPER PISTON	7.44
0031	091287	OUTER FIXING COLLAR	0.16
0032	098572	FRONT SLEDGE	1.78
0033	251760	OVERSIZE INFUSION CHAMBER	9.36
0034	251101	RH-LH SUPPORT	42.00
0035	253502	PISTON VALVE + SPRING	3.96





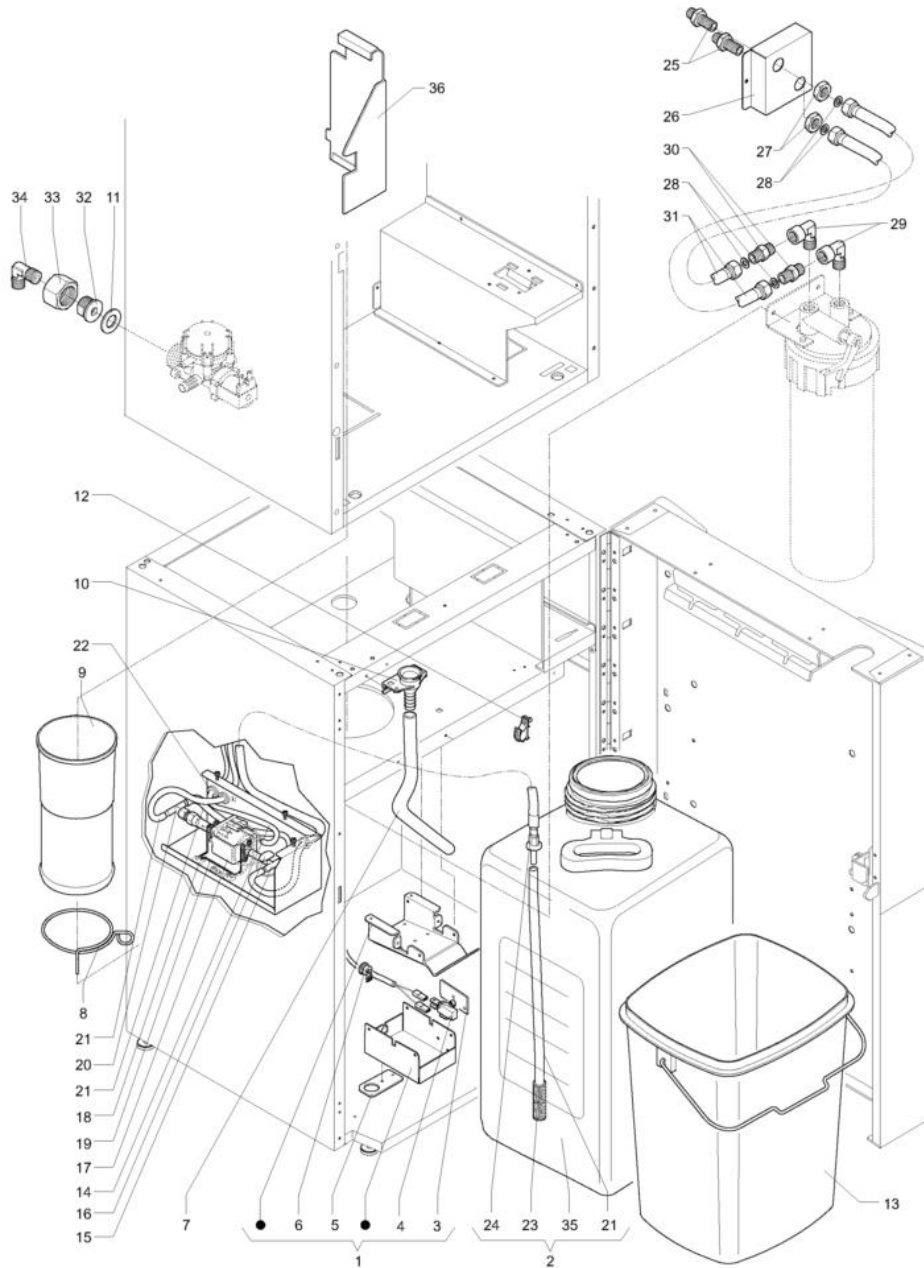
Tea unit (Turkey)

posLbl	Item	Description	Price (Eur)
0001	253235	Z3000 TEA UNIT -TURKISH-	136.80
0002	252277	SCRAPER SPRING	3.36
0003	251101	RH-LH SUPPORT	42.00
0004	098818	STOPPING RING D.4	0.12
0005	098569	FLANGE FOR SPRING	1.74
0006	098689	PREINFUSION SPRING	1.63
0007	098567	LID FOR SPRING	0.91
0008	098691	LOWER PISTON GUIDE	1.99
0009	098688	PISTON RETURN SPRING	1.15
0010	098690	CONTROL BUSH	0.96
0011	090421	GASKET OR 2025	0.26
0012	099490	LOWER PISTON	6.48
0013	093167	SILICONE GASKET OR4118	0.86
0014	098687	COFFEE FILTER	3.24
0015	255047	SCREW M3X10 -INOX-	0.05
0016	098693	ROD CRANK BLOCKING	1.85
0017	098574	ROTATING LEVER	1.92
0018	098692	ROTATING LEVER ROLL	1.27
0019	098573	CRANK	2.76
0020	0V3889	SCREW 6X14	0.18
0021	092717	FIXING COLLAR DIAM MM10	0.53
0022	098565	TRACE FOR PISTON COMMAND	3.48
0023	096569	FIXING COLLAR DIAM 12	0.66
0024	098571	REAR SLEDGE	1.78
0025	255031	SELF-TAPPING SCREW 4,2X26	0.14
0026	251740	COFFEE SCRAPER	2.82
0027	251739	Z3000 COFFEE CHUTE	3.42
0028	098568	CROSS-BAR	4.44
0029	098577	UPPER PISTON	4.02
0030	0V1789	WATER DEFLECTOR	0.65
0031	098572	FRONT SLEDGE	1.78
0032	0V1715	BREWING CHAMBER W/PLUG	9.60
0033	252020	TIEROD WITH KNURLED NUT	2.70
0034	091287	OUTER FIXING COLLAR	0.16
0035	098575	OSCILLATING LEVER	3.00
0036	253411	GASKET O-RING 4112-LOWER PISTON-	0.41
0037	253655	SPACER BUSH	0.29



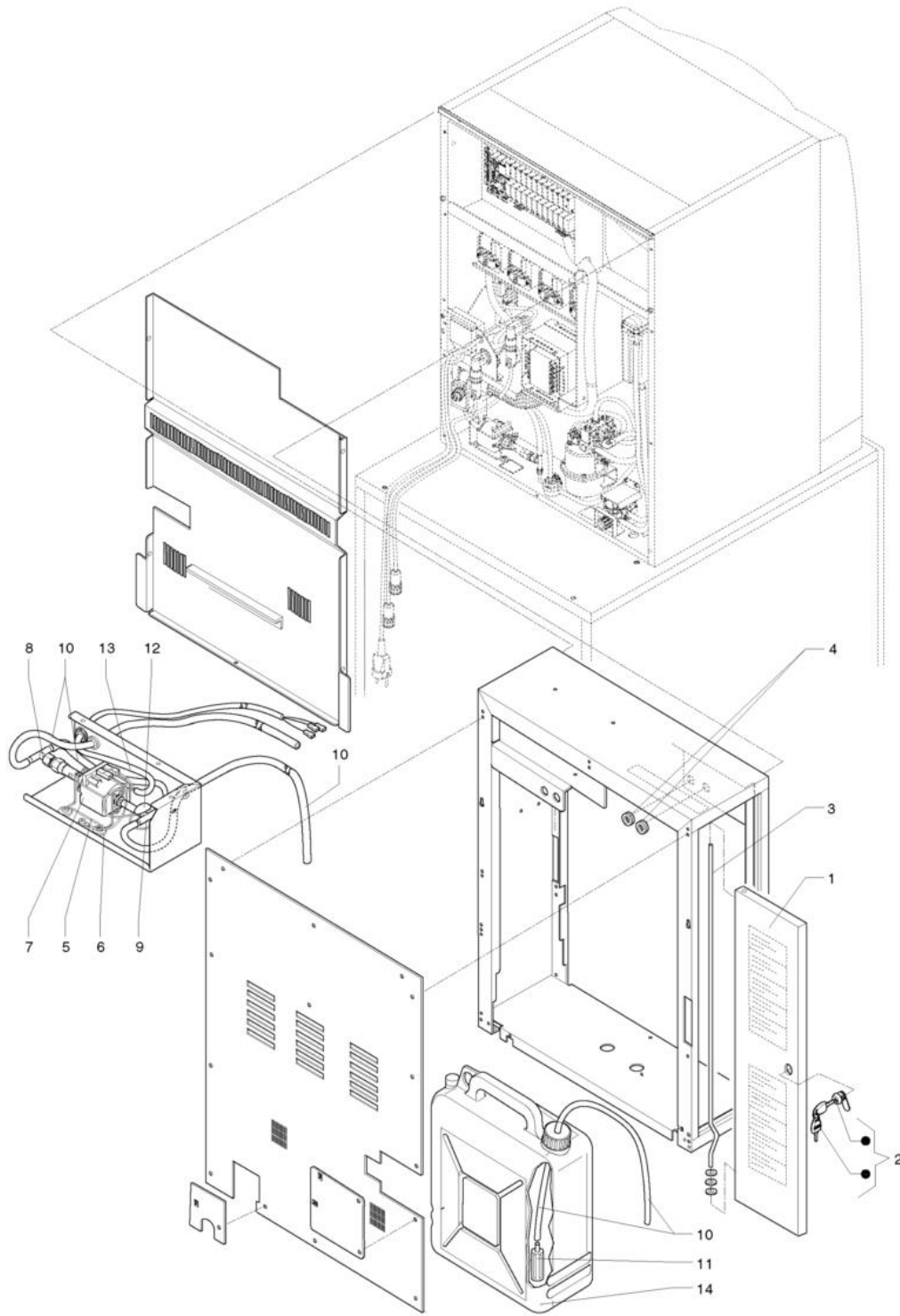


posLbl	Item	Description	Price (Eur)
0001	252578	INSTANT-BOILER COMPLET	396.00
0002	251887	F.B. BOILER BRACKET WIRING	35.40
0003	251890	ANTI-BOIL THERMOSTAT	8.16
0004	251803	BOILER TANK	33.00
0005	251884	2200 WATT RESISTANCE	68.40
0006	251810	FLOAT	7.92
0007	251804	BOILER COVER	13.44
0008	099844	GASKET	2.34
0009	251824	THERMOSTAT BULB CARRIER	11.76
0010	251891	BULB THERMOSTAT	33.00
0011	251823	CENTRIFUGAL PUMP	75.60
0012	255034	PLAIN TIP SELF-TAPPING SCREW 4X12	0.06
0013	251892	PROBE	40.80
0014	252580	LEVEL MONITORING SYSTEM	0.00
0015	252579	MICRO-SWITCH CARRIER PLATE	29.40
0016	251889	SAIA MICRO-SWITCH	7.68
0017	099815	STOPPER	0.13
0018	099436	ELECTROVALVE SUPPORT	1.74
0019	253818	WATER INLET ELECTROVALVE 220V + WIRING	30.00
0020	097512	SILICONE HOSE 6X12 BROWN	5.64
0021	0V1930	MICROSWITCH 'UL'	4.20
0022	0V1350	MICROSWITCH SUPPORT	3.60
0023	092703	TUBE CLAMP	0.42
0024	096977	KNURL	1.03
0025	252350	ELECTROVALVES BOX	28.20
0026	252330	5 ELECTROVALVES-SUPPORT	21.60
0027	252349	5-ELECTROVALVE UNIT	258.00
0028	097511	SILICONE HOSE 6X9BROWN	2.58
0029	0V2074	THERMOSTAT ACTUATOR	1.51
0030	095515	HOSE CLIP DIAM 14	0.28





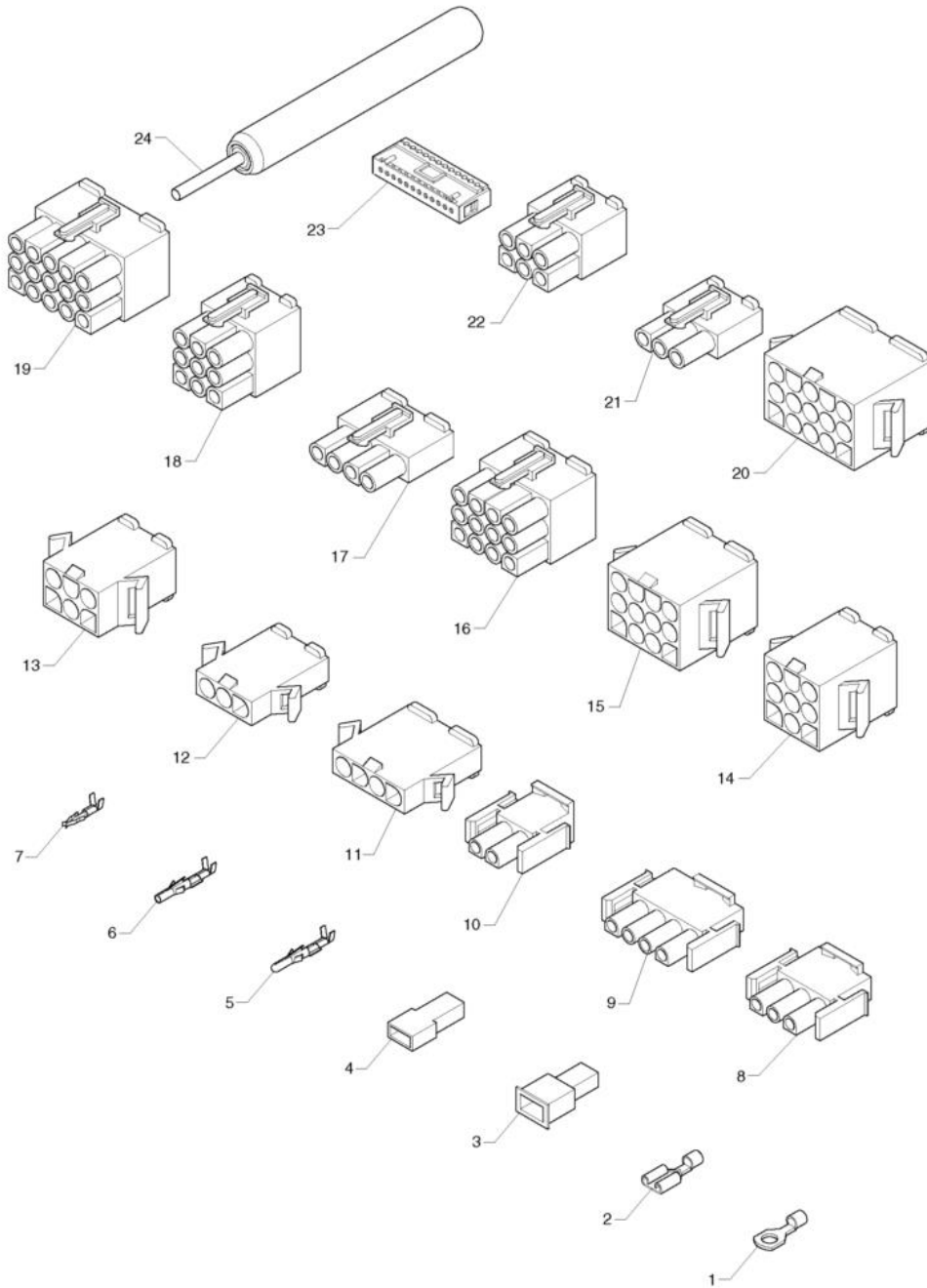
posLbl	Item	Description	Price (Eur)
0001	252188	GROUNDS BUCKET SUPPORT ASSY.	51.60
0002	0V3271	20 LITRE CAN ASSY.	55.20
0003	090681	INSULATING DISK.	0.30
0004	0V1927	MICROSWITCH 'UL'	4.26
0005	252184	GROUNDS TUBE RUNNER	2.10
0006	098489	PASS-WIRE	0.14
0007	098800	TRANSPARENT HOSE (PER METER)	2.64
0008	094048	BAG LOCK COLLAR	1.60
0009	0V3698	USED DOSE DISCHARGE PIPE	6.00
0010	250468	TRAY FUNNEL	1.03
0011	092364	INLET UNION GASKET 3/4	0.59
0012	098459	WIRE-CLIP	0.34
0013	254569	BLUE GROUND BUCKET	13.68
0014	0V2653	SELF-FEEDING PUMP WIRING	12.00
0015	094231	UNION T-SHAPE	0.64
0016	0V1301	110 DEGREES THERMAL OVERLOAD	7.80
0017	099893	PUMP 2.5BAR GLOW WIRE-PLASTIC-	36.00
0018	093091	PUMP DAMPER	0.10
0019	098697	PUMP SUPPORT	4.56
0020	099528	BY-PASS PUMP (2 BAR)	15.12
0021	097512	SILICONE HOSE 6X12 BROWN	5.64
0022	090021	WHIPPING DIAM 12.9 MM	0.36
0023	091536	BOTTOM VALVE	16.92
0024	0V3272	UNION	7.44
0025	0V2199	UNION 1/4	3.42
0026	0V4252	CONNECTIONS SUPPORT	12.72
0027	092652	LOCK NUT 1/4 REV	0.89
0028	094597	COPPER WASHER	0.36
0029	252724	UNION L-SHAPE 3/8	4.32
0030	092535	TERMINAL MALE	4.38
0031	097378	CONNECTION PIPE	40.20
0032	093952	WATER INLET CONNECTION NIPPLE	4.44
0033	093951	TIGHTENING NUT G 3/4	4.50
0034	094334	INTERMEDIATE ELBOW LINK	6.84
0035	252855	20 LITRE CAN	37.20
0036	253210	CAPSULE CONVEYOR	13.92





Back feed cover module

posLbl	Item	Description	Price (Eur)
0001	252649	REAR MODULE DOOR	39.00
0002	252189	LOCK 'MERONI'	13.20
0003	252650	DOOR PIN	14.40
0004	090021	WHIPPING DIAM 12.9 MM	0.36
0005	098697	PUMP SUPPORT	4.56
0006	093091	PUMP DAMPER	0.10
0007	099893	PUMP 2.5BAR GLOW WIRE-PLASTIC-	36.00
0008	099528	BY-PASS PUMP (2 BAR)	15.12
0009	094231	UNION T-SHAPE	0.64
0010	097512	SILICONE HOSE 6X12 BROWN	5.64
0011	091536	BOTTOM VALVE	16.92
0012	0V1301	110 DEGREES THERMAL OVERLOAD	7.80
0013	0V2653	SELF-FEEDING PUMP WIRING	12.00
0014	099523	WATER CANISTER 20L	23.40





posLbl	Item	Description	Price (Eur)
0001	090957	EYELET TERMINAL	0.17
0002	090959	FASTON W/O TONGUE	0.00
0003	091192	FASTON COVER	0.16
0004	090247	FEMALE FASTON COVER	0.14
0005	095955	TERMINAL MALE	0.13
0006	096136	TERMINAL FEMALE	0.18
0007	094405	TERMINAL FEMALE 2,5	0.07
0008	094954	FEMALE HOLDER CONNECTOR 3-WAYS	2.94
0009	098062	4-WAY CONNECTOR MATE-N-LOK AMP	0.72
0010	094955	FEMALE HOLDER CONNECTOR 2-WAYS	0.47
0011	0V0809	4-PIN CONNECTOR/P MOLEX 3191	1.03
0012	0V0808	3-PIN CONNECTOR/P MOLEX 3191	0.84
0013	0V0810	6-PIN CONNECTOR/P MOLEX 3191	1.39
0014	0V0811	9-PIN CONNECTOR/P MOLEX 3191	1.25
0015	0V0812	12-PIN CONNECTOR/P MOLEX 3191	2.14
0016	0V0818	12-PIN CONNECTOR/P MOLEX 3191	0.00
0017	0V0815	4-PIN CONNECTOR/P MOLEX 3191	1.15
0018	0V0817	9-PIN CONNECTOR/P MOLEX 3191	1.25
0019	0V0819	15-PIN CONNECTOR/P MOLEX 3191	2.40
0020	0V0813	15-PIN CONNECTOR/P MOLEX 3191	2.14
0021	0V0814	3-PIN CONNECTOR/P MOLEX 3191	0.72
0022	0V0816	6-PIN CONNECTOR/P MOLEX 3191	1.46
0023	094961	FEMALE HOLDER CONNECTOR P.I. 12-W	1.27
0024	0V0820	MOLEX CONTACT PULLER	61.20