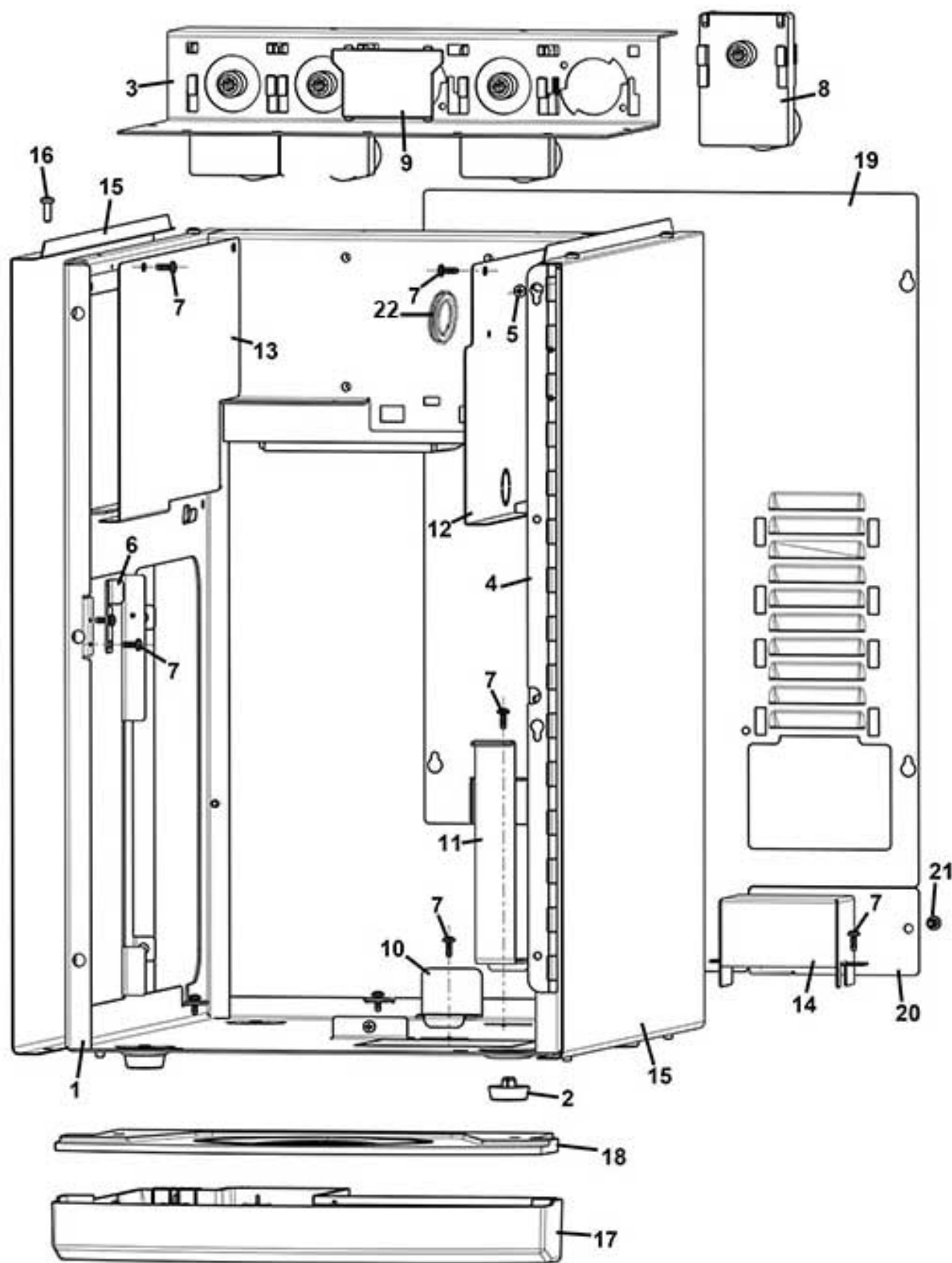


[EC I]



spare parts manual

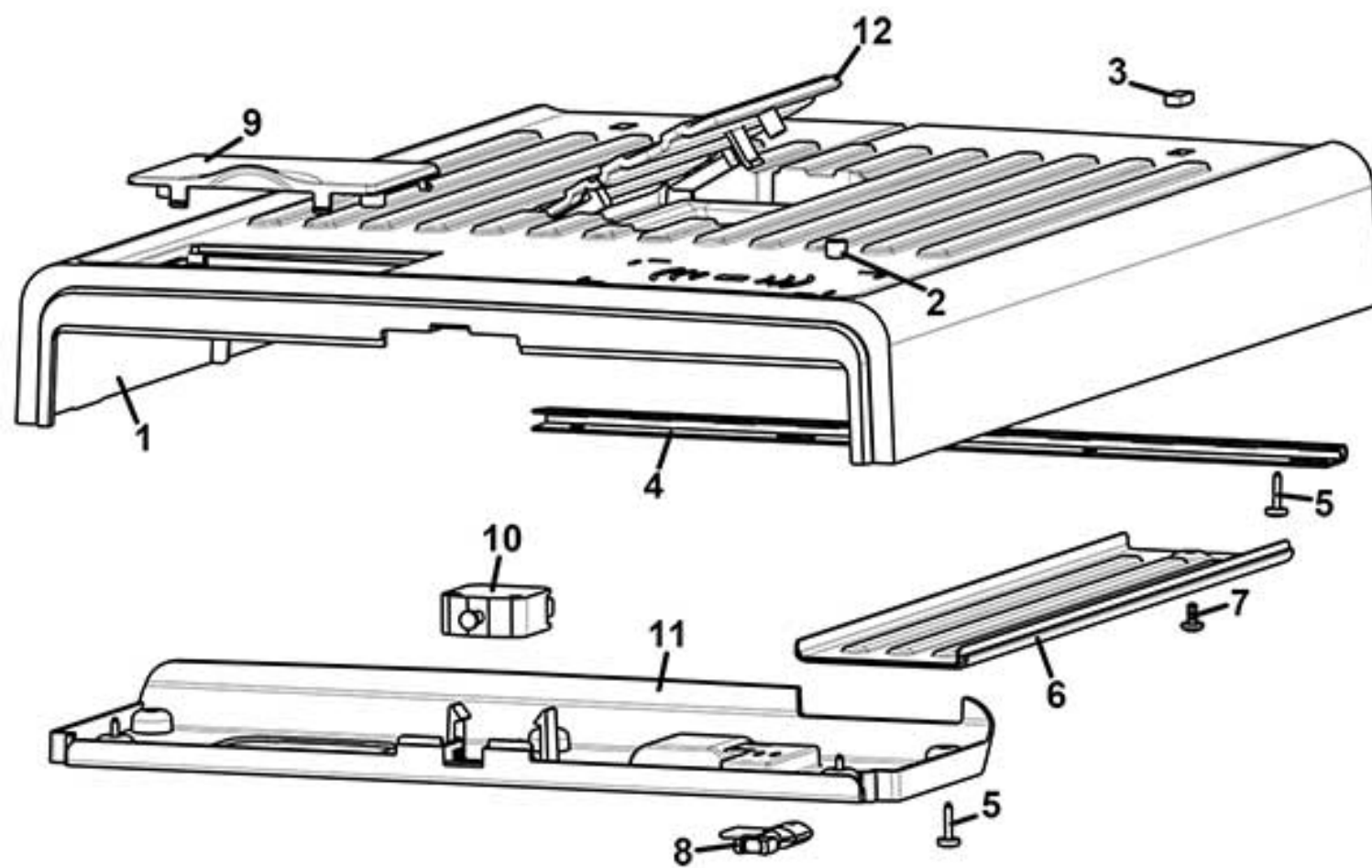


EC I

EC I - cabinet

Pos. Code	Description
1 0010028249NA-04	CABINET (BLACK)
2 GUA0011011	MACHINE FOOT D.25
3 0010028289NA	5 GEARBOX MOTOR PLATE
4 0010028153	DOOR HINGE
5 VIT0002010	SCREW ST HEAD CAP M3.5X9.5
6 0010028284	DOOR LOCK
7 VIT0002401	SCREW ST HEAD CAP M3.5X9.5
8 0090002113	MOTOR 24 DC 97 RPM
9 0010020029NA	GEARBOX MOTOR PLUG BLACK
10 0010020719	BOILER PLATE
11 0010028285	BOILER BRACKET
12 0010028177NA	RIGHT COVER
13 0010028287NA	LEFT COVER
14 0010028237	COVER
15 0010028243NA	RIGHT-LEFT SIDE (BLACK)
16 VIT0000012	SCREW HEAD TAP CAP M4X10
17 0010028282CL	H2O DRIP TRAY
18 0010028281CM	H2O DRIP TRAY GRID RAL 9006
19 0010028172NA	REAR COVER RAL 9005
20 0010028239-01NA	COVER
21 4060010126	PAYM SYSTEM FIXING SCREW
22 GUA0010503	ELECTRICAL GROMMET DG 29

EC I - UPPER COVER

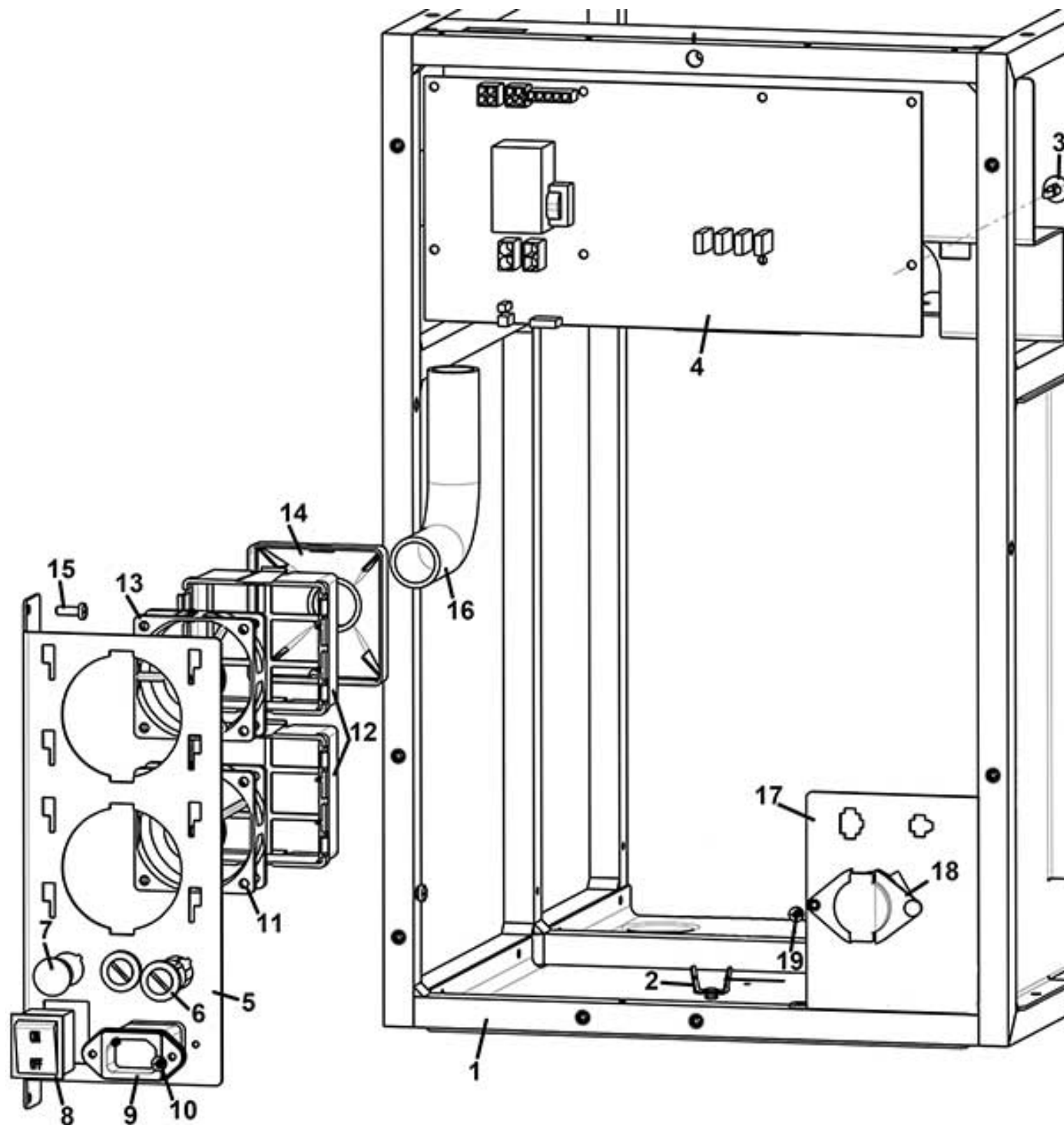


EC I

EC I - UPPER COVER

Pos. Code	Description
1 0010028276CM	UPPER COVER RAL 9006
2 0010027344	RING PLUG
3 0010027343	PLUG SUPPORT COVER
4 0010028158	UPPER HINGE LID
5 VIT0002469	SCREW HEAD TAP M3.5X10
6 0010028280CG	CABLE COVER 7035
7 VIT0002009	SCREW ST HEAD CAP M3.5X6.5
8 0270011109IC	SERVICE KEY RAL2011
9 0010028279CM	DEKA LID RAL 9006
10 ELE0002019	SWITCH 16A 250V
11 0010028277CG	UPPER COVER CLOSING RAL 7035
12 0010028283CM	WATER INLET DOOR (MERCEDES GREY RAL 9006)

EC I - rear cabinet (Unplumbed version)

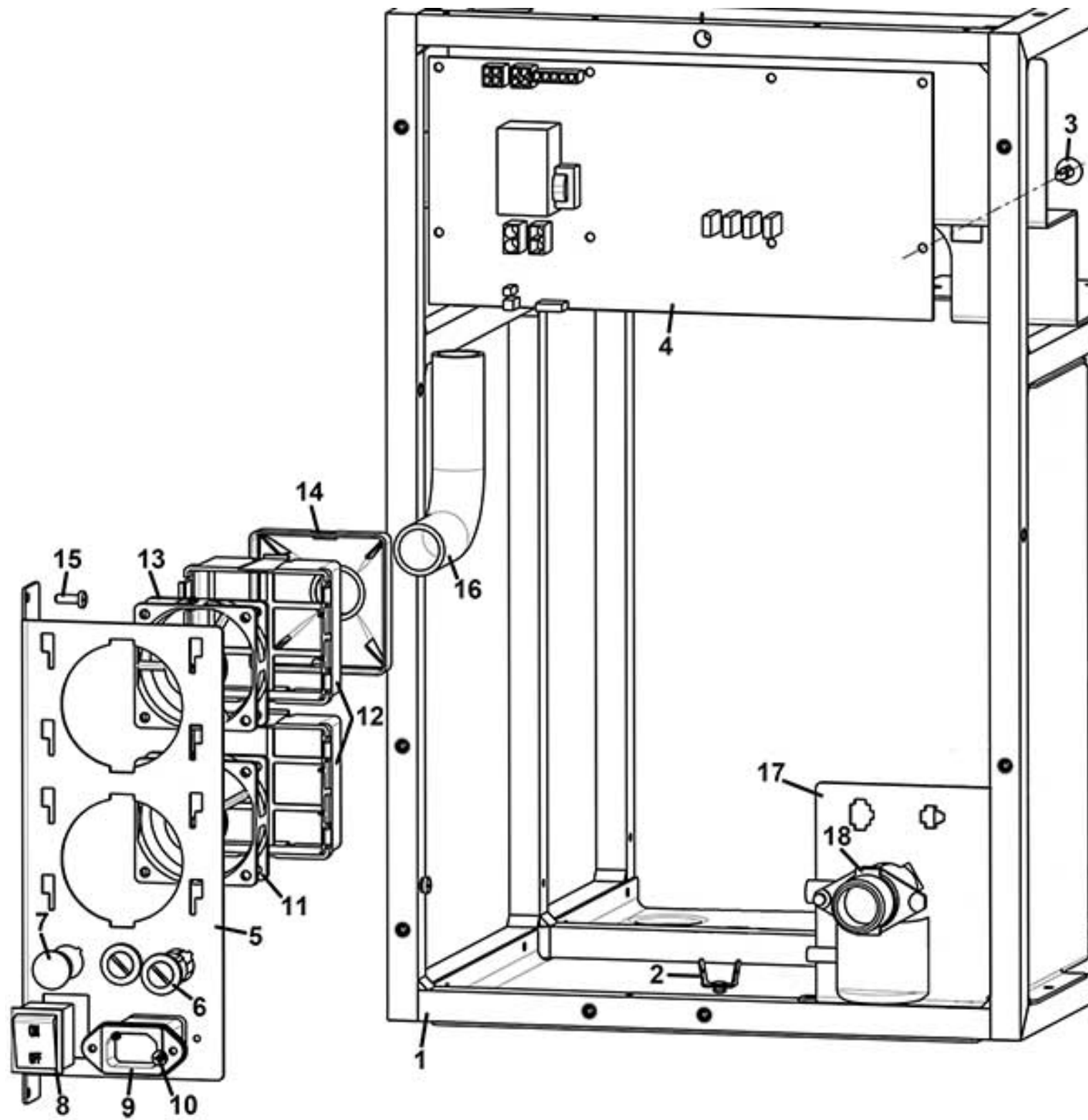


EC I

EC I - rear cabinet (Unplumbed version)

Pos. Code	Description
1 0010028249NA-04	CABINET (BLACK)
2 ELE0060520	GROUND PIN
3 ELE0062020	BOARD SUPPORT
4 SCH0008964	CPU/POWER BOARD
5 0130013061	ELECTRIC COMPONENT SUPP.
6 ELE0003508CL	FUSE HOLDER
7 GUA0011010	PLUG
8 ELE0002014CL3	BIPOLAR SWITCH 15A 250V
9 ELE0002315	MAINS SOCKET 115/250V 10A
10 VIT0002010	SCREW ST HEAD CAP M3.5X9.5
11 ELE0000462	FAN 24V DC-LOW SPEED
12 0010027064	FAN SUPPORT
13 ELE0000461	FAN 24V DC-HIGH SPEED
14 0010027065	FAN CONNECTOR
15 VIT0002401	SCREW ST HEAD CAP M3.5X9.5
16 TEOL000001CL1	EXTRACTOR TUBE D.20 144MM
17 0010028248	HYDRAULIC HOLDER
18 0010020839	INLET H2O VALVE PLUG
19 VIT0002401	SCREW ST HEAD CAP M3.5X9.5

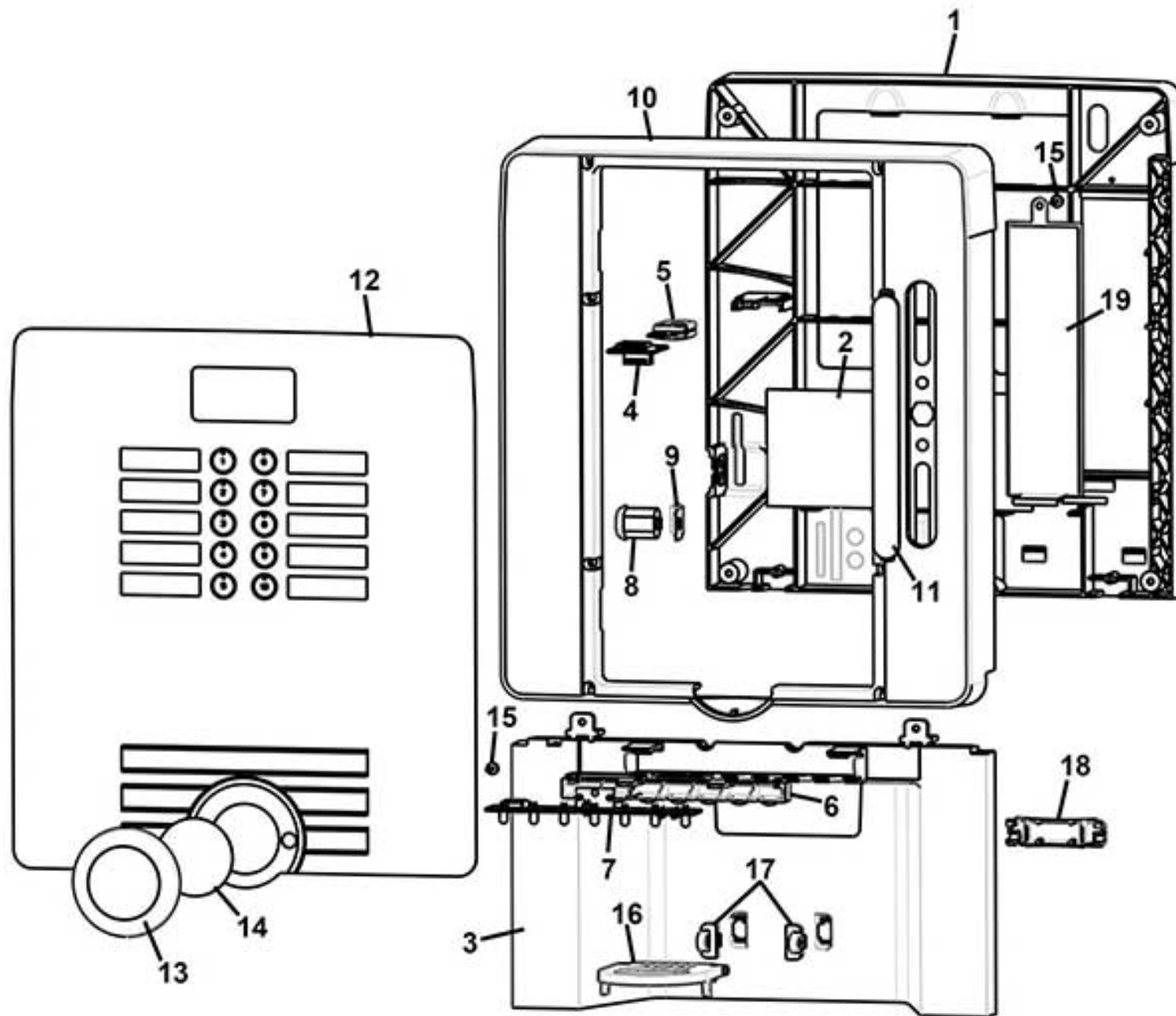
EC I - rear cabinet (Plumbed version)



EC I

EC I - rear cabinet (Plumbed version)

Pos. Code	Description
1 0010028249NA-04	CABINET (BLACK)
2 ELE0060520	GROUND PIN
3 ELE0062020	BOARD SUPPORT
4 SCH0008964	CPU/POWER BOARD
5 0130013061	ELECTRIC COMPONENT SUPP.
6 ELE0003508CL	FUSE HOLDER
7 GUA0011010	PLUG
8 ELE0002014CL3	BIPOLAR SWITCH 15A 250V
9 ELE0002315	MAINS SOCKET 115/250V 10A
10 VIT0002010	SCREW ST HEAD CAP M3.5X9.5
11 ELE0000462	FAN 24V DC-LOW SPEED
12 0010027064	FAN SUPPORT
13 ELE0000461	FAN 24V DC-HIGH SPEED
14 0010027065	FAN CONNECTOR
15 VIT0002401	SCREW ST HEAD CAP M3.5X9.5
16 TEOL000001CL1	EXTRACTOR TUBE D.20 144MM
17 0010028248	HYDRAULIC HOLDER
18 0110001058	WATER INLET VALVE 24V DC

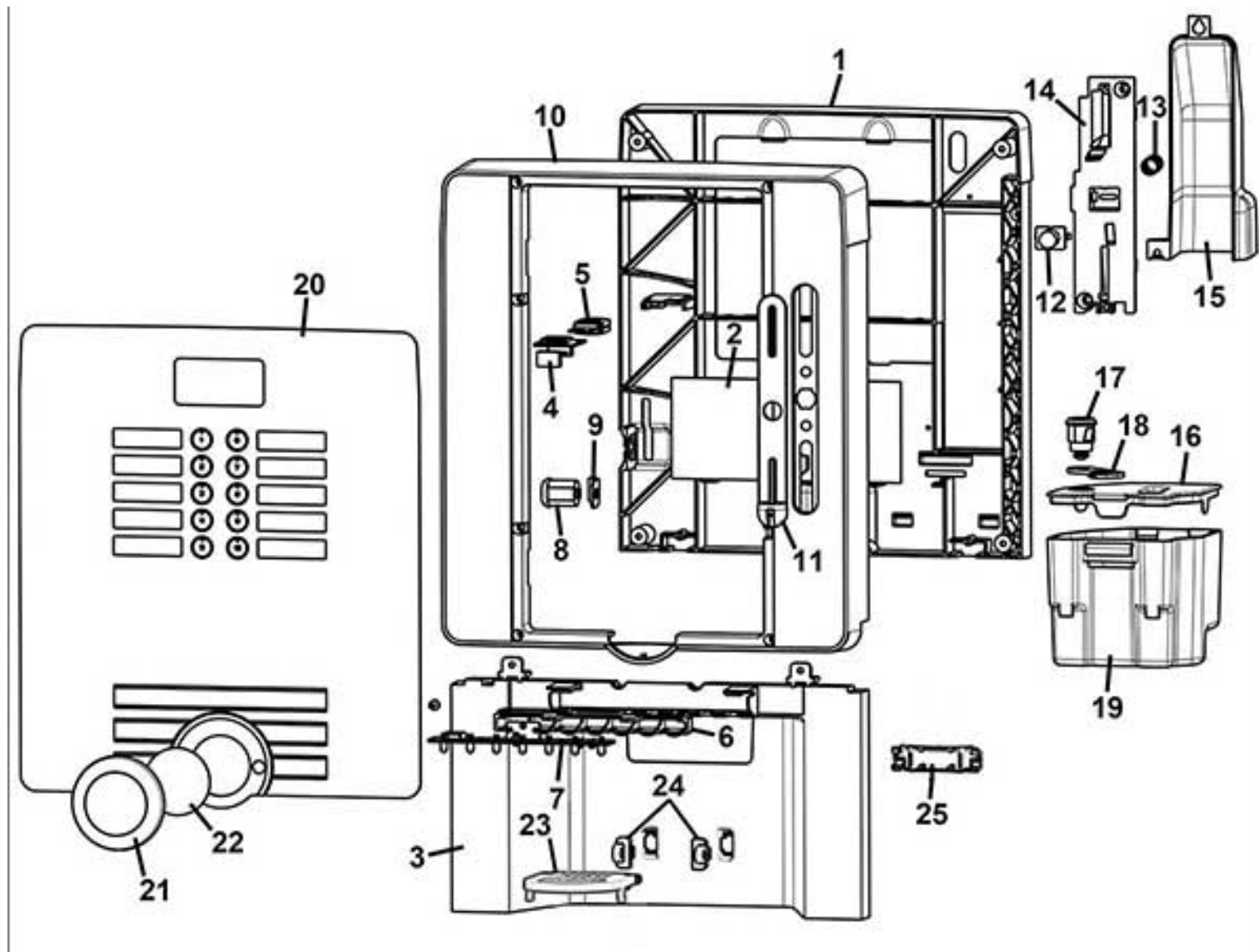


EC I

EC I - door

Pos. Code	Description
1 0020037657NA	DOOR
2 0020037659	LED REFLECTING ADHESIVE LABEL
3 0020037652CM	CUPS STATION FRAME RAL9006
4 SCH0005860	FLASH BOARD
5 0020040310CL	Å§ FLASH MEMORY
6 0020039078TR	CUP STAT.ENLIGHTENMENT SUPPORT
7 SCH0008144	LIGHTING CUP STATION BOARD
8 SER0000028/1	LOCK-STAINLESS STEEL + KEY 3480
9 0010028157	LOCK PLATE
10 0020037653CM	DOOR FRAME RAL9006
11 0020039416	COIN ENTRY BLANK PLATE
12/a 1030000194	GRAP.PANEL NEW FF WHITE
12/b 1030000195	GRAP.PANEL NEW FF BLACK
13 0020039084CL	Å§ DOOR LOGO FRAME
14 1030000188	ADHESIVE LOGO
15 VIT0002469	SCREW HEAD TAP M3.5X10
16/a 0020039072TR-02	CUP SUPPORT (TRANSPARENT)
16/b 0020039072NA-02	CUP SUPPORT BLACK
17/a 0020039073CM	CUP SUPPORT PIN RAL9006
17/b 0020039073NA	CUP SUPPORT PIN BLACK
18 0020039087IC	CUP SUPPORT STOPPER
19 0020037656NA	PAY. SYSTEM COVER

EC I - COIN BOX MECHANISM DOOR

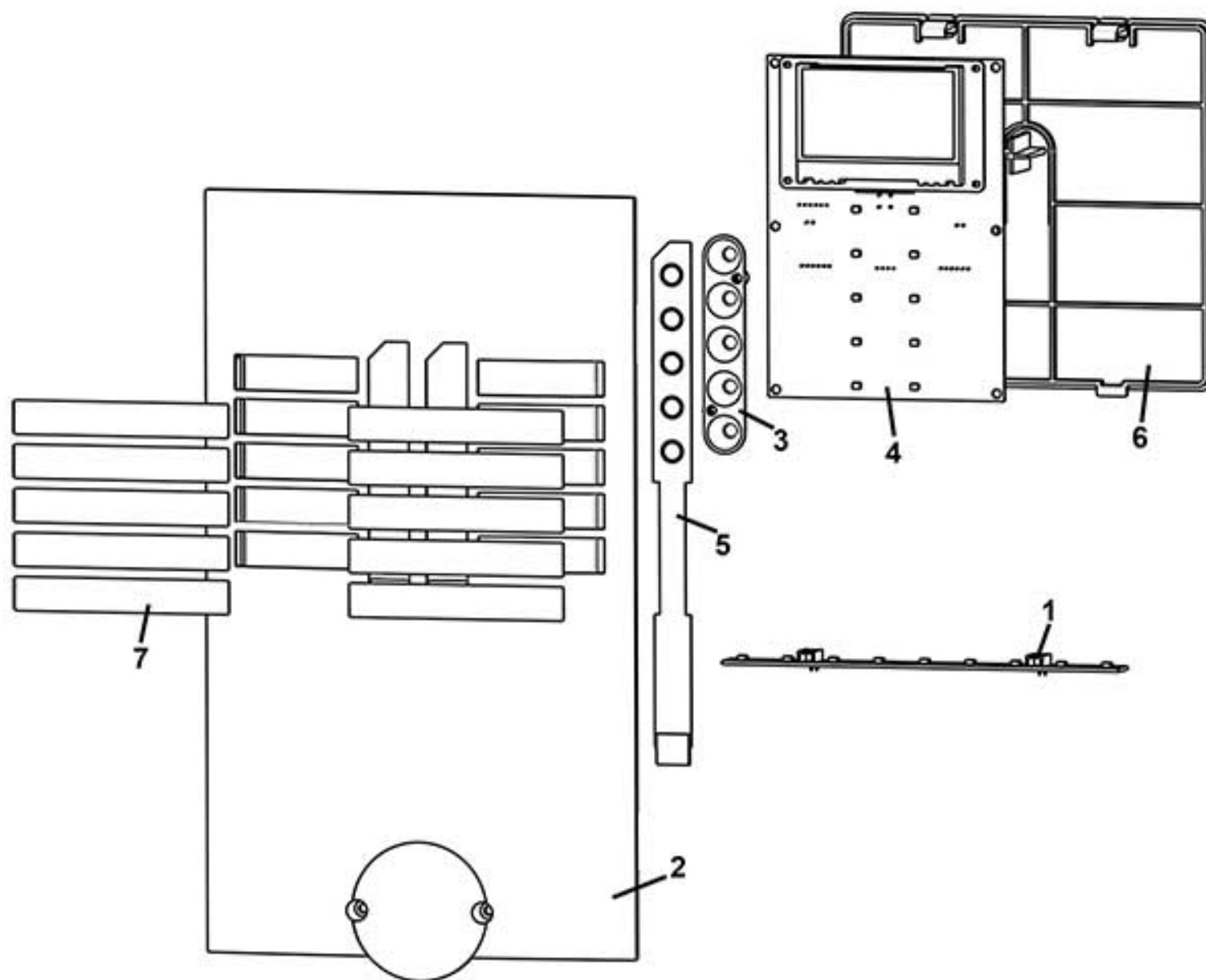


EC I

EC I - COIN BOX MECHANISM DOOR

Pos. Code	Description
1	0020037657NA DOOR
2	0020037659 LED REFLECTING ADHESIVE LABEL
3	0020037652CM CUPS STATION FRAME RAL9006
4	SCH0005860 FLASH BOARD
5	0020040310CL Å§ FLASH MEMORY
6	0020039078TR CUP STAT.ENLIGHTENMENT SUPPORT
7	SCH0008144 LIGHTING CUP STATION BOARD
8	SER0000028/1 LOCK-STAINLESS STEEL + KEY 3480
9	0010028157 LOCK PLATE
10	0020037653CM DOOR FRAME RAL9006
11/a	0020035031CM COIN ENTRY PLATE RAL9006
11/b	0020035031NA COIN ENTRY PLATE BLACK
12/a	0020035033CM COIN RETURN BUTTON RAL9006
12/b	0020035033NA COIN RETURN BUTTON BLACK
13	0020035034 COIN RETURN BUTTON SPRING
14	0020035032NA PAYM SYSTEM SUPPORT
15	0020037656NA PAY. SYSTEM COVER
16	0030010212NA
17	SER0000015 LOCK MM20 +KEY 3430
18	0020037128 COIN BOX HOOK
19	0030010211NA COINS BOX
20/a	1030000196 GRAP.PANEL NEW FF WHITE WITH COINS MECH.
20/b	1030000197 GRAP.PANEL NEW FF BLACK WITH COINS MECH.
21	0020039084CL Å§ DOOR LOGO FRAME
22	1030000188 ADHESIVE LOGO
23/a	0020039072TR-02 CUP SUPPORT (TRANSPARENT)
23/b	0020039072NA-02 CUP SUPPORT BLACK
24/a	0020039073CM CUP SUPPORT PIN RAL9006
24/b	0020039073NA CUP SUPPORT PIN BLACK
25	0020039087IC CUP SUPPORT STOPPER
100	D1019600A0000 KIT WITHOUT COIN MECH. WITH COINS BOX (MERCEDES GREY RAL 9006) From pos. 11 to pos. 19 (excluded pos. 11/b and 12/b)
101	D1019600A1000 KIT WITHOUT COIN MECH. WITH COINS BOX (BLACK) From pos. 11 to pos. 19 (excluded pos. 11/a and 12/a)

EC I - LIGHTING GLASS

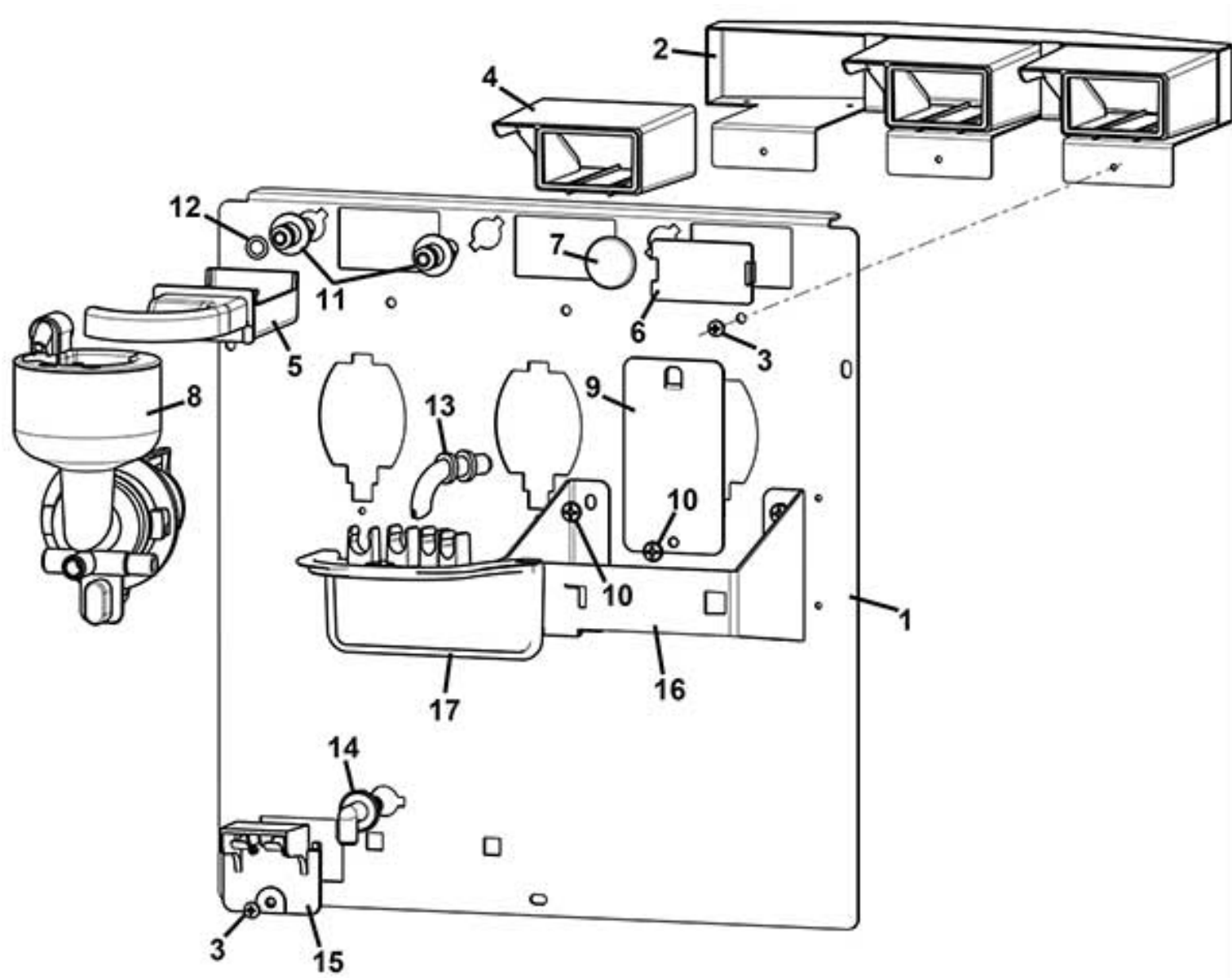


EC I

EC I - LIGHTING GLASS

Pos. Code	Description
1 SCH0008160	LIGHTING BOARD
2 0020037654TR	PLEXIGLASS GRAPHIC PANEL
3 0020039079NA	GUIDE
4 SCH0008980CL	Å§ DISPLAY BOARD 128X64
5 ELE0000470	KEYPAD 5 BUTTONS-RIGHT
6 0020037655IC	DOOR COVERRAL2011
7	Communicate the serial number of the machine during the order

EC I - mixer plan (instant version)

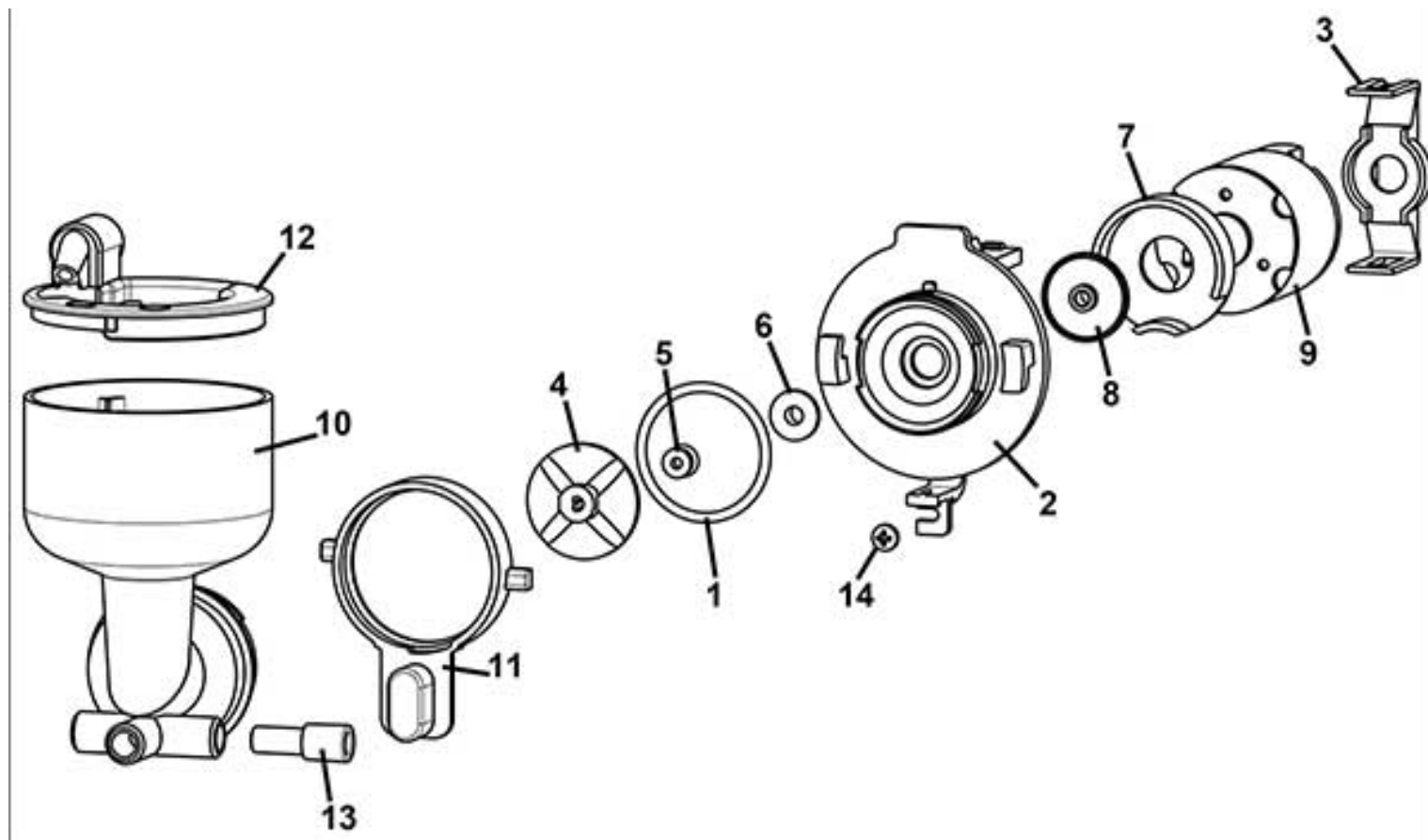


EC I

EC I - mixer plan (instant version)

Pos. Code	Description
1 0070030361NA	3 MIXERS SUPPORT
2 0010028258	FAN SUPPORT
3 VIT0002009	SCREW ST HEAD CAP M3.5X6.5
4 0010027214	TRAP DRAWER
5 0010027022	TRAP DRAWER REMOVABLE
6 0010027039NA	TRAP PLUG
7 0080100035NA	CONNECTOR PLUG BLACK
8	See table mixer
9 0010020028NA	MIXER PLUG BLACK
10 VIT0002401	SCREW ST HEAD CAP M3.5X9.5
11 0080100043	MIXER CONNECTOR (BLACK)
12 GUA0000085	OR 106 SILICON
13 0010020052	PRODUCT NOZZLE
14 0080100084	90° CONNECTOR
15 0010020836CL	Å§ DRIP TRAY SENSOR SUPPORT
16 0380020003NA-02	NOZZLES HOLDER
17 0380020001NA	NOZZLES HOLDER

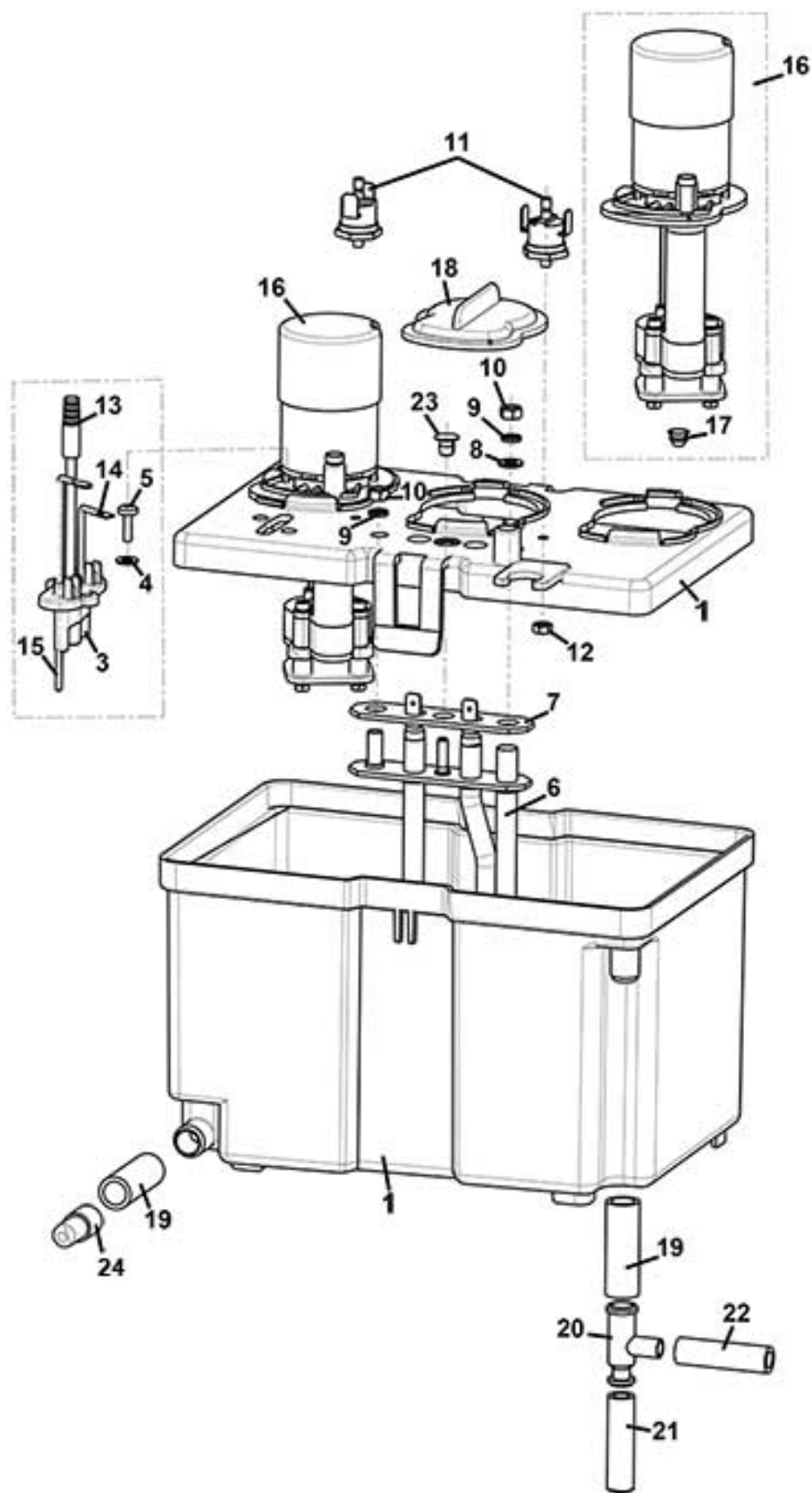
EC I - mixer



EC I

EC I - mixer

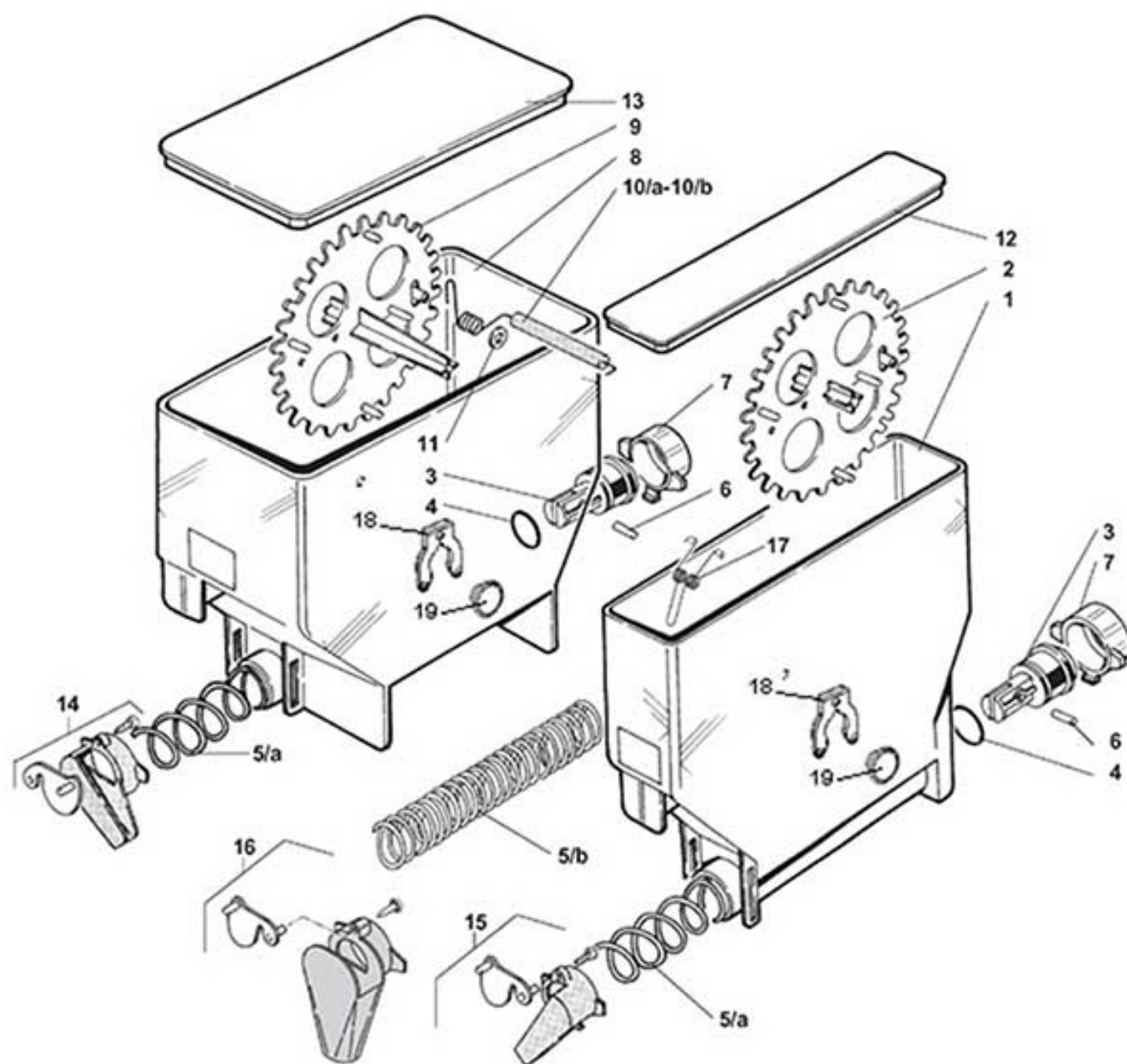
Pos. Code	Description
1 GUA0000084	OR 3131
2 0080100005	MOTOR MIXER BASE
3 0080100009IC	MIXER MOTOR SUPPORT RAL2011
4 0080100011	MIXER FAN
5 0080100101	MIXER SHAFT GASKET
6 0080100015	MIXER BUSH
7 0080100023IC	MIXER COVER RAL2011
8 0080100024	MIXER FAN
9 0090003023	MIXER MOTOR 24V DC SHAFT D.4
10/a 0080200110L	MIXING BOWL L.W/H20 BREAKER
10/b 0080200111R	MIXING BOWL R.W/H20 BREAKER
10/c 0080200112C	MIXING BOWL F.W/H20 BREAKER
11 0080100006IC	LOCK RING RAL2011
12 0080100042	MIXER RING W/INLET PIPE
13 0080100095	TUBE REDUCER4.0
14 VIT0002401	SCREW ST HEAD CAP M3.5X9.5
100 0080100001R	Å§ MIXER BOWL BASE+MOTOR (from pos.1 to pos.9)



EC I

EC I - boiler

Pos. Code	Description
1 0600016401R	Å§ TANK+BOILER COVER
3 0600016089	PROBE SUPPORT
4 VIT0003211	WASHER 4,3X9X0,8
5 VIT0001005	SCREW HEAD TAP CAP M4X12
6 0600016137R	Å§ HEATING ELEMENT 1300W 230V
7 0600016084	HEATING ELEMENT GASKET
8 VIT0003203	WASHER 5,3X10X1
9 VIT0003111	SPRING WASHER 5,3
10 VIT0004804	NUT M5
11 ELE0000965	CLIXSON 88Å°
12 VIT0004816	NUT M4
13 ELE0000963R	Å§ TEMPERATURE PROBE+SENSOR
14 0600016054	MAXIMUM LEVEL PROBE
15 0600016053	MINIMUM LEVEL PROBE
16 0600016405R	Å§ BOILER PUMP
17 0080100101	MIXER SHAFT GASKET
18 0600016422	PUMP LID
19 TSIL10/14T	SILICON HOSE 10X14
20 0600016028	T CONNECTOR
21 TSIL06/11T	SILICON HOSE 6X11
22 TSIL06/09T	SILICON HOSE 6X9
23 0230030154	PLUG
24 650001057	DRAINER PLUG
100 0600016400CL2	Å§ BOILER 230V-2PUMPS-UNPLUMBED
101 0600016400CL3	Å§ BOILER 230V-3PUMPS-UNPLUMBED
102 0600016420CL2	Å§ BOILER 230V-3PUMP-PLUMBED

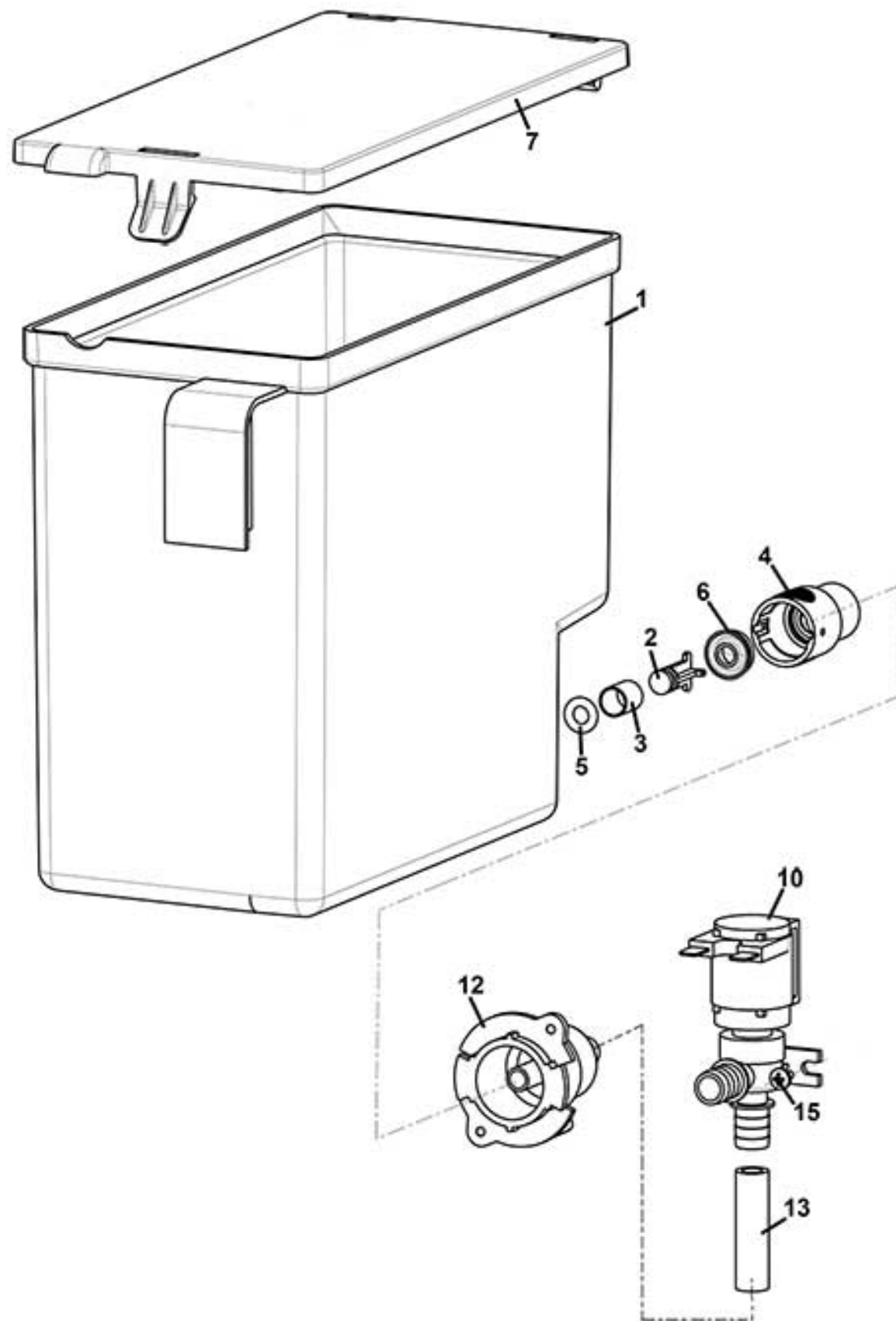


EC I

EC I - product containers

Pos. Code	Description
1 0230030500	INGREDIENT CANISTER 54 190
2 0230030236AB	WHEEL (PLASTIC)
3 0230030012	SPIRAL PIN
4 GUA0000083	OR 123
5/a 0230030014	SPIRAL 18
5/b 0230030013	SPIRAL 9
6 VIT0005106	SPRING PIN 2X14
7 0230030011	REAR BUSH
8 0230030520	INGREDIENT CANISTER 110-190
9 0230030237AB	DOUBLE WHEEL (PLASTIC)
10/a 0230030064	AGITATOR 112-RIGHT OUTLET
10/b 0230030062	PRODUCT AGITATOR 112-LEFT
11 VIT0003210	WASHER 8,4X16X1,6
12 0230030156	CANISTER 54 LID
13 0230030158	CANISTER 110 LID
14/a 0230030058R	Â§ INGRED. CHUTE-RIGHT ORANGE
14/b 0230030044R	Â§ INGREDIENT CHUTE-RIGHT RED
15/a 0230030057R	Â§ INGREDIENT CHUTE-LEFT ORANGE
15/b 0230030043R	Â§ INGREDIENT CHUTE-LEFT RED
16 0230030059R	Â§ INGRED. CHUTE-FRONTALORANGE
17 0230030060-04	ANTIBRIDGING
18 0230030239	WHEEL PIN FORK
19 0230030238	WHEEL PIN
100 0230030522R	Â§ CAN. 110-190 AGIT.18 W/LID-R
101 0230030525R	Â§ CAN. 110-190 AGIT.18 W/LID-L
102 0230030506R	Â§ CANIS. 54-190 WHEEL18 W/LID
103 0230030502R	Â§ CANIS. 54-190 WHEEL9 W/LID

EC I - UNPLUMBED WATER TANK



EC I

EC I - UNPLUMBED WATER TANK

Pos. Code	Description
1 0800012005PF	WATER TANK
2 0800012009	WATER TANK CLOSING PIN
3 0800012012	PIN SPRING
4 0800012008	TANK HOLDER
5 GUA0000082	SILOCONE GASKET D.6
6 GUA0002008	SILICON GASKET DE 062
7 0230030009	CANISTER 112 LID
10 0110001103	VALVE 2W 24V DC
12 0800012015	WATER TANK CONNECTOR
13 TSIL07/11T	SILICON HOSE 7X11
15 VIT0002401	SCREW ST HEAD CAP M3.5X9.5
100 0800012010R	Å§ WATER TANK W/LID (from pos.1 to pos.7)