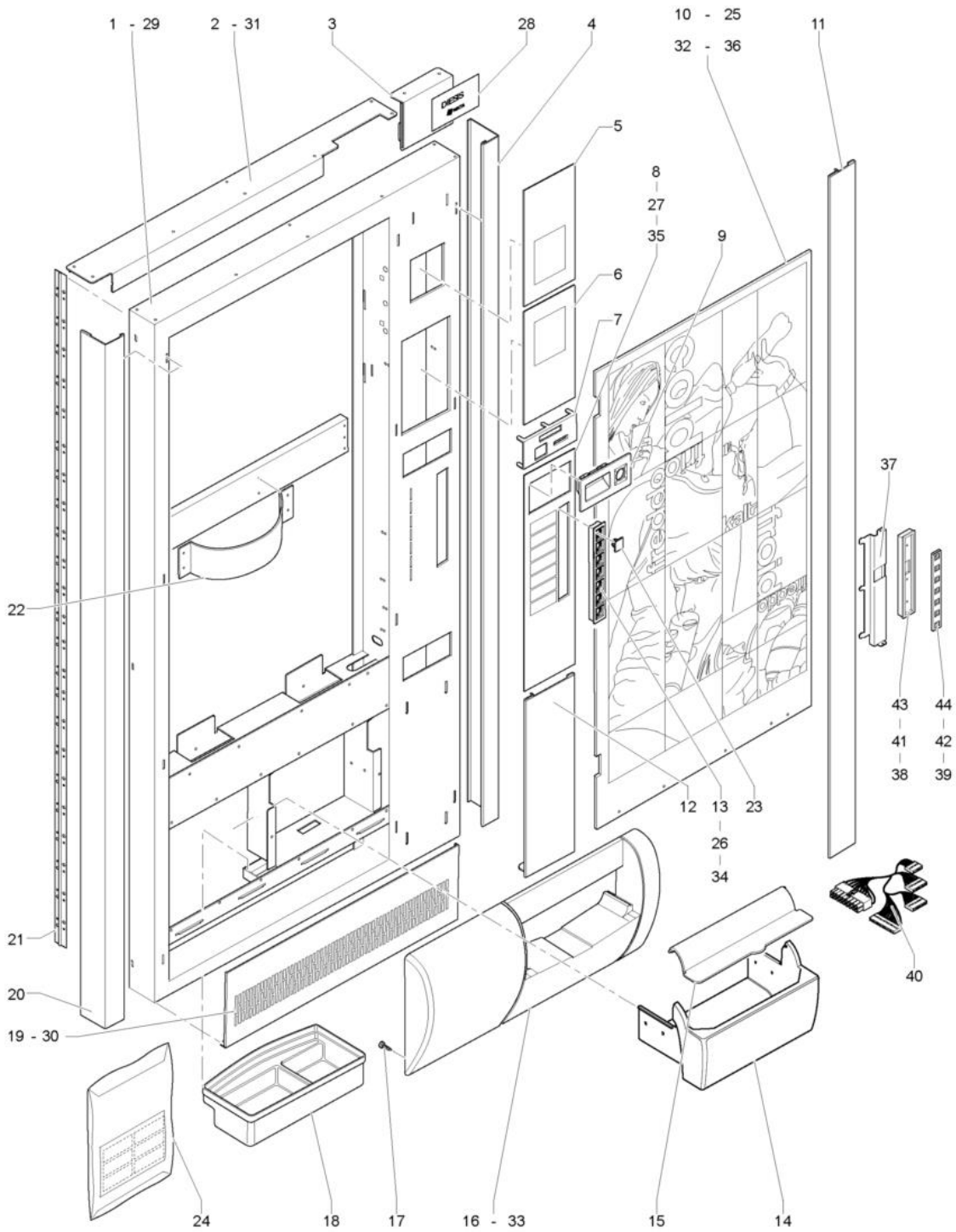




- 1 Door, external side
- 2 Door, internal side
- 3 Counter-door
- 4 Cabinet
- 5 Electric system
- 6 Carriage
- 7 Cooling unit
- 8 Pin and connectors



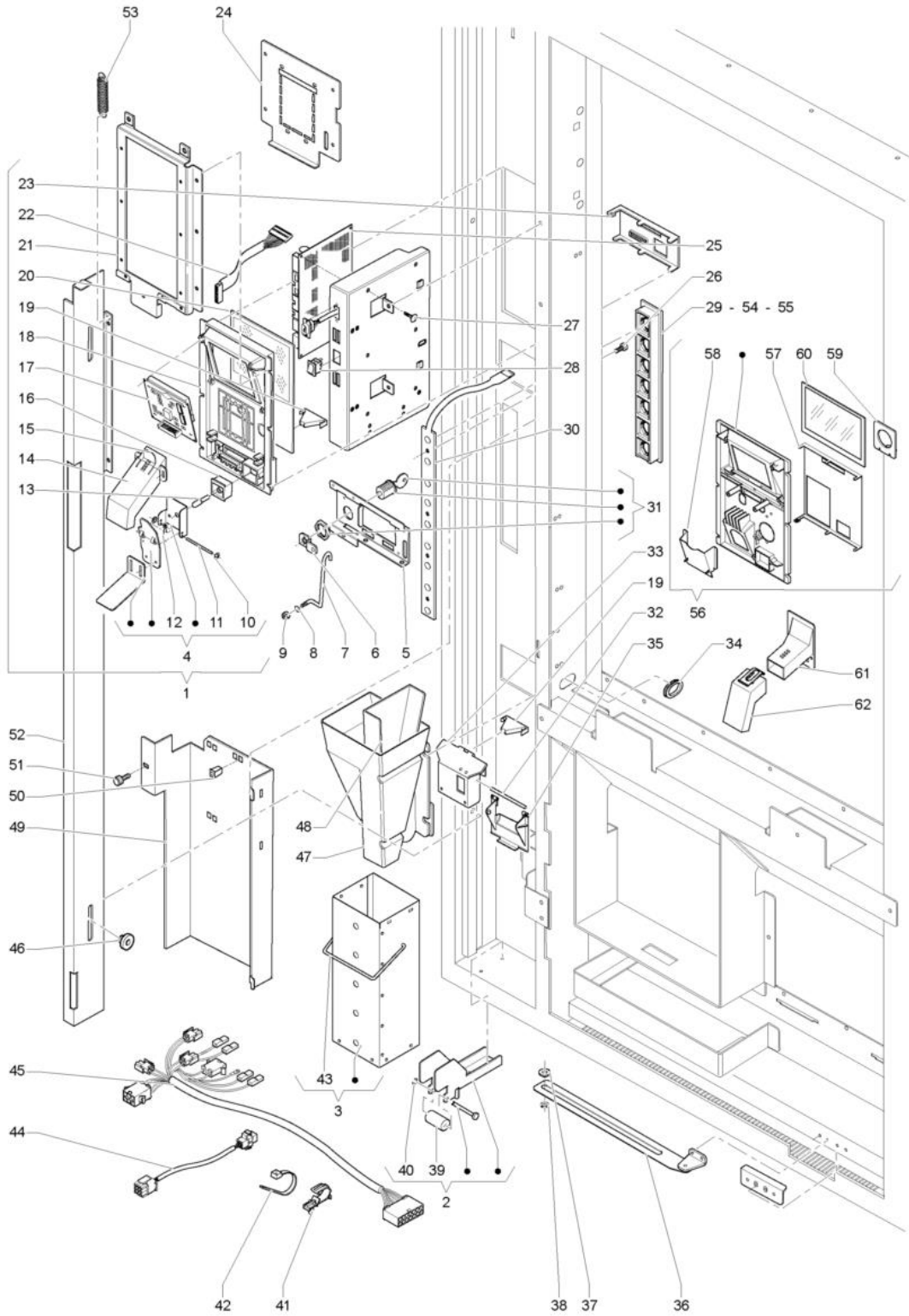


## Door, external side

posLbl	Item	Description	Price (Eur)
0001	253936	DOOR ASSEMBLED 700	384.00
0002	253884	UPPER DOOR HEAD 700	23.40
0002	254714	DOOR UPPER HEAD 700	21.24
0003	253880	UPPER INTERFACE PANEL	12.96
0003	254713	UPPER INTERFACE PANEL	12.96
0004	253887	DOOR RIGHT PROFILE	39.60
0004	254717	DOOR RIGHT PROFILE	39.60
0005	253914	UPPER LABEL	23.40
0006	254028	DISPLAY ELEMENT PANEL	18.36
0007	253882	COIN SLOT MOLDING	12.00
0008	253913	LOWER LABEL 7 SEL.	58.80
0009	253899	HANDLE	7.44
0010	254281	PHOTOGRAPHIC PANEL 700 -COLLAGE-	0.00
0011	253886	CENTRAL DOOR PROFILE	35.40
0011	254716	CENTRAL DOOR PROFILE	38.40
0012	253879	LOWER INTERFACE PANEL	19.80
0013	253905	PUSH-BUTTON PANEL 7 SELECTIONS	11.76
0014	253907	DISPENSING COMPARTMENT	40.20
0015	253930	DISPENSING COMPARTMENT DOOR + PIN	35.40
0016	253904	CONVEX PROFILE 700	52.80
0017	987628	EJOT-PT-SCREW 30X8	0.06
0018	0V1915	TRAY	17.28
0019	253885	LOWER DOOR HEAD 700	34.80
0020	253888	LEFT DOOR PROFILE	39.60
0020	254718	LEFT DOOR PROFILE	42.60
0021	253927	DOOR HINGE	33.60
0022	253900	ANTI-BREAKING PROTECTION	20.88
0023	254249	DIRECT SELECTION PUSH BUTTON	4.50
0024	254035	DOOR MONEY PLATE	11.04
0025	254405	PHOTOGRAPHIC PANEL 700 -DOLCE VITA-	264.00
0026	254160	PUSH-BUTTON PANEL 9 SELECTIONS	13.20
0027	254452	LOWER LABEL 9 SEL.	79.20
0028	254457	DIESIS LOGOTYPE ADHESIVE	15.84
0029	254444	DOOR ASSEMBLED 500	390.00
0030	254435	LOWER DOOR HEAD 500	27.60
0031	254436	UPPER DOOR HEAD 500	19.08
0031	254715	UPPER DOOR HEAD 500	19.44
0032	254439	PHOTOGRAPHIC PANEL 500 -COLLAGE-	194.40
0033	254438	CONVEX PROFILE 500	49.20
0034	254248	CONTROL PANEL 5 SELECTION	12.00
0035	254440	LOWER LABEL 5 SEL.	82.80
0036	254453	PHOTOGRAPHIC PANEL 500 -DOLCE VITA-	201.60
0037	257832	SUPPORT BUTTON PAD	7.80
0038	258541	7 SELECTION KEY PAD SUPPORT	8.40



posLbl	Item	Description	Price (Eur)
0039	258542	7 SELECTION KEYPAD LED	169.20
0040	257828	WIRING LIT KEYPAD DIESIS	34.80
0041	258574	9 SELECTION KEY PAD SUPPORT	9.24
0042	258575	9 SELECTION LED KEYPAD	172.80
0043	258539	5 SELECTION KEY PAD SUPPORT	7.80
0044	258540	5 SELECTION KEYPAD LED	144.00





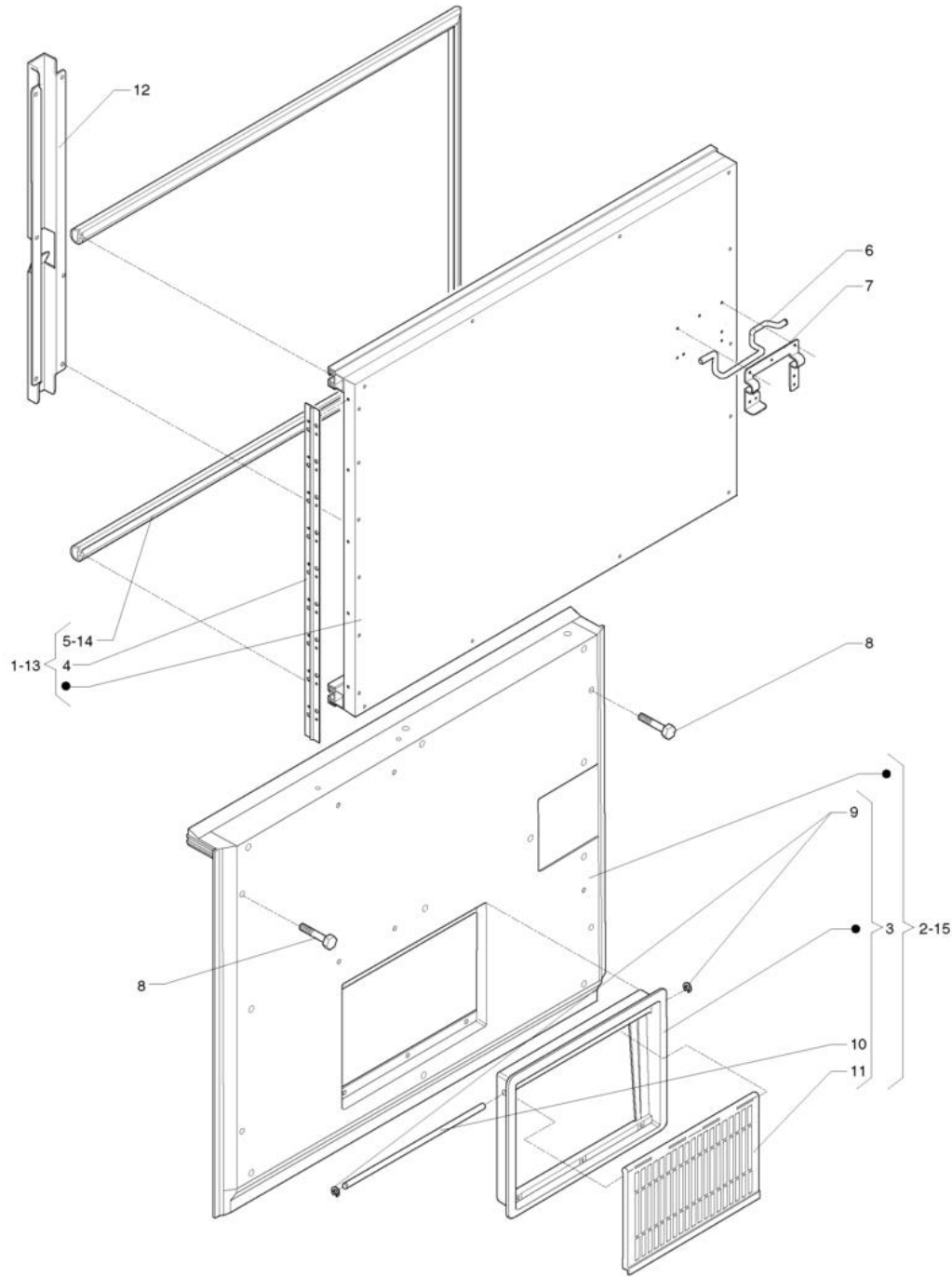
## Door, internal side

posLbl	Item	Description	Price (Eur)
0001	253932	COIN INSERT PIECE	336.00
0002	253929	DOOR ROLLER ASSEMBLY	30.60
0003	253933	MONEY BOX COMPLETE	57.60
0004	253931	COIN RETURN ASSY.	33.60
0005	253874	HANDLE REINFORCEMENT	3.42
0006	253883	LATCH	1.13
0007	253891	LOCK PIN	9.36
0008	093342	COTTER 2X15 UNI	0.05
0009	091703	SELF-BLOCKING NUT M4	0.10
0010	093754	BENZING COLLAR QUICKBLOCK BQ DIAM MM	0.10
0011	099355	CHANGE GIVING PIN	1.74
0012	099356	SPRING FOR CHANGE	0.24
0013	099351	ACTIVATOR	2.52
0014	0V2084	LOWER COIN SLOT CHUTE	4.32
0015	099357	UPPER SLIDE	2.52
0016	253912	COIN RETURN BUTTON	1.13
0017	253925	DISPLAY	190.80
0018	253909	DISPLAY SUPPORT	30.60
0019	253911	CENTRAL LIGHT DIFFUSER	3.24
0020	254028	DISPLAY ELEMENT PANEL	18.36
0021	253873	DISPLAY SUPPORT	33.00
0022	253920	DISPLAY WIRING	15.84
0023	253882	COIN SLOT MOLDING	12.00
0024	253928	DOOR UPPER ELEMENT	8.76
0025	253924	CPU BOARD	230.40
0026	255034	PLAIN TIP SELF-TAPPING SCREW 4X12	0.06
0027	097175	CARD SPACER	0.22
0028	097807	BUTTON	2.88
0029	253905	PUSH-BUTTON PANEL 7 SELECTIONS	11.76
0030	253922	9-PUSH-BUTTON MEMBRANEPANEL	73.20
0031	099905	LOCK RIELDA-MOD.503-	34.20
0032	254159	SLIDER PIN	2.17
0033	253955	BOARD COIN RETURN SUPPORT	8.16
0034	093916	WHIPPING OVAL	0.34
0035	254158	COIN RECOVERY OPENING	10.32
0036	0V2160	DOOR STOP	9.60
0037	250160	DOOR STOP SPACER	1.78
0038	093470	FLAT WASHER MM 6,4	0.04
0039	0V0601	ROLLER	0.44
0040	093198	CIRCULAR JUNK RING .	0.12
0041	098165	WIRE-FIXING	0.11
0042	090148	CLIP	0.05
0043	253890	COIN BOX HANDLE	8.04
0044	253921	BDV COIN MECHANISM WIRING	24.00



## Door, internal side

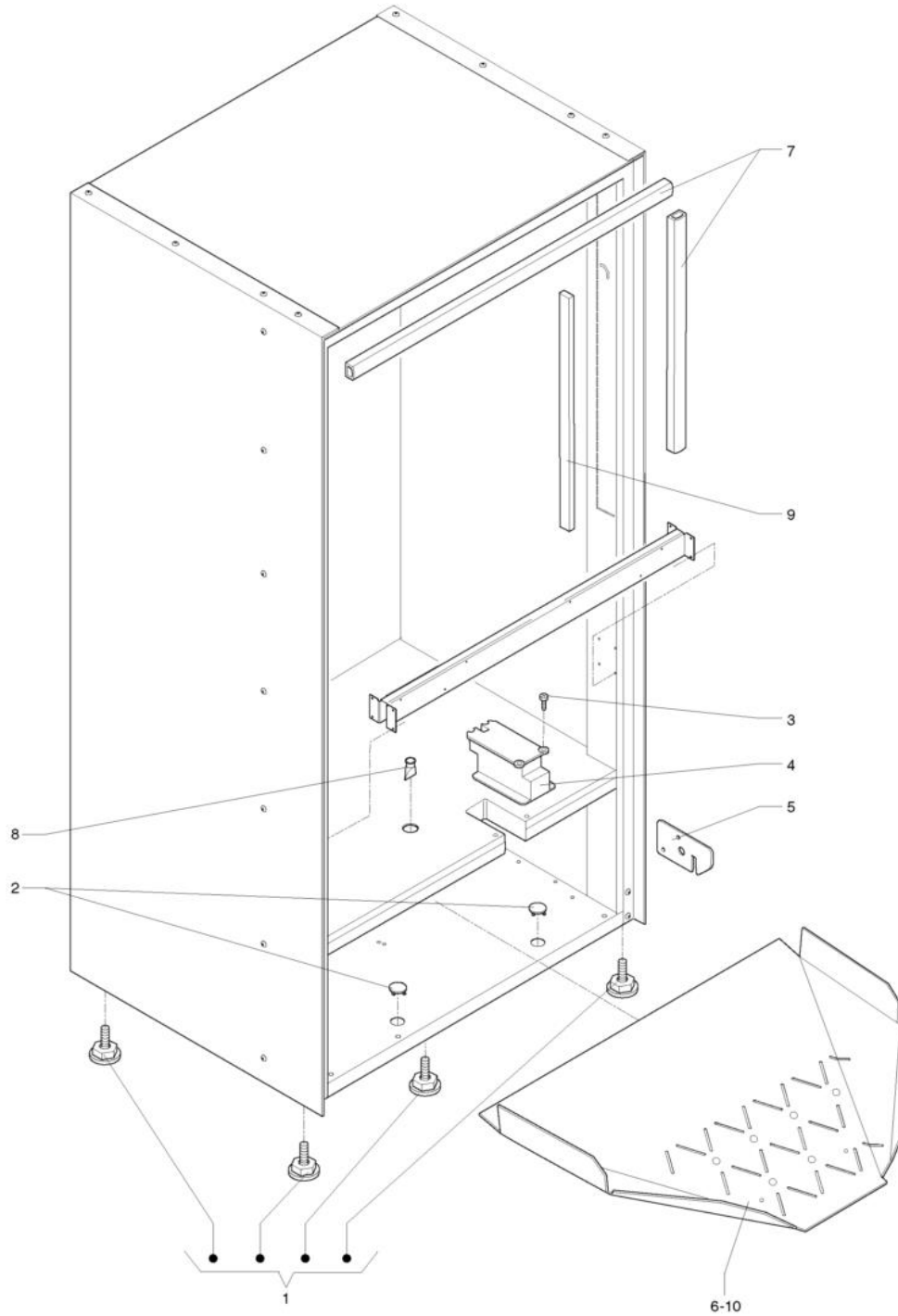
posLbl	Item	Description	Price (Eur)
0045	253916	DOOR WIRING	129.60
0046	253894	LOCK ROD SPACER	0.00
0047	253910	CHUTE FOR CHANGE	28.20
0048	253951	CHUTE FOR CHANGE SEPARATOR	7.20
0049	253872	COIN MECHANISM TURNABLE SUPPORT	33.00
0050	094111	INSULATING DOLLY BLOCK	0.14
0051	096977	KNURL	1.03
0052	253871	DOOR LOCK ROD	41.40
0053	253893	ROD RETURN SPRING	5.04
0054	254160	PUSH-BUTTON PANEL 9 SELECTIONS	13.20
0055	254248	CONTROL PANEL 5 SELECTION	12.00
0056	256014	COIN SURROUND ASSY.	48.00
0057	257210	SURROUND COIN SLOT -VANDAL PROOF-	8.76
0058	256009	LEVER STOP PLATE	14.40
0059	256010	COIN INSERT LEVER	10.32
0060	257577	TRANSPARENT PLATE FOR DISPLAY	11.52
0061	256011	COIN INSERT TOP CHUTE	7.08
0062	256012	COIN INSERT BOTTOM CHUTE	6.84





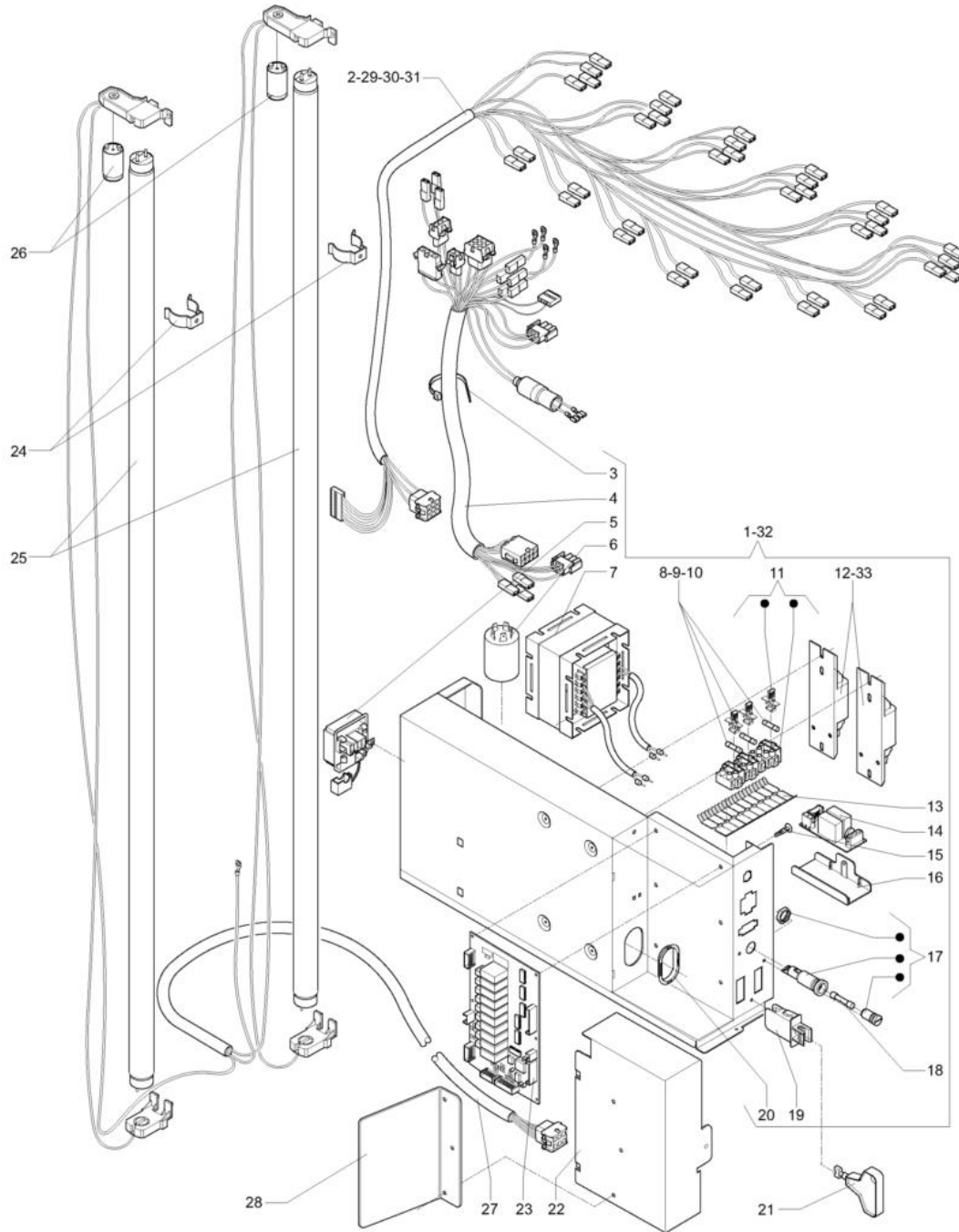


posLbl	Item	Description	Price (Eur)
0001	253934	UPPER SCREEN-DOOR 700	248.40
0002	253935	LOWER SCREEN-DOOR 700	252.00
0003	0V1484	MOLDING WITH PLATE	39.00
0004	253941	HINGE DOUBLE-DOOR	41.40
0005	253940	UPPER SCREEN-DOOR SEAL 700	55.20
0006	253892	SCREEN-DOOR LATCH BOLT	10.08
0007	254116	LATCH PLATE	4.32
0008	253868	SCRW M8X50	0.44
0009	093754	BENZING COLLAR QUICKBLOCK BQ DIAM MM	0.10
0010	985141	PIN ISOLATING DOOR BLADE	13.20
0011	986879	SUPPORT	7.80
0012	253870	PRODUCTS CONTRAST	6.36
0013	254442	UPPER SCREEN-DOOR 500	230.40
0014	254445	UPPER SCREEN-DOOR SEAL 500	54.00
0015	254443	LOWER SCREEN-DOOR 500	226.80

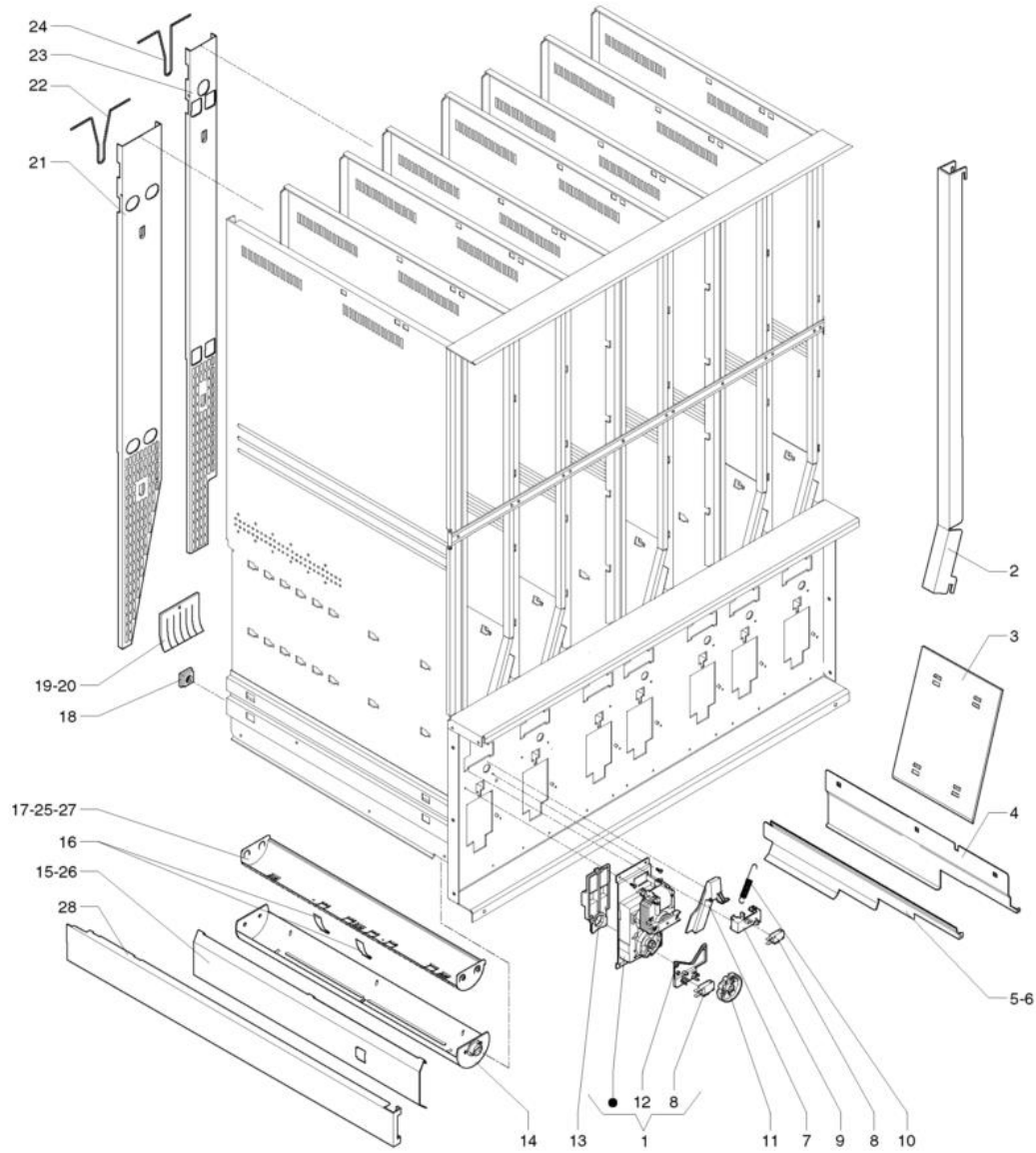




posLbl	Item	Description	Price (Eur)
0001	252124	4 FEET KIT	5.76
0002	0V4199	PLUG	0.41
0003	255034	PLAIN TIP SELF-TAPPING SCREW 4X12	0.06
0004	253897	WIRES SHIELD STOPPER	5.76
0005	253881	COUPLING	1.70
0006	253898	CHUTE 700	154.80
0007	254280	CABINET GASKET	6.24
0008	0V0346	DRAIN TUBE	1.88
0009	251515	ADHESIVE SEAL (A METER)	1.54
0010	254437	SLIDE 500	154.80

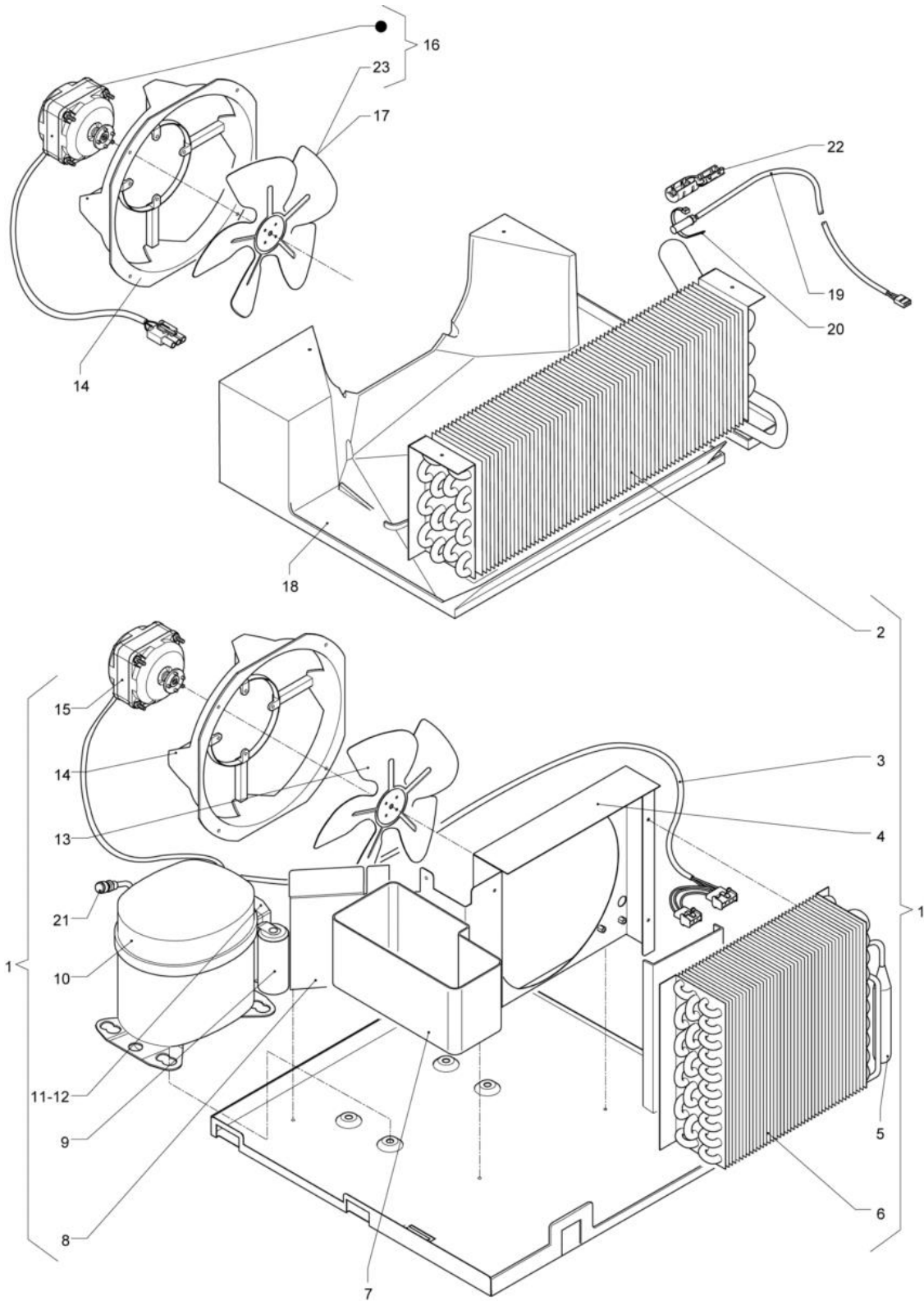


posLbl	Item	Description	Price (Eur)
0001	253919	ELECTRICAL PANEL DIESIS	576.00
0002	253915	SLIDE WIRING 700/7	117.60
0003	090148	CLIP	0.05
0004	253938	ELECTRICAL PANEL WIRING	67.20
0005	098796	TERMINAL BOARD	3.72
0006	0V3512	ELECTRICAL NET FILTER	16.92
0007	253937	TRANSFORMER G100 230V 24-24	169.20
0008	097097	FUSE 2 AMP.5X20 DELAYED ACT	0.32
0009	097259	FUSE 5X20 4A DELAYED ACTION	0.38
0010	253939	FUSE 5X205AMP DELAYED ACTION	1.30
0011	097241	3-POLE TERMINAL BOARD W/CARRIER	3.48
0012	987367	36-40WATT BALLAST	9.36
0013	097242	SUB-TERMINAL BOARD	1.56
0014	0V0015	OUT\R CARD	45.60
0015	097175	CARD SPACER	0.22
0016	094849	COVERING-HOLDER	3.30
0017	251863	FUSE HOLDER	5.40
0018	095636	FUSE 15 A	0.72
0019	097796	SWITCH	11.28
0020	093916	WHIPPING OVAL	0.34
0021	0V1654	SWITCH KEY	0.94
0022	253869	EXTERNAL CARD COVERING	19.80
0023	253923	CONTROL BOARD	187.20
0024	098337	LAMP-HOLDER HOOKS	0.77
0025	985532	NEON LIGHT 36 WATT	6.60
0026	091802	STARTER TYPE S10	2.40
0027	253917	LAMP WIRING	61.20
0028	253906	CONNECTOR COVERING	10.56
0029	254283	SLIDE WIRING 700/8-9	98.40
0030	254441	SLIDE WIRING 500/5	66.00
0031	254454	SLIDE WIRING 500/6-7	75.60
0032	254589	ELECTRICAL PANEL 240V	576.00
0033	252898	240V 50HZ BALLAST -UK-	11.52





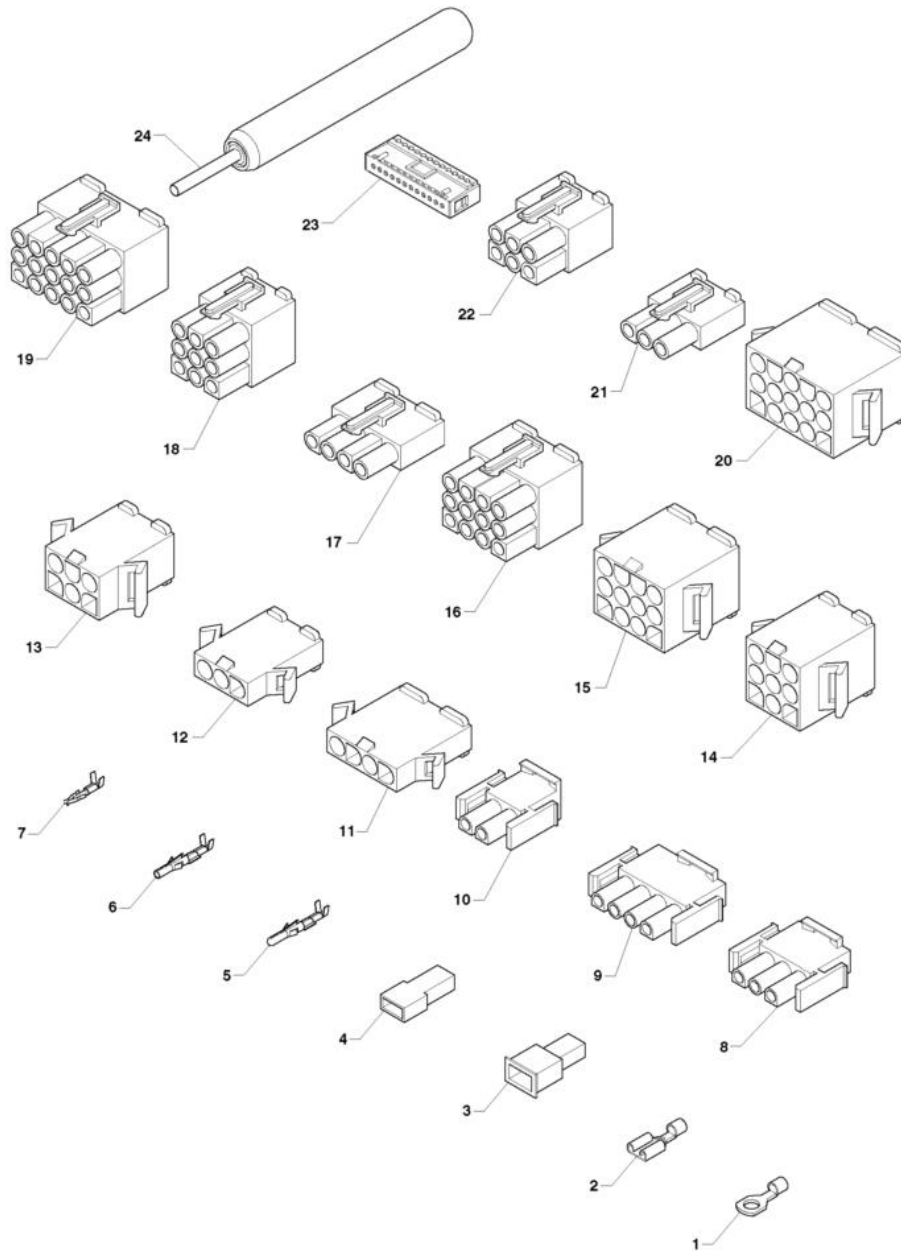
posLbl	Item	Description	Price (Eur)
0001	0V1493	GEARMOTOR	92.40
0002	251661	BOTTLE STATIONARY GUIDE	11.52
0003	0V1508	ANTIFRICTION ELEMENT	6.36
0004	253878	BOTTLE PLATE	13.20
0005	253877	0.25L CAN PLATE	11.76
0006	254106	0.33/0.35 L CAN PLATE	11.28
0006	254782	0.33L SLIM CAN PLATE	28.20
0007	0V1505	EMPTY/FULL PLATE	0.86
0008	985834	MICROSWITCH	3.30
0009	985460	BLADE-SUPPORT	0.91
0010	0V1506	RETURN SPRING	0.64
0011	0V1494	MICROSWITCH CONTROL CAM	0.66
0012	0V1655	LIMIT SWITCH SUPPORT	5.28
0013	0V1500	BUSH WITH DEVIATOR	1.88
0014	253889	SLIDE ROTOR	26.40
0015	0V1507	SHIM DIAM. 65-66-67	5.28
0016	0V1497	ROTOR ANTI-THEFT	1.27
0017	253901	ROTOR INSERT DIAM. 65-67	8.76
0018	985822	POST. BUSH CARRIAGE ROTOR	0.40
0019	253895	COMB FOR DEFLECTOR L=86	3.12
0020	253896	COMB FOR DEFLECTOR L=132	3.60
0021	253875	DOUBLE BACKCOLUMN	11.76
0022	0V1490	DOUBLE BACKCOLUMN SPRING	2.21
0023	253876	SINGLE BACKCOLUMN	10.08
0024	0V1492	SINGLE BACKCOLUMN SPRING	2.24
0025	254114	ROTOR INSERT DIAM. 62/64	23.40
0026	0V1745	SHIM DIAM. 62-63-64	5.64
0027	254113	ROTOR INSERT DIAM. 59/61	23.40
0028	254404	0.25L CAN SPACER	36.00







posLbl	Item	Description	Price (Eur)
0001	255367	GREEN REFRIGERATING GROUP	600.00
0002	251720	EVAPORATOR	146.40
0003	251719	COMPRESSOR WIRING	33.00
0004	251716	FAN SHIELD	39.60
0005	250542	DEHYDRATOR FILTER	92.40
0006	251721	CAPACITOR	134.40
0007	251704	CONDENSATE COLLECTION TRAY	8.64
0008	251717	BASIN COVER	20.88
0009	985075	CAPACITOR	24.00
0010	986933	COMPRESSOR GP 14 TB R134	190.80
0011	985074	STARTING RELAY COMPRESSOR	8.04
0012	0V1779	THERMOPROTECTOR COMPRESSOR	6.72
0013	250538	230-28° FAN WHEEL	9.36
0014	251718	COOLING FAN CONVEYOR	20.16
0015	254807	ELECTRIC FAN 16WATT 50/60HZ	68.40
0016	255608	MOTOR FAN	70.80
0017	0V3517	200x34 FAN	2.10
0018	253902	CELL TRAY	44.40
0019	253918	TEMPERATURE PROBE	14.64
0020	090148	CLIP	0.05
0021	985603	RECHARGE VALVE	12.48
0022	253903	PROBE COVER	2.94
0023	255609	METAL FAN	5.52





posLbl	Item	Description	Price (Eur)
0001	090957	EYELET TERMINAL	0.16
0002	090959	FASTON W/O TONGUE	0.00
0003	091192	FASTON COVER	0.14
0004	090247	FEMALE FASTON COVER	0.12
0005	095955	TERMINAL MALE	0.14
0006	096136	TERMINAL FEMALE	0.18
0007	094405	TERMINAL FEMALE 2,5	0.07
0008	094954	FEMALE HOLDER CONNECTOR 3-WAYS	2.46
0009	098062	4-WAY CONNECTOR MATE-N-LOK AMP	0.55
0010	094955	FEMALE HOLDER CONNECTOR 2-WAYS	0.38
0011	0V0809	4-PIN CONNECTOR/P MOLEX 3191	0.90
0012	0V0808	3-PIN CONNECTOR/P MOLEX 3191	0.77
0013	0V0810	6-PIN CONNECTOR/P MOLEX 3191	1.18
0014	0V0811	9-PIN CONNECTOR/P MOLEX 3191	1.30
0015	0V0812	12-PIN CONNECTOR/P MOLEX 3191	1.96
0016	0V0818	12-PIN CONNECTOR/P MOLEX 3191	0.00
0017	0V0815	4-PIN CONNECTOR/P MOLEX 3191	0.94
0018	0V0817	9-PIN CONNECTOR/P MOLEX 3191	1.27
0019	0V0819	15-PIN CONNECTOR/P MOLEX 3191	2.17
0020	0V0813	15-PIN CONNECTOR/P MOLEX 3191	2.06
0021	0V0814	3-PIN CONNECTOR/P MOLEX 3191	0.72
0022	0V0816	6-PIN CONNECTOR/P MOLEX 3191	1.25
0023	094961	FEMALE HOLDER CONNECTOR P.I. 12-W	1.18
0024	0V0820	MOLEX CONTACT PULLER	55.20