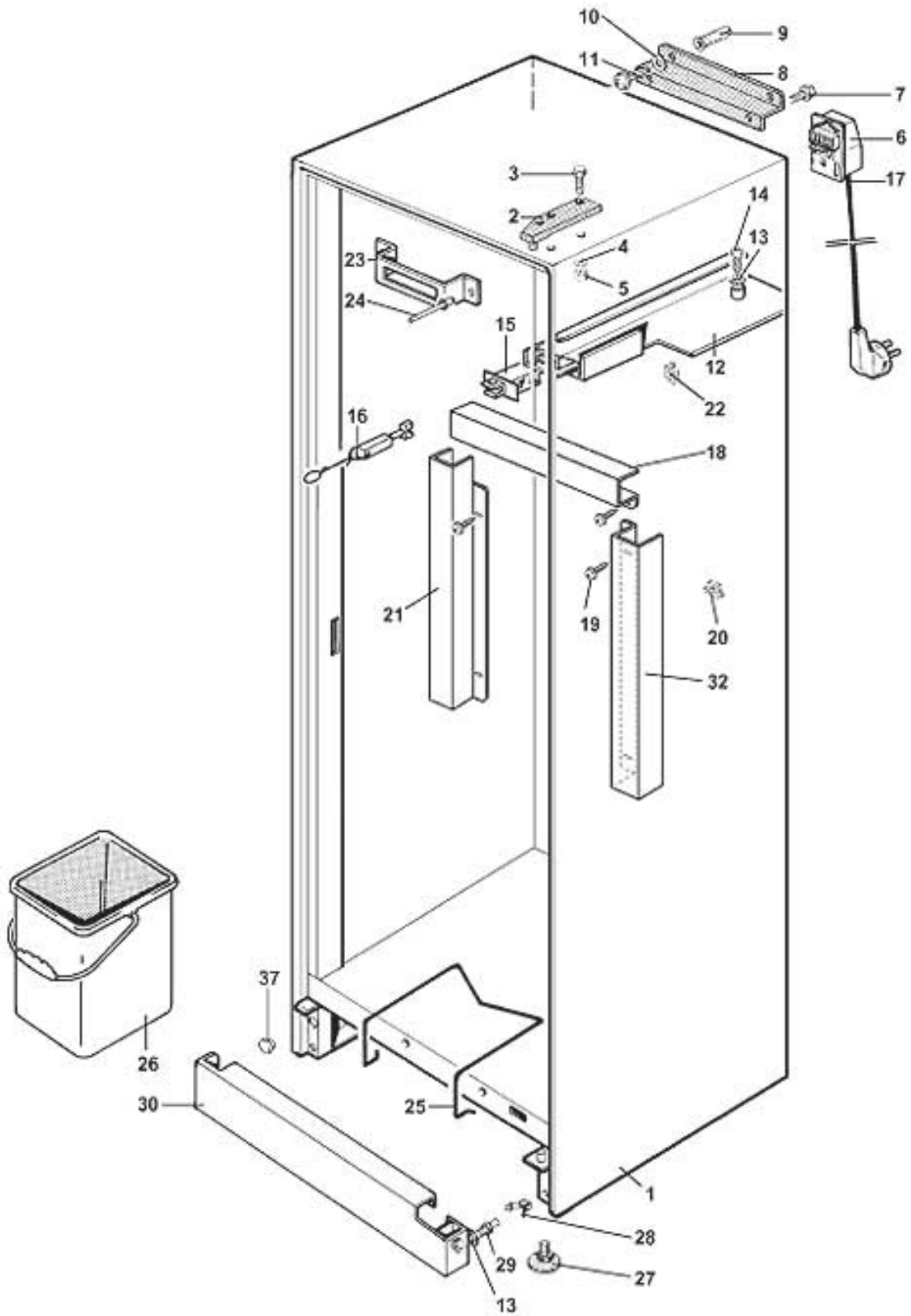


vending machine

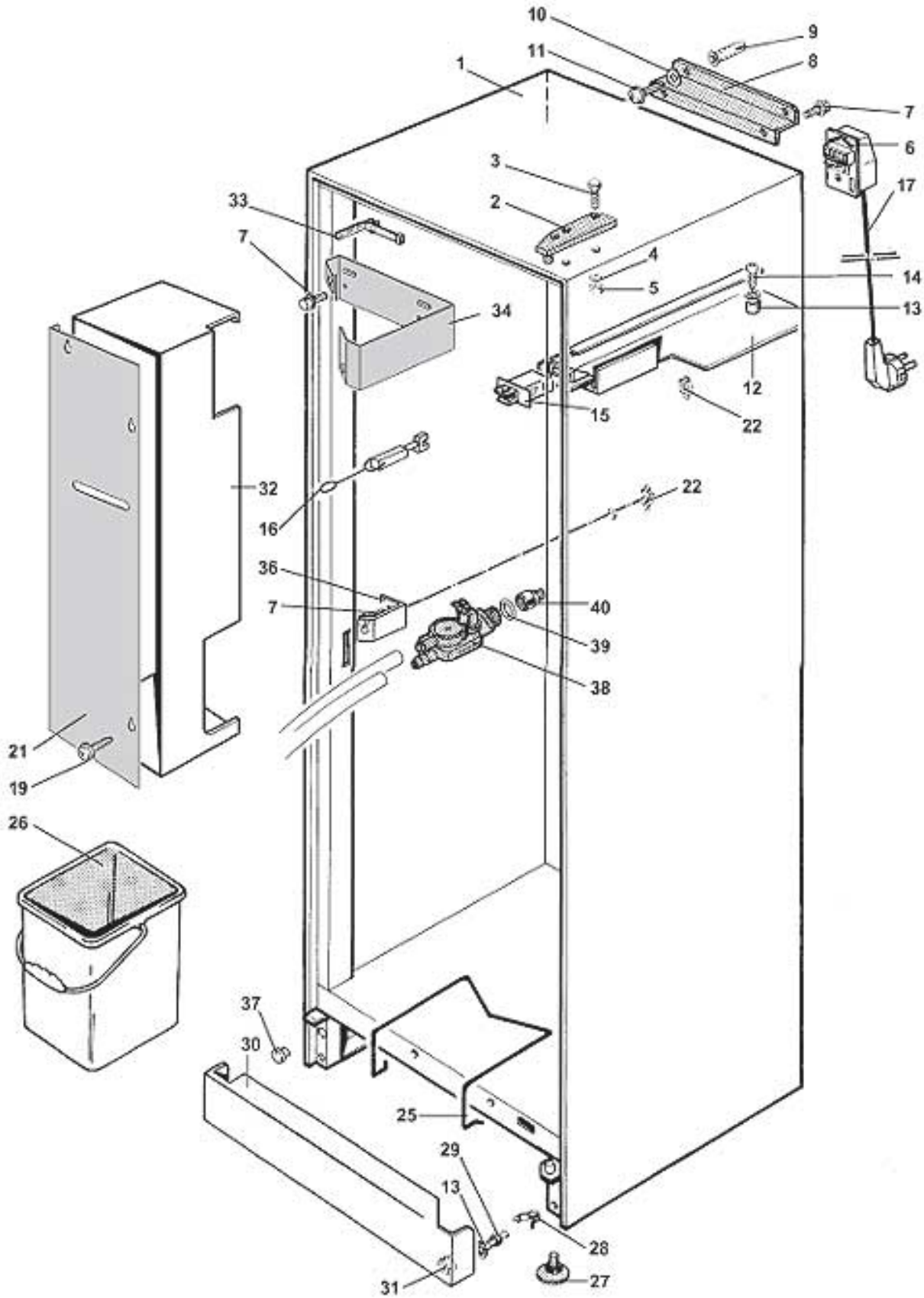
# [ECO LUCE]



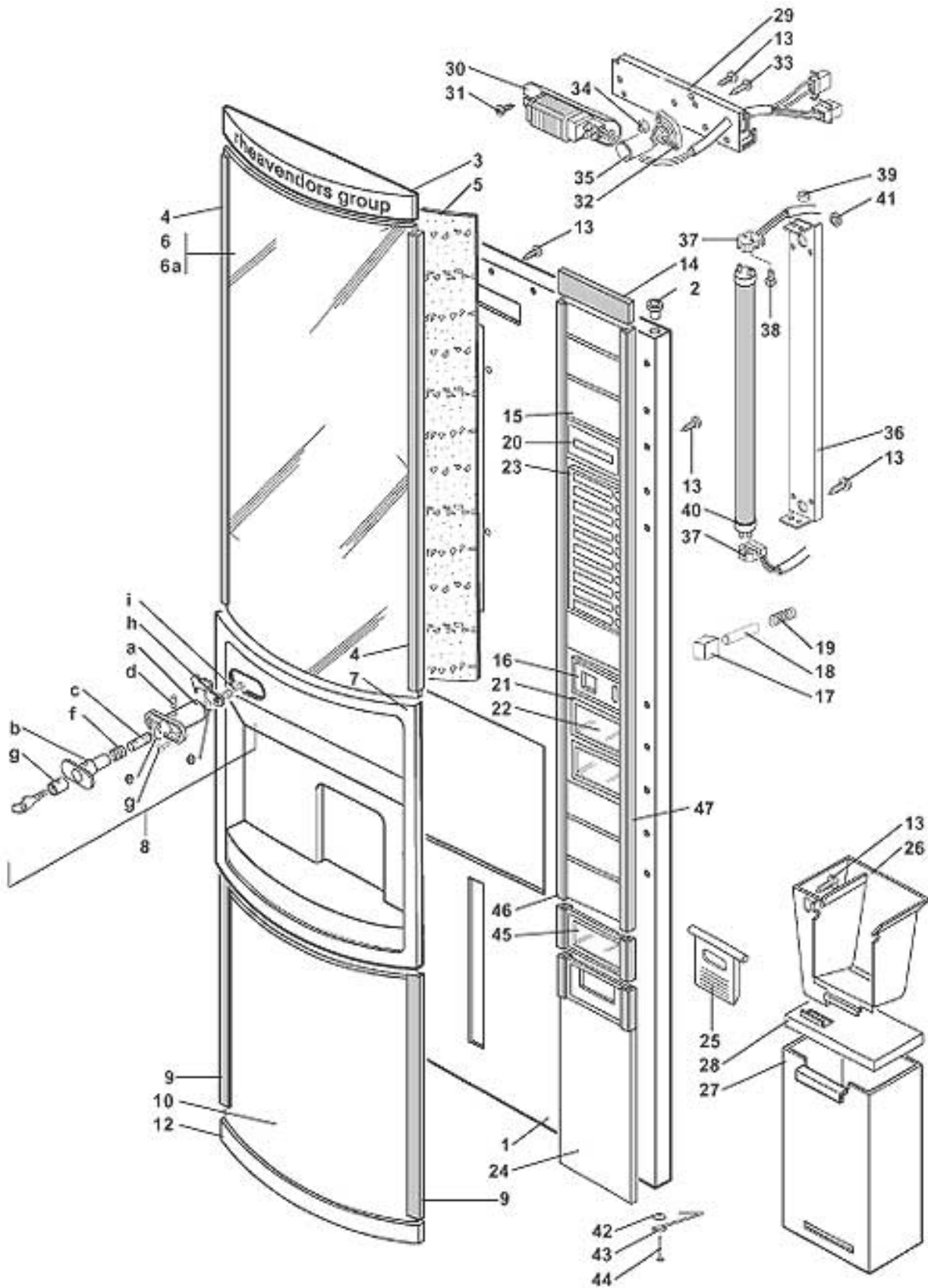
spare parts manual



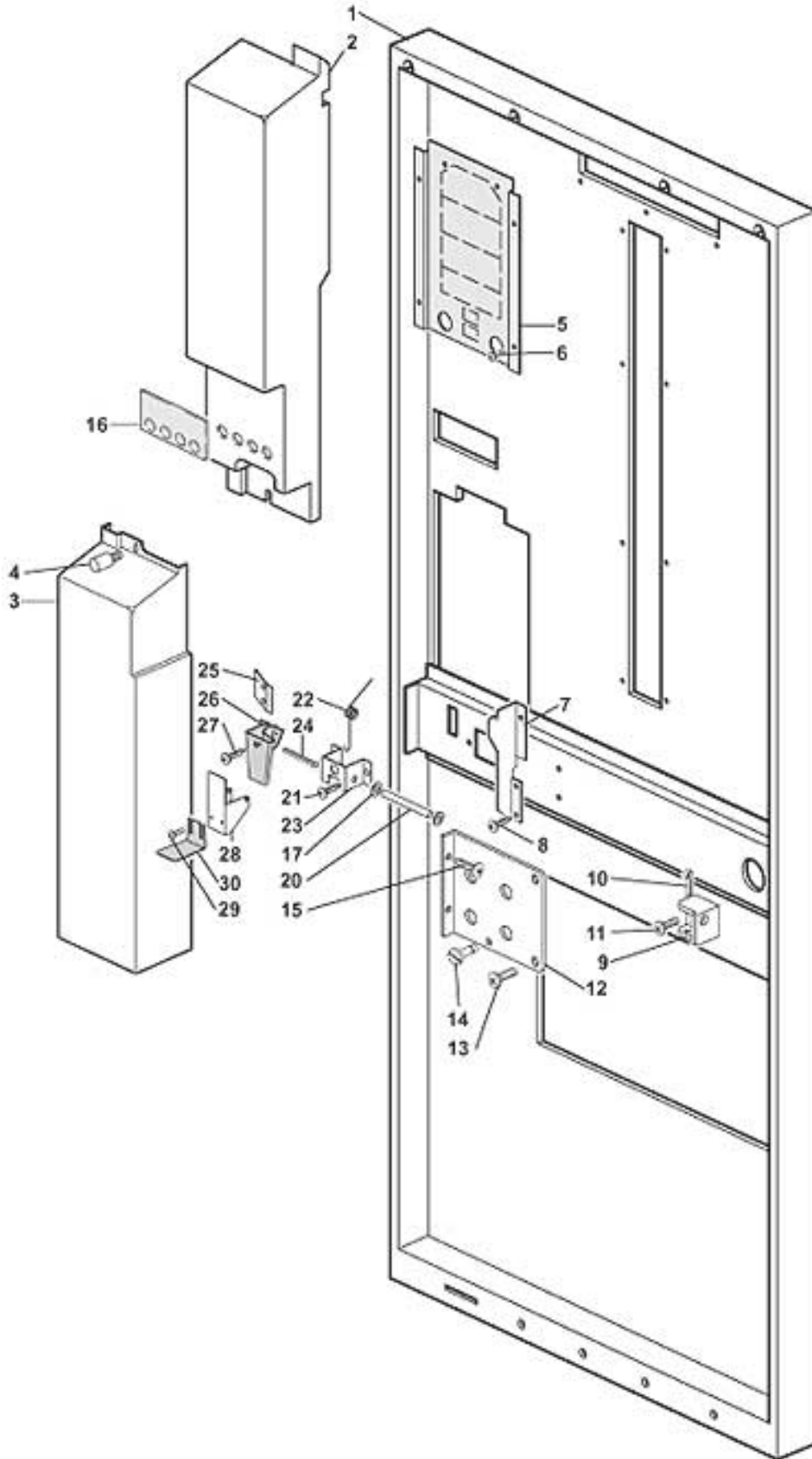
Pos.	Code	Description
1	0010014355	SAGOMA H CABINET STRUCTURE
	0010014355AE	
	0010014355CF	
	0010014355CG	
	0010014355CH	
	0010014355CM	
	0010014355CN	
	0010014355GF	
	0010014355KE	
	0010014355NA	
2	0010013191	UPPER HINGE
	0010013191AE	
	0010013191CF	
	0010013191CG	
	0010013191CH	
	0010013191CM	
	0010013191CN	
	0010013191GF	
	0010013191KE	
	0010013191NA	
3	VIT0000215	SCREW TE M8x25
4	VIT0003402	D. 8.4 GROWER SPRING WASHER
5	VIT0004506	M 8 NUT
6	ELE0002410	EXTERNAL TRIPOLAR TERMINAL BLOCK
7	VIT0000236	E.H SCREW M 6 x 11 + FR
8	0010014074	DISPENSER SECURING BRACKET
9	VIT0010701	TPF 8 x 50 DOWEL
10	VIT0003303	WASHER D.6.5 x 18 x 1,5
11	VIT0002022	5.5x 60 TAPPING TCB SCREW
12	0270011465	DOOR SWITCH SUPPORT
13	VIT0003103	WASHER tab D. 4.3
14	VIT0000012	SCREW T.C.B. M 4 x 10
15	ELE0002009	SAFETY SWITCH
16	0270011109CL	SERVICE KEY ASSEMBLY
17	ELE0055003	POWER LEAD H05VV-F 3 x 1.5 SCHUKO PLUG
17/a	ELE0055004	POWER LEAD H0VV-F 3 x 1.5 SC PLUG
17/b	ELE0055006	POWER LEAD H05VV-F 3 x 1.5 GB PLUG
18/a	0010014067	R.H. CABLES PROTECTION
18/b	0010014087	L.H. CABLES PROTECTION
18/c	0010014257	HORIZONTAL LEFT CABLES PROTECTION
19	VIT0000030	SCREW TCB M4 x 7
20	VIT0009109	M 4 NUT IN RETAINER
21	0010014257	HORIZONTAL LEFT CABLES PROTECTION
22	VIT0009102	M 6 NUT IN RETAINER
23/a	0010014062	COFFEE BEANS CONTAINER CONNECT
23/b	0010014105	GROUND COFFEE CONTAINER CONNEC
24	VIT0007021	3 x 7 ALUMINIUM RIVET
25	0010014063	RING FOR BIN (NO FOR VERSION FP)
26	CON0000201	RECTANGULAR BIN (NO FOR VERSION FP)
27	VIT0010501	SETTING PLATT ES.M 8 x 22 D.30 BLACK (NO FOR VERSION FP)
28	VIT0009152	CONNECTION (NO FOR VERSION FP)
29	VIT0009151	PIN (NO FOR VERSION FP)
30	0120004375	FRONT PROTECTION (NO FOR VERSION FP)
	0120004375AE	
	0120004375CF	
	0120004375CG	
	0120004375CH	
	0120004375CM	
	0120004375CN	
	0120004375GF	
	0120004375KE	
	0120004375NA	
31		(NO FOR VERSION FP)
32/a	0010014083	R.H. CABLES PROTECTION E4 (NO FOR VERSION FP)
32/b	0010014256	R.H. CABLES PROTECTION E5 (NO FOR VERSION FP)
33		(NO FOR VERSION FP)
34		(NO FOR VERSION FP)
35		(NO FOR VERSION FP)
36		(NO FOR VERSION FP)
37	0020034022	BUTTON PLUG (NO FOR VERSION FP)



Pos.	Code	Description	*
1	0010014375	SAGOMA H CABINET STRUCTURE	
	0010014375AE		
	0010014375CF		
	0010014375CG		
	0010014375CH		
	0010014375CM		
	0010014375CN		
	0010014375GF		
	0010014375KE		
	0010014375NA		
2	0010013191	UPPER HINGE	
	0010013191AE		
	0010013191CF		
	0010013191CG		
	0010013191CH		
	0010013191CM		
	0010013191CN		
	0010013191GF		
	0010013191KE		
	0010013191NA		
3	VIT0000215	SCREW TE M8x25	
4	VIT0003402	D. 8.4 GROWER SPRING WASHER	
5	VIT0004506	M 8 NUT	
6	ELE0002410	EXTERNAL TRIPOLAR TERMINAL BLOCK	
7	VIT0000236	E.H SCREW M 6 x 11 + FR	
8	0010014074	DISPENSER SECURING BRACKET	
9	VIT0010701	TPF 8 x 50 DOWEL	
10	VIT0009152	CONNECTION	
11	VIT0002022	5.5x 60 TAPPING TCB SCREW	
12	0270011465	DOOR SWITCH SUPPORT	
13	VIT0003103	WASHER tab D. 4.3	
14	VIT0000012	SCREW T.C.B. M 4 x 10	
15	ELE0002009	SAFETY SWITCH	
16	0270011109CL	SERVICE KEY ASSEMBLY	
17/a	ELE0055003	POWER LEAD H05VVF 3 x 1.5 SCHUKO PLUG	
17/b	ELE0055004	POWER LEAD H0VV-F 3 x 1.5 SC PLUG	
17/c	ELE0055006	POWER LEAD H05VVF 3 x 1.5 GB PLUG	
18	0010014237	WATER TRAY BRACKET	
19	VIT0000030	SCREW TCB M4 x 7	
20	VIT0009109	M 4 NUT IN RETAINER	
21/a	0010014213	COVER PROTECTION H/5	
21/b	0010014280	COVER PROTECTION H/6	
22	VIT0009102	M 6 NUT IN RETAINER	
23			
24			
25	0010014063	RING FOR BIN (NO FOR VERSION FP)	
26	CON0000201	RECTANGULAR BIN (NO FOR VERSION FP)	
27	VIT0010501	SETTING PLATT ES.M 8 x 22 D.30 BLACK (NO FOR VERSION FP)	
28	VIT0009152	CONNECTION (NO FOR VERSION FP)	
29	VIT0009151	PIN (NO FOR VERSION FP)	
30	0120004375	FRONT PROTECTION (NO FOR VERSION FP)	
	0120004375AE		
	0120004375CF		
	0120004375CG		
	0120004375CH		
	0120004375CM		
	0120004375CN		
	0120004375GF		
	0120004375KE		
	0120004375NA		
31	VIT0004503	NUT M 4 (NO FOR VERSION FP)	
32/a	0010014207CL	BOILER PROTECTION (NO FOR VERSION FP)	
32/b	0010014212	BOILER PROTECTION SAG H5 (NO FOR VERSION FP)	
32/c	0010014279	BOILER PROTECTION H6 (NO FOR VERSION FP)	
33	FASC000501	CLIP WIYH DOCKING (NO FOR VERSION FP)	
34/a	0600012318	BOILER UPPER SUPPORT (NO FOR VERSION FP)	
34/b	0600012614	BOILER UPPER SUPPORT (NO FOR VERSION FP)	
35	FASC000302	LOCK (NO FOR VERSION FP)	
36/a	0600012317	BOILER LOWER SUPPORT (NO FOR VERSION FP)	
36/b	0600012615	BOILER LOWER SUPPORT (NO FOR VERSION FP)	
37	0020034022	BUTTON PLUG (NO FOR VERSION FP)	
38	0110001039	24 DC INLET VALVE W/SAFETY DEV. (NO FOR VERSION FP)	
39	GUA0000021	OR 130 (NO FOR VERSION FP)	
40/a	0010019223	3/8 GAS M WATER INLET VALVE CONNECTION (NO FOR VERSION FP)	
40/b	0810010558	3/8 GAS M WATER INLET VALVE CONNECTION (NO FOR VERSION FP)	

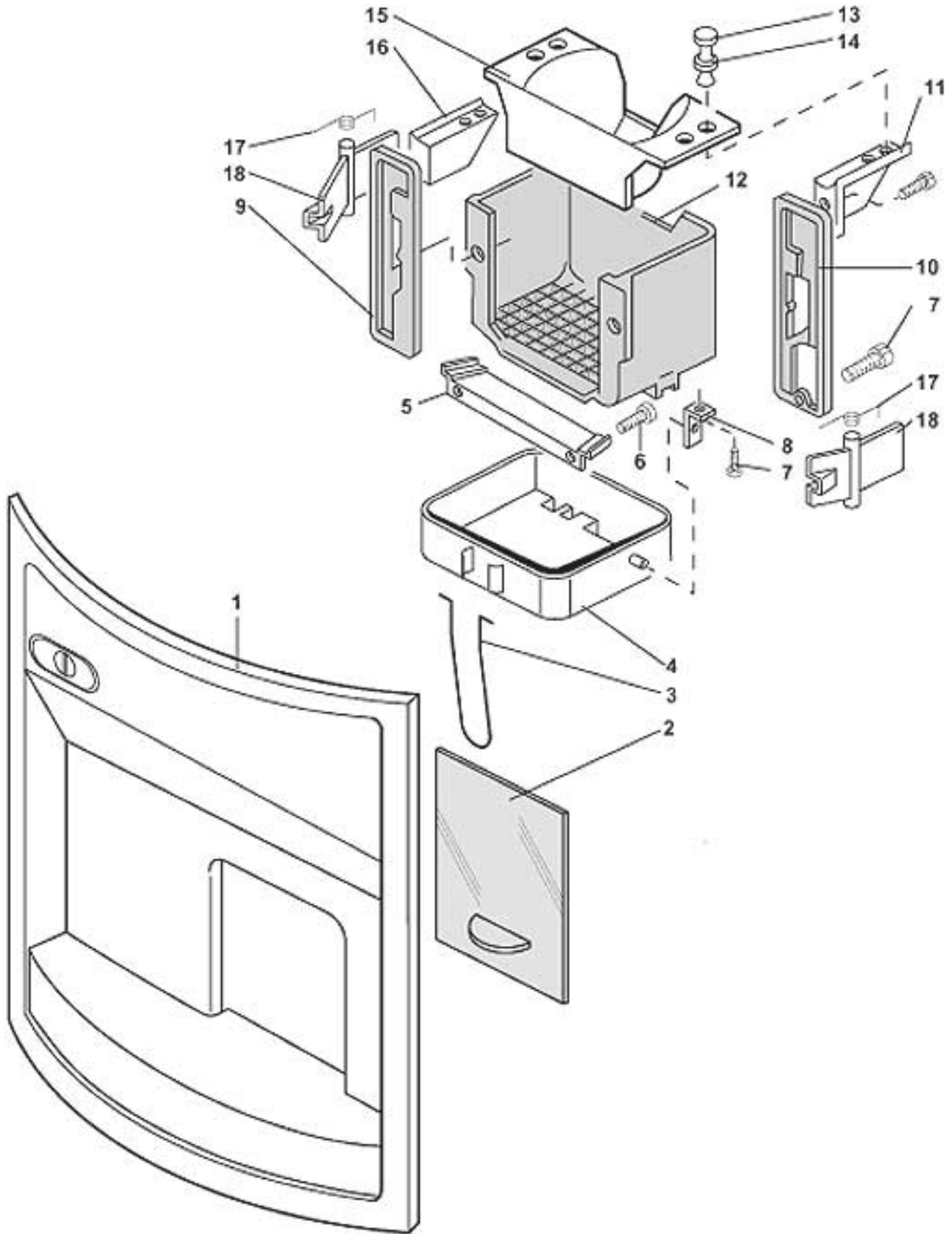


Pos.	Code	Description	
1	0020029405	DOOR CASING	
	0020029405AE		
	0020029405CF		
	0020029405CH		
	0020029405CM		
	0020029405NA		
2	0020034156	DOOR HINGE BUSH	
3/a	0020034322CG	UPPER SUPPORT WITH BRAND	*
3/b	0020034322NA	UPPER SUPPORT WITH BRAND	*
4/a	0020034283CG	PHOTO SECURING UPPER FRAME	*
4/b	0020034283NA	PHOTO SECURING UPPER FRAME	*
5	0020034293	OPALINE UPPER GLASS	
6	0020029441	UPPER PHOTO PROTECTION	
6/a	1010065457	UPPER PHOTO WITH AMARETTI	
7	see tab. 6		
8	1150003200	LOCK ASSEMBLY	
	1150003200AE		
	1150003200CF		
	1150003200CG		
	1150003200CH		
	1150003200CM		
	1150003200CN		
	1150003200GF		
	1150003200KE		
	1150003200NA		
8/a	1150003126	LOCK SLEEVE	*
	1150003126AE		
	1150003126CF		
	1150003126CG		
	1150003126CH		
	1150003126CM		
	1150003126CN		
	1150003126GF		
	1150003126KE		
	1150003126NA		
8/b	1150002112	LOCK BODY	*
	1150002112AE		
	1150002112CF		
	1150002112CG		
	1150002112CH		
	1150002112CM		
	1150002112CN		
	1150002112GF		
	1150002112KE		
	1150002112NA		
8/c	1150002111	LOCK PIN	
8/d	VIT0005203	4 x 18 CYLINDRICAL PIN	
8/e	VIT0006508	D 10 RADIAL STOP RING	
8/f	1150002113	SPRING	
8/g	SER0000003	G 5 TUBULAR LOCK	
8/h	0020029439	LOCK BRACKET	
8/i	VIT0000208	M 5x10 H.H. SCREW	
9/a	0020034283CG	PHOTO SECURING LOWER FRAME	*
9/b	0020034283NA	PHOTO SECURING LOWER FRAME	*
10	0020029418	OPALINE LOWER GLASS	
11	0020029442	LOWER PHOTO PROTECTION	
11/a	1010065459	LOWER PHOTO WITH AMARETTI	*
12/a	0020034281CG	ROUNDED LOWER SUPPORT	*
12/b	0020034281NA	ROUNDED LOWER SUPPORT	*
13	VIT0002401	TAPPING SCREW TCB 3.5 x 9.5	
14/a	0020034278CG	UPPER SUPPORT	*
14/b	0020034278NA	UPPER SUPPORT	*
15/a	0020026341CG		
15/b	0020026341NA		
16/a	0020026343CG		
16/b	0020026343NA		
17	4050010072CK	COIN RETURN BUTTON	*
18	0020034023	COIN RETURN PIN	
19	4050010074	COIN RETURN BUTTON SPRING	
20/a	0020022673NA	DISPLAY GLASS FOR OLD ELECTRONIC VERSION	
20/b	0020022673CF	DISPLAY GLASS FOR OLD ELECTRONIC VERSION	
20/c	0020022673CI	DISPLAY GLASS FOR OLD ELECTRONIC VERSION	
20/d	0020029616CG	RAL 7035 DISPLAY GLASS FOR OLD ELECTRONIC VERSION	
20/e	0020029611CG	RAL 7035 DISPLAY GLASS FOR NEW ELECTRONIC VERSION	
20/f	0020029611CF	RAL 7016 DISPLAY GLASS FOR NEW ELECTRONIC VERSION	
20/g	0020029611CI	RAL 7042 DISPLAY GLASS FOR NEW ELECTRONIC VERSION	
21/a	0020026342CG	FOR NEW ELECTRONIC VERSION	
21/b	0020026342NA	FOR NEW ELECTRONIC VERSION	
22	0020026351	INSTRUCTION GLASS FOR NEW ELECTRONIC VERSION	
23	see tab. 6	FOR NEW ELECTRONIC VERSION	
24/a	0020034279CG	LOWER SUPPORT FOR NEW ELECTRONIC VERSION	
24/b	0020034279NA	LOWER SUPPORT FOR NEW ELECTRONIC VERSION	
25/a	0020018162CK	COIN RETURN HATCH FOR NEW ELECTRONIC VERSION	
25/b	0020018162NA	COIN RETURN HATCH FOR NEW ELECTRONIC VERSION	*
26	0020029444	COIN ACCEPT-RETURN CHUTE ASSEMBLY FOR NEW ELECTRONIC VERSION	
27	0030006106	COIN SHEET COVER FOR NEW ELECTRONIC VERSION	
28	0030006104R	COIN BOX COVER ASSEMBLY FOR NEW ELECTRONIC VERSION	
29	0020029427	ELECTRIC COMPONENTS UPPER SUPPORT FOR NEW ELECTRONIC VERSION	
30	ELE0009105	220 V 30 W BALLAST FOR NEW ELECTRONIC VERSION	
31	VIT0002002	3.5 x 6.5 TCB SCREW FOR NEW ELECTRONIC VERSION	
32	ELE0009102	T11 AUT STARTER-HOLDER FOR NEW ELECTRONIC VERSION	
33	VIT0000114	M 4x16 TCB SCREW FOR NEW ELECTRONIC VERSION	
34	VIT0004503	NUT M 4 FOR NEW ELECTRONIC VERSION	
35	ELE0009109	STARTER FOR NEW ELECTRONIC VERSION	
36	0020034307	LAMP SUPPORT FOR NEW ELECTRONIC VERSION	
37	ELE00091011	LAMP HOLDER FOR NEW ELECTRONIC VERSION	
38	VIT0000006	M 3x16 TCB SCREW FOR NEW ELECTRONIC VERSION	
39	VIT0004701	M3 FR NUT FOR NEW ELECTRONIC VERSION	
40	ELE0009017	FLU. F-18 LAMP FOR NEW ELECTRONIC VERSION	
41	GU0010501	MEMBRANE CORE FITCH Ø 7.5 FOR NEW ELECTRONIC VERSION	
42	0020029112	NEON HOUSING CLOSING SHEET FOR NEW ELECTRONIC VERSION	
43	ELE0009107	BIPLUG G 13 LAMP HOLDER FOR NEW ELECTRONIC VERSION	
44	ELE0009018	L 8 W 20 LAMP FOR NEW ELECTRONIC VERSION	
45	0020034172	DOOR STOP ROD FOR NEW ELECTRONIC VERSION	
46	0020034173	PIN FOR DOOR STOP ROD FOR NEW ELECTRONIC VERSION	
47	VIT0007102	BENZING-QUICKLOCK FOR NEW ELECTRONIC VERSION	
48	0020029457	COINS RETURN GLASS FOR NEW ELECTRONIC VERSION	
49	0020029422	KEYBOARD GLASS LEFT PROFILE FOR NEW ELECTRONIC VERSION	
	0020029422CG		
	0020029422CH		
	0020029422CM		
	0020029422KE		
	0020029422KF		
	0020029422NA		
50	0020029423CG	KEYBOARD GLASS RIGHT PROFILE FOR NEW ELECTRONIC VERSION	
	0020029423CH		
	0020029423CM		
	0020029423KE		
	0020029423KF		
	0020029423NA		
51	0020029626	SUGAR MODULE DISPLAY WITH SUGAR	
	0020029626CF		
	0020029626CG		
	0020029626CK		
	0020029626CS		
	0020029626NA		
52	0020029631NA	BLACK LED DISPLAY GLASS	
53	0020029329	KEYBOARD LOWER SUPPORT	
54	0020034305	SELECTION BUTTON	
55	0020034311	FEELER SPRING	
56	0020029630	2-KEY SUGAR KEYBOARD	
57	VIT0002401	TAPPING SCREW TCB 3.5 x 9.5	
100	0030006100R	COIN BOX + COVER	assieme
101	0020029303R	BLACK DOOR ASSEMBLY	assieme

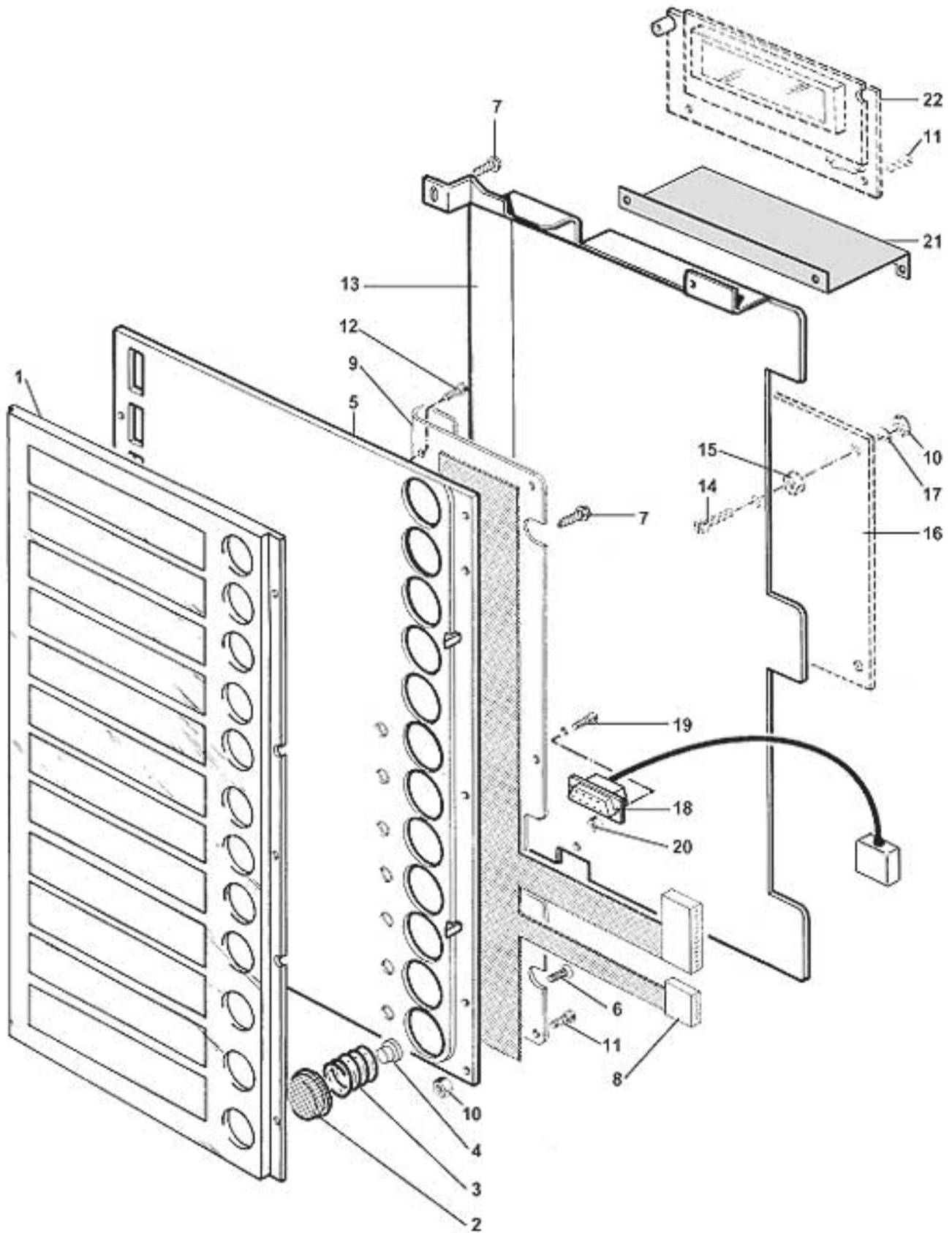




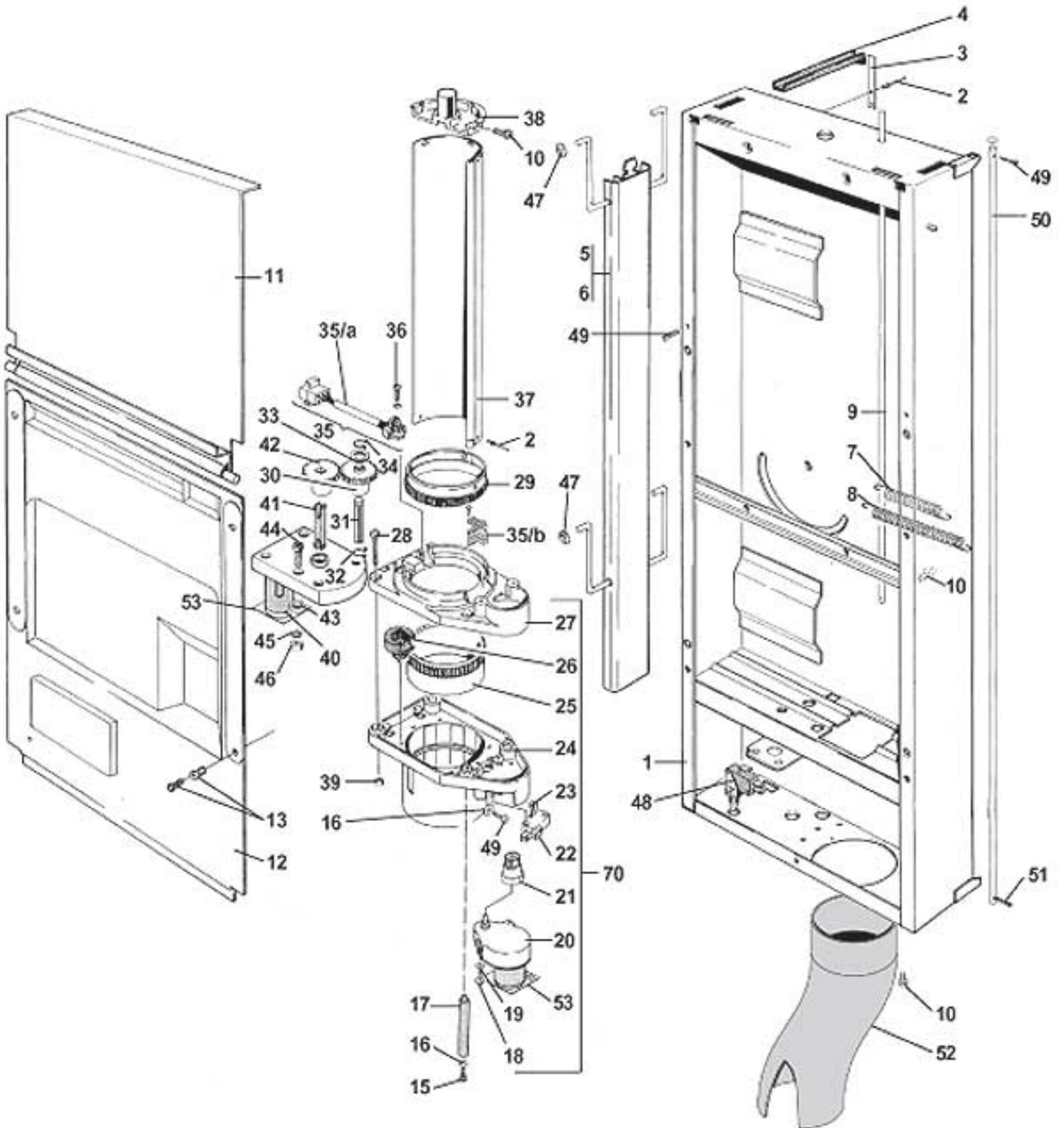
Pos.	Code	Description
1	0020029432	LAMP SUPPORT LOWER PROTECTION
2	VIT0002401	TAPPING SCREW TCB 3.5 x 9.5
3	0150001103	FEEDER SUPPORT
4	VIT0000236	E.H SCREW M 6 x 11 + FR
5	0150001104NA	FEEDER
6	0150001105	FEEDER COUNTERPART
7	0020029437	LOCK PIN
8	2100002007	CUPS LOADER SPRING
9	NL202100275	UPPER LOCK PIN SECURING SQUARE
10	0010018026	DOOR CENTERING LEVER
11	0010015125	LEVER PIN ROLL
12	0010018028	DOOR CENTRERING ROLL PIN
13	NL202100285	LEVER RETURN SPRING
14	NL202100276	DOOR CENTERING LEVER PIN
15	0020022626R	CUPS LOADER CONNECTION ASSEMBLY
15/a	0020022626	CUPS LOADER SUPPORT
15/b	0020018227NA	CUP LOADER HOOK
15/c	0020018234	CONNECTING PLATE PIN
15/d	0020018237	CONNECTING SPRING
15/e	VIT0003004	5.3x10x1 WASHER
15/f	VIT0006502	D.3.2 RADIAL STOP RING
15/g	0020018241	LOADER SUPPORTING PLATE
15/h	VIT0000003	M 3x8 TCB SCREW
15/i	VIT0003102	WASHER tab D. 3.2
15/l	VIT0004502	M3 NUT
16	0020029434	CUPS LOADER SUPPORT
17	0180011818	CUPS LOADER HINGE PIN
18	VIT0006004	1.5x15 PIN
19	0270011452	CONTRAST SQUARE
20	see tab. 26	
21	0020026322	COIN RETURN LOWER BRACKET
22	0020034025	COIN RETURN UPPER LEVER
23	VIT0000030	SCREW TCB M4 x 7
24	0020034187	PIN
25	0020005013	COIN RETURN LEVER SPRING
26	0020034045NA	
27	VIT0007005	1.5x40 PIN
28	0020029113	CPU BOARD SPACER
29	see tab. 26	
30	see tab. 26	
31	0020029429	ELECTRIC COMPONENTS LOWER SUPPORT
32	ELE0009116	220 V BALLAST
33	VIT0002002	3.5 x 6.5 TCB SCREW
34	ELE0009108	L 8 W 20 LAMP
35	ELE0009109	STARTER
36	0020029433	ELECTRIC OMPONENTS PROTECTION
37/a	0020029426	COIN BOX PROTECTION
37/b	0020029612	COIN BOX PROTECTION (for new electronics version)
38	0020026335	LOCK
39	4001003301	CONTAINER SECURING PIN SPRING
40	0150001102	GRATE SAFETY SPRING
41	0020029294	COINS MODULE COVER
42	0020029456	HOUSING CLOSING SHEET
43	0020029637	WASHING PROGRAM KEYBOARD LABEL



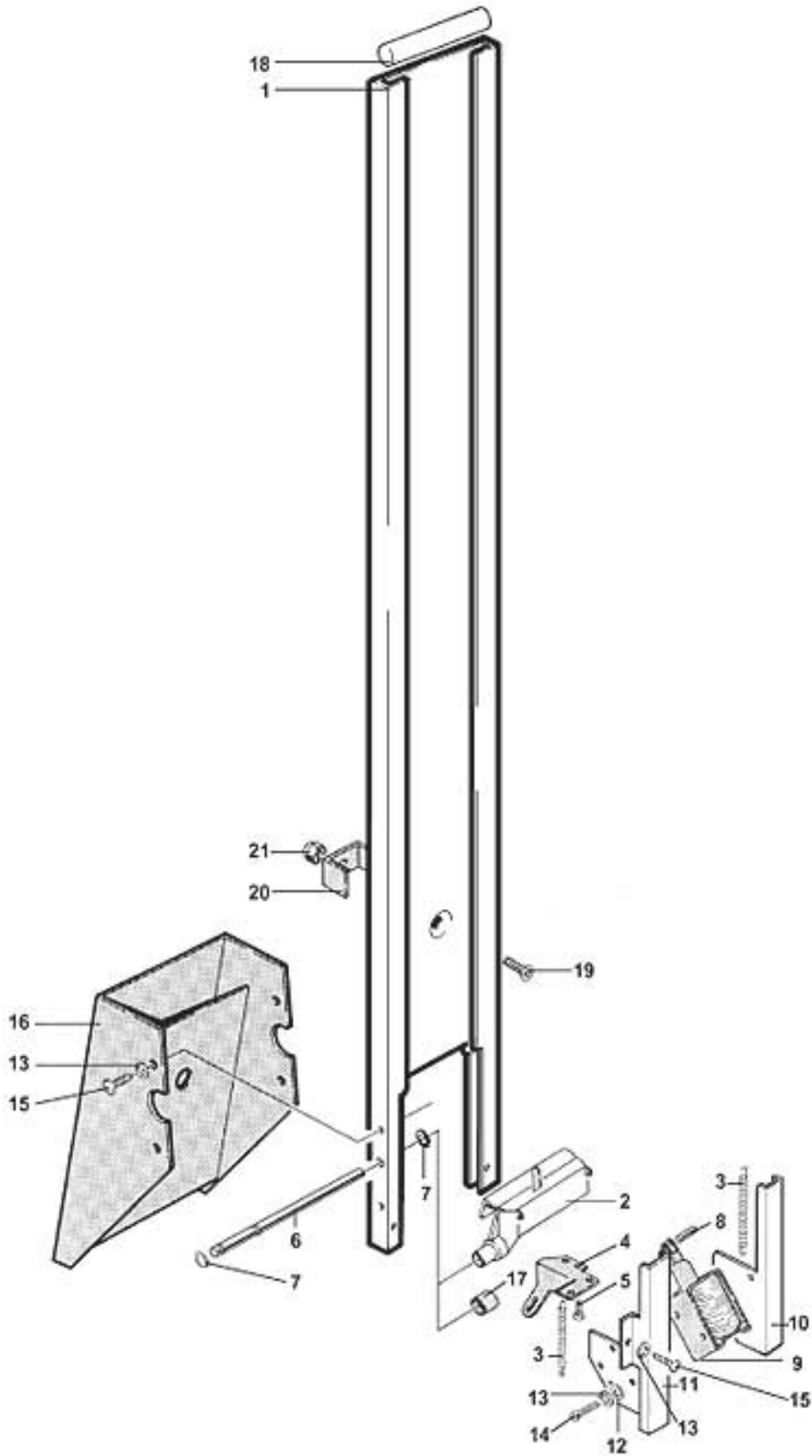
Pos.	Code	Description
1	040008433	CUPS STATION FRAME
	040008433CF	
	040008433CG	
	040008433CH	
	040008433CM	
	040008433NA	
2	040008009/2	CUPS STOP HATCH
3	0150001053	FEEDER COUNTERPART
4	0150001052	FEEDER
	0150001052CA	
	0150001052CA	
	0150001052CB	
	0150001052CB	
	0150001052NA	
	0150001052NA	
5	0150001056	DRIP TRAP
6	VIT0002452	TAPPING SCREW TCB 3.5 x 12
7	VIT0002001	2.9x 6.5 TAPPING TCB SCREW
8	040008101NA	FEEDER SUPPORT
9	040007027NA	R.H. SUPPORT
10	040007014NA	L.H. SUPPORT
11	040006026NA	L.H. BRACKET
12	040007003NA	CUP STOP SUPPORT
13	VIT0007105	BUTTON
14	VIT0007104	BUSH
15	040006033NA	CUP SUPPORT
16	040006011NA	R.H. BRACKET
17	040007021	LOCKING SPRING
18	040007017	LOCKING PLATE
	040007017CA	
	040007017CA	
	040007017CB	
	040007017CB	
	040007017NA	
	040007017NA	



Pos.	Code	Description	
1/1	0020034105CG	SPOTTED BUTTONS GLASS	*
1/2	0020034105CI	GREY BUTTON GLASS	*
1/3	0020034105NA	BLACK BUTTON GLASS	*
2/1	0020034015AB	WHITE BUTTON	*
2/2	0020034015CD	GREY BUTTON	*
2/3	0020034015CK	GREY BUTTON	*
2/4	0020034015GC	JELLOW BUTTON	*
2/5	0020034015IC	ORANGE BUTTON	*
2/6	0020034015KA	RED BUTTON	*
2/7	0020034015MA	GREEN BUTTON	*
2/8	0020034015NA	BLACK BUTTON	*
2/9	0020034015PB	BLUE BUTTON	*
3	0020034016	BUTTON SPRING	
4	0020034022	BUTTON PLUG	
5	0020034014	BUTTONS PLATE	
6	VIT0000031	M 2.5x6 SLOTTED SCREW	
7	VIT0002401	TAPPING SCREW TCB 3.5 x 9.5	
8	0020034050	KEYBOARD	
9	0020034033	KEYBOARD SUPPORT	
10	VIT0004503	NUT M 4	
11	VIT0000030	SCREW TCB M4 x 7	
12	VIT0002001	2.9x 6.5 TAPPING TCB SCREW	
13/a	0020034158	CPU BOARD SUPPORT (for old electronics versions)	
13/b	0020034299	CPU BOARD SUPPORT (for new electronics versions)	
14	VIT0000014	M 4x16 TCB SCREW	
15	0020018125	BOARD SPACER	
16	see tab. 24		
17	VIT0003502	PLASTIC WASHER D.4 SP.0.5	
18	CBL0900704	DATA COLLECTION WIRING	
19	VIT0000002	M 3x16 TCB SCREW	
20	VIT0004502	M3 NUT	
21	0020034512	PROGRAMMING KEYBOARD SECURING PLATE	
22	see tab. 24		

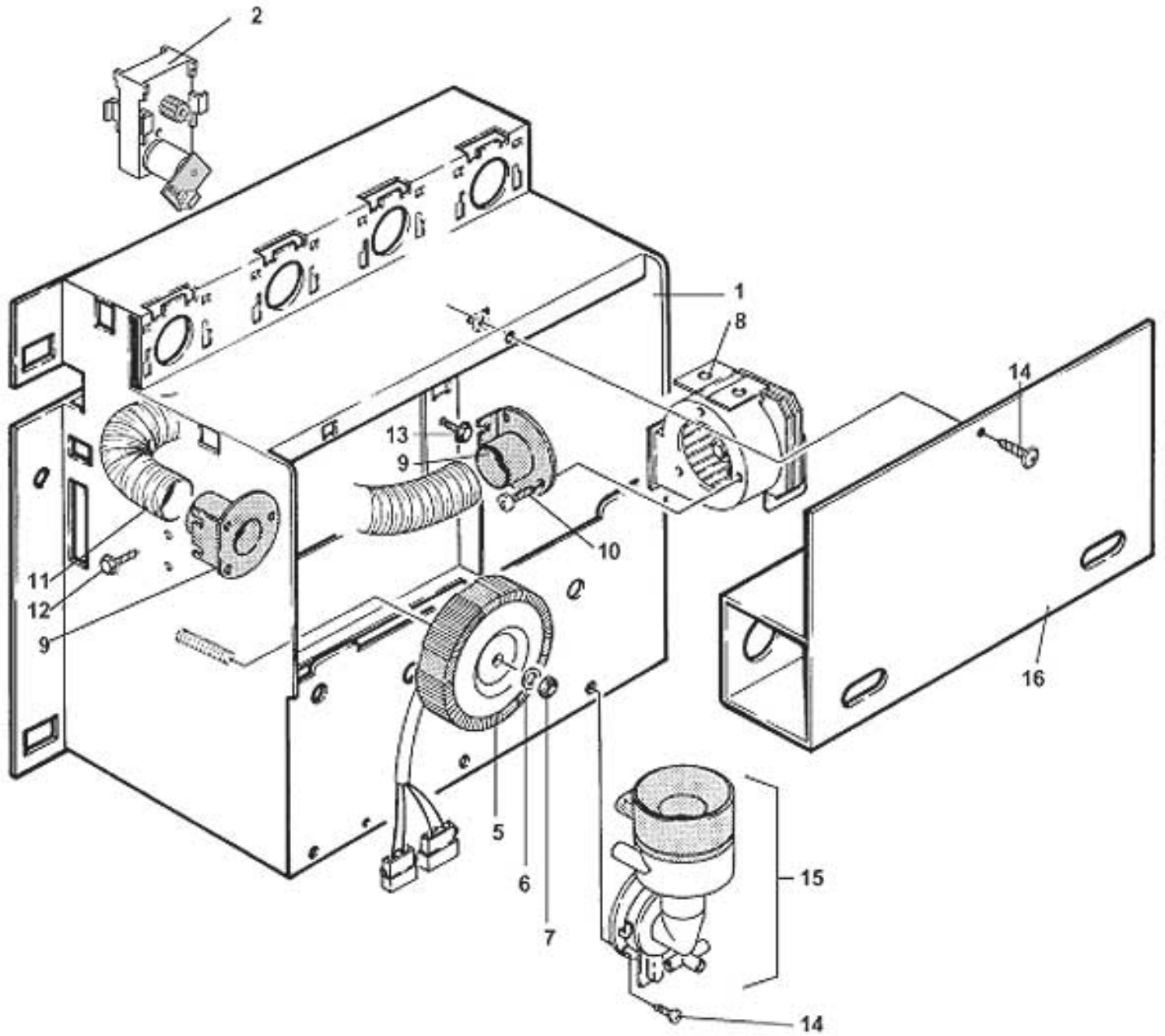


Pos.	Code	Description
1	0180011755	500-CUP LOADER STRUCTURE
2	VIT0007020	3 x 7 ALUMINIUM RIVET
3	0180009051	STOP CONNECTION SPRING
4	0180009054	STOP CONNECTION
5	0180011757	L.H. WALL ASSEMBLY
6	0180011758	R.H. WALL ASSEMBLY
7	2100002007	CUPS LOADER SPRING
8	0180011554	SPRING
9/a	0180011535	CUPS GUIDE PIN
9	0180011759	CUPS GUIDE PIN
10	VIT0002401	TAPPING SCREW TCB 3.5 x 9.5
11	0180011764	LOADER COVER
12	0180011771CK	
13	VIT0007110	BUSH
14	VIT0007111	SECURING BUTTON
15	VIT0000002	M 3x16 TCB SCREW
16	VIT0003002	D.3.2x7x0.5 WASHER
17	0180011534	COLUMN
18	VIT0000006	M 3x16 TCB SCREW
19	VIT0003102	WASHER tab D. 3.2
20	0090002512R	24 V DC 10 ROM GEAR MOTOR HEXAGONAL SHAFT
21	0190006007	FGEAR MOTOR PINION
22	ELE0001522	1-WAY 16 A 250 V MICROSWITCH
23	ELE0001906	161 E R 24.1 MICRO LEVER
24	0190006056	LOWER PLATE
25	0190006004	Z 66 RING NUT
26	0190006005	CAM WITH PINION
27	0190012155	UPPER PLATE
28	VIT0000019	M 5x35 TCB SCREW
29	0180011762	CENTRAL COLUMN RING NUT
30	0190012108	Z.30 PINION
31	0180011533	DB SHAFT FOR Z.30 PINION
32	VIT0006502	D.3.2 RADIAL STOP RING
33	VIT0003303	WASHER D.6,5 x 18 x 1,5
34	VIT0006503	D.4 RADIAL STOP RING
35/a	CBL0900202	CUP SENSOR CABLE +COLUMN SENSO
35/b	SCH0004220	CUP DETECTOR
36	VIT0002001	2.9x 6.5 TAPPING TCB SCREW
37	0180011761	CENTRAL COLUMN
38	0180005007	CENTRAL COLUMN GUIDE
39	VIT0004504	M 4 NUT
40	0090002114R	24V D.C. GEAR MOTOR 24 R.P.M.
41	0380010421	GEAR MOTOR SHAFT
42	0180011544	Z.30 PINION WITH SQUARE SEAT
43	0180011553	GEAR MOTOR SPACER
44	VIT0000015	M 4x25 TCB SCREW
45	VIT0003103	WASHER tab D. 4.3
46	VIT0004503	NUT M 4
47	VIT0007102	BENZING-QUICKLOCK
48	ELE0001506	MICROSWITCH 83.131.8-IW3M
49	VIT0002001	2.9x 6.5 TAPPING TCB SCREW
50	0180011763	LOADER HINGE PIN
51	VIT0006004	1.5x15 PIN
52	0180011528	CUPS CHUTE
53	SCH0003740	DC MOTORS FILTER
70	0180011754CL	CUPS LOADER

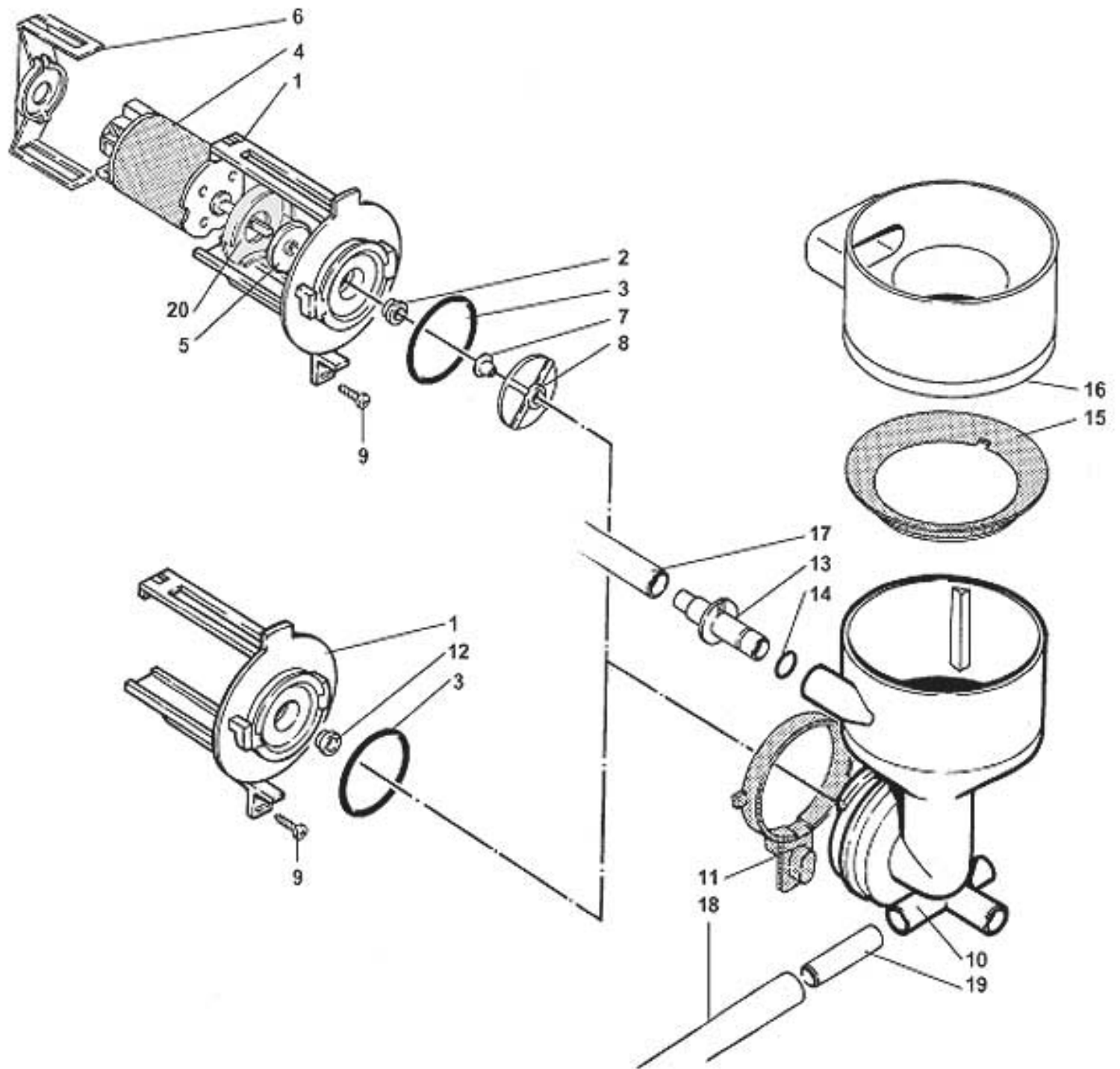




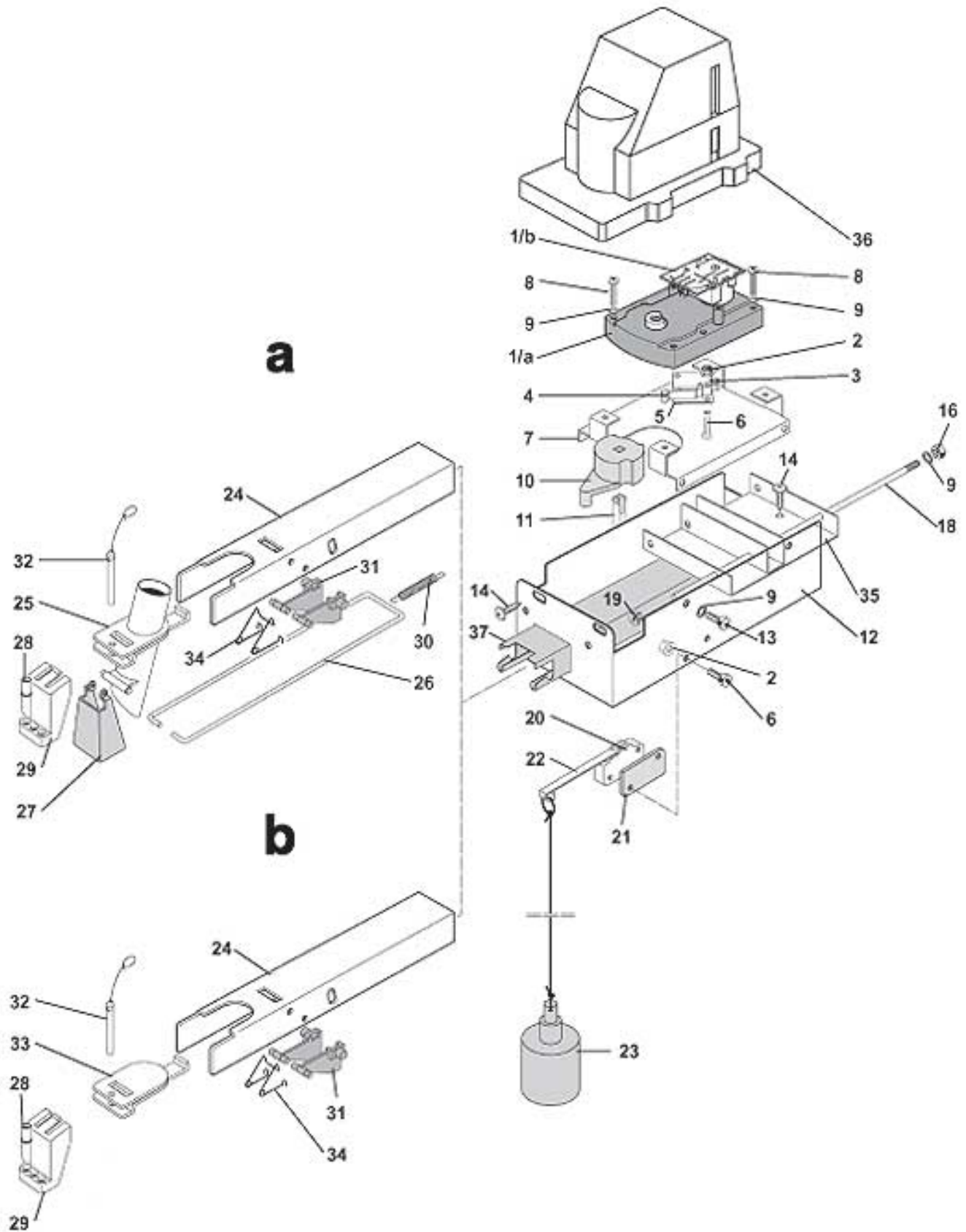
Pos.	Code	Description	
1/a	0450007013	STICKS CONTAINER mm 89	
1/b	0450003076	STICKS CONTAINER mm 104	
2	0450002003	STICKS DISPENSER	
3	0450003010	RETURN SPRING	
4	0450003108	ELECTROMAGNET CONNECTING ROD	
5	VIT0002452	TAPPING SCREW TCB 3.5 x 12	
6/a	0450003008	STICKS DISPENSER PIN 89 mm	
6/b	0450003032	STICKS DISPENSER PIN 104 mm	
7	VIT0006504	D.5 RADIAL STOP RING	
8	VIT0005211	2.5 x 12 CYLINDRICAL PIN	
9	ELE0000055	24 V DC ELECTROMAGNET	
10	0450003106	ELECTROMAGNET R.H SUPPORT	
11	0450003107	ELECTROMAGNET L.H. SUPPORT	
12	VIT0003003	WASHER D.8 x 4.3 x 0.8	
13	VIT0003405	D.4.3 GROWER WASHER	
14	VIT0000021	M 4x6 TCB SCREW	
15	VIT0002401	TAPPING SCREW TCB 3.5 x 9.5	
16/a	0450003097	STICKS FEEDER mm 89	
16/b	0450003076	STICKS CONTAINER mm 104	
17	0450003031	STICKS DISPENSER SPACER 104 mm	
18/a	4001012030	STICK WEIGHT 89 mm	
18/b	0450003033	STICK WEIGHT 104 mm	
19	VIT0000109	M 4x20 TSP SCREW	
20	4600010012	SECURING CONNECTION	
21	VIT0004810	M 4 SELFLOCKING NUT	
100	0450003061CL	SAGOMA LUCE STICKS DISPENSER mm 89	assieme
101	0450003071CL	SAGOMA LUCE STICKS DISPENSER mm 104	assieme



Pos.	Code	Description
1/a	0070010408R	SOLUBLES 5 HOUSING
1/b	0070010964R	SOLUBLES HOUSING 6
2	0090002113R	24 V DC 80 RPM PRODUCT GEAR MOTOR
3	0010020031	GEAR MOTOR SUPPORT
4	0090002111	Z 18 D.15 SHAFT
5	ELE0000562CL	TRANSFORMER
6	VIT0003005	6.4x12.5x1.6 FLAT WASHER
7	VIT0004505	NUT M6
8	ELE0000458	EXHAUST FAN
9	0010014071	D.30 EXHAUST COVER
10	VIT0002001	2.9x 6.5 TAPPING TCB SCREW
11	TEOL000002	EXTERNAL WRINKLED PIPE D.30
12	VIT0002452	TAPPING SCREW TCB 3.5 x 12
13	VIT0002455	QUICK-THREAD SCREW 3.5 x 20
14	VIT0002401	TAPPING SCREW TCB 3.5 x 9.5
15	See table MIXER	
16/a	0070010411	H/5 EXHAUST COVER ASSEMBLY
16/b	0070010969	H/6 COMPLETE EXHAUST

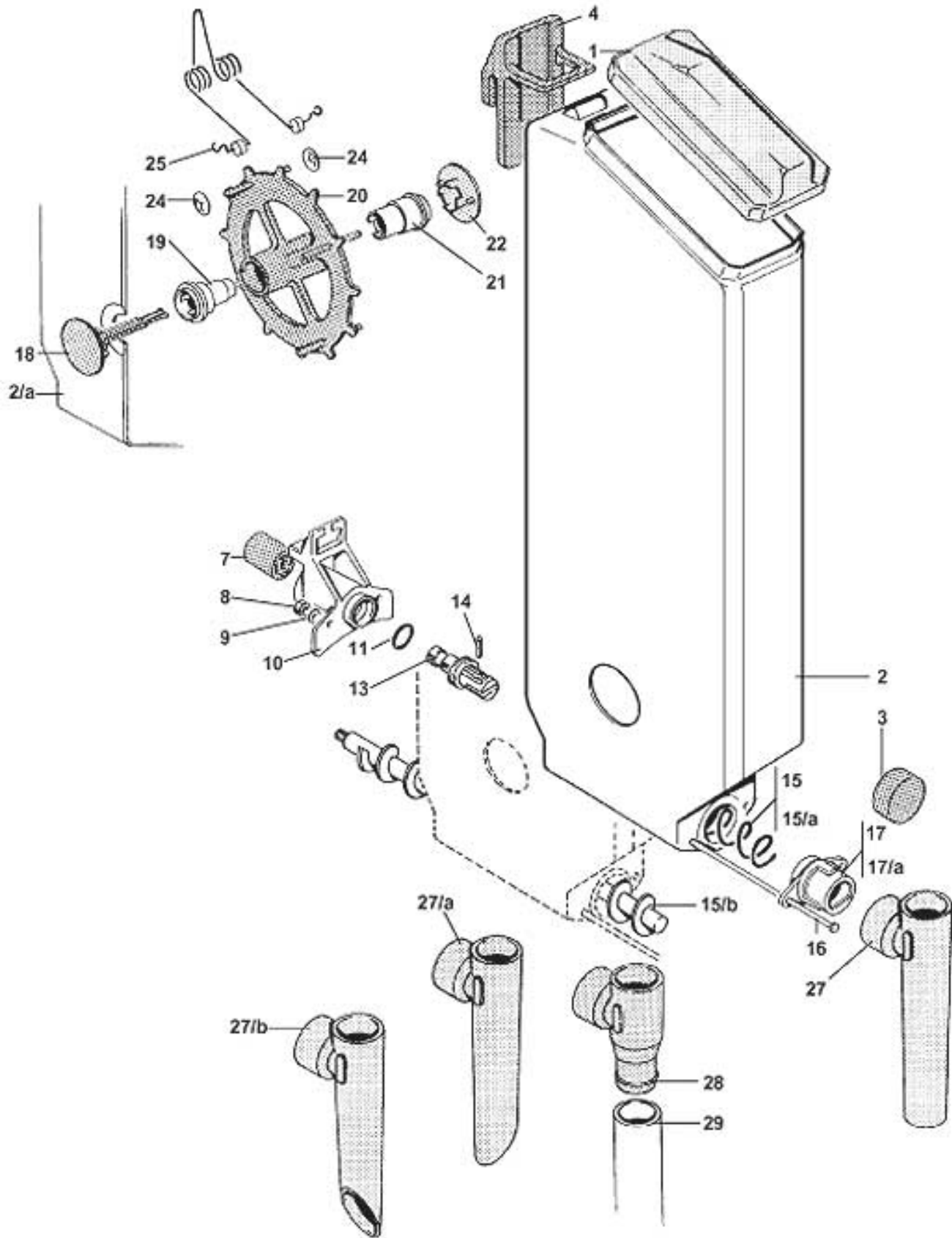


Pos.	Code	Description	
1	0080100005	MIXER BASE	
2	0080100015	MIXER BASE BUSH	
3	GUA0000084	OR 3131	
4	0090003023	24 V DC MIXER MOTOR SHAFT D.4	
5	0080100012	MIXER CONIC FAN	
6	0080100009	MOTOR HOUSING CONNECTION	
7	0080100014	MIXER SHAFT GASKET D.4	
8	0080100011	SMALL FAN MIXER SHAFT D.4	
	0080100011PL		
9	VIT0002401	TAPPING SCREW TCB 3.5 x 9.5	
10	0080100007	MIXER BODY WITH INLET	
11	0080100006	STOPPER RING	
12	0080100018	MIXER BASE PLUG	
13	0080100013	MIXER CONNECTION	
14	GUA0000085	SILICONE OR 106	
15	0080100022	MIXER BODY RING	
16	0080100021	EXHAUST BODY	
17	TSIL07/11T	TRANSPARENT SILICONE PIPE D.7 x 11	
18	TSIL06/09T	TRANSPARENT SILICONE PIPE D.6 x 9	
19	0080027029	REDUCTION FOR CAFFEINE-FREE COFFE	
20	0080100023	MIXER COVER	
100	0080100001R	MIXER BASE+MOTOR ASSEMBLY	assieme
101	0080100007R	MIXER BODY + RING STOPPER (pos.10+11)	assieme



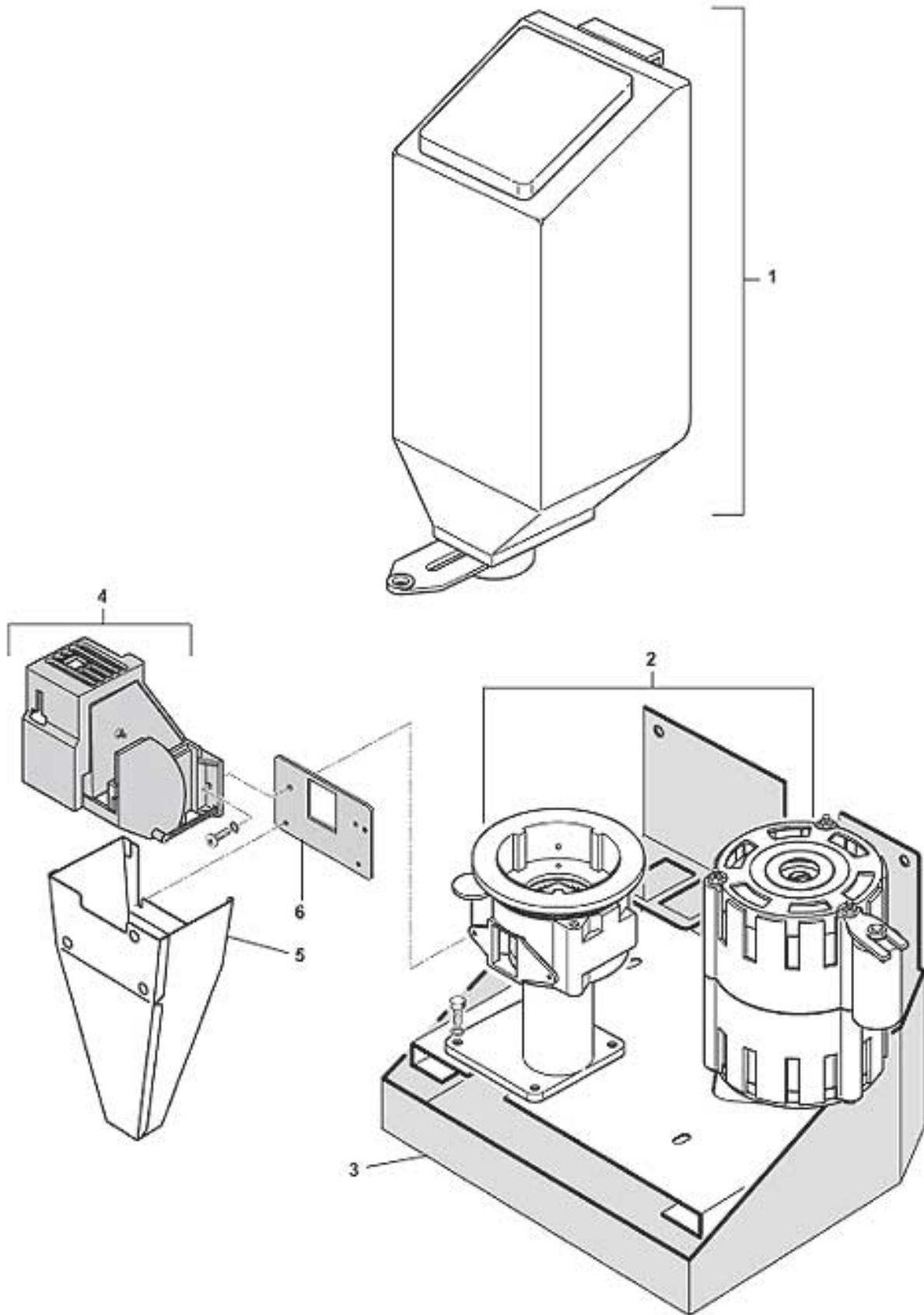
## ECO LUCE - DISTRIBUTION PIPES MOVEMENT

Pos.	Code	Description	
1	0090002115R	24V D.C. GEAR MOTOR 24 R.P.M.	
1/a	0090002114	GEAR MOTOR MOD.930 11RPM 24V DC	
1/b	SCH0004980	DC MOTORS FILTER	
2	VIT0004701	M3 FR NUT	
3	ELE0001528	MICRO 83.161.832	
4	ELE0001906	161 E R 24.1 MICRO LEVER	
5	7500902054	SUPPLEMENTARY INSULATION	
6	VIT0000006	M 3x16 TCB SCREW	
7	0380010436	GEAR MOTOR SUPPORT	
8	VIT0000015	M 4x25 TCB SCREW	
9	VIT0003103	WASHER tab D. 4.3	
10	0380010508	GEAR MOTOR CAM mm 36	
11	0380010421	GEAR MOTOR SHAFT	
12	0380010492	FASCIA PIPES MOVEMENT ESTRAIBILE	
13	VIT0002009	TAPPING SCREW T.C.B. 3.5 x 6.5	
14	VIT0002401	TAPPING SCREW TCB 3.5 x 9.5	
15			
16	VIT0004503	NUT M 4	
17			
18	0380010411	PIPES SUPPORT GUIDE SHAFT	
19	0380010534	PIPES SUPPORT GUIDE BUSH	
20	ELE0001522	1-WAY 16 A 250 V MICROSWITCH	
21	4600010014	MICRO SPACER	
22	NL201106265	MICRO LEVER	
23	0070003022	FLOATER ASSEMBLY	
24/a	0380010673	PRODUCT PIPES SUPPORT	
24/b	0380010542	PRODUCT PIPES SUPPORT	
25	0380011229	SUGAR CHUTE	
26	0380010433	WALL OPENING CONNECTION	
27	0380010424	MOBILE WALL	
28	0380010657NA	DISPENSER	
29/a	0380010491	PRODUCT PIPES SUPPORT / 3	
29/b	0380010655R	PRODUCT PIPES SUPPORT WITH HOLE	
30	0380010431	MOBILE WALL SPRING	
31	0380010599	KEY PIPES MOVEMENT	
32	0380010429CL	SECURING PIN ASSEMBLY	
33	0380010459	PIPES SUPPORT PLATE	
34	0380010629	KEY PIPES MOVEMENT	
35	0380010531	PIPES SUPPORT GUIDE	
36	0380010632NA	PIPES MOVEMENT PROTECTION	
37	0380010623	PIPES SUPPORT GUIDE	
38	0380010632NA	PIPES MOVEMENT PROTECTION	
100	0380010454CL	PIPES MOVEMENT ESTRAIBILE SAGOMA H	assieme
101	0380010456CL	PIPES MOVEMENT SAGOMA LUCE H NEW ELECTRONIC WITH RELEASE	
102	0380010436CL	PIPE MOVEMENT SAGOMA E	assieme
103	0380010438CL	PIPE MOVEMENT SAGOMA	assieme



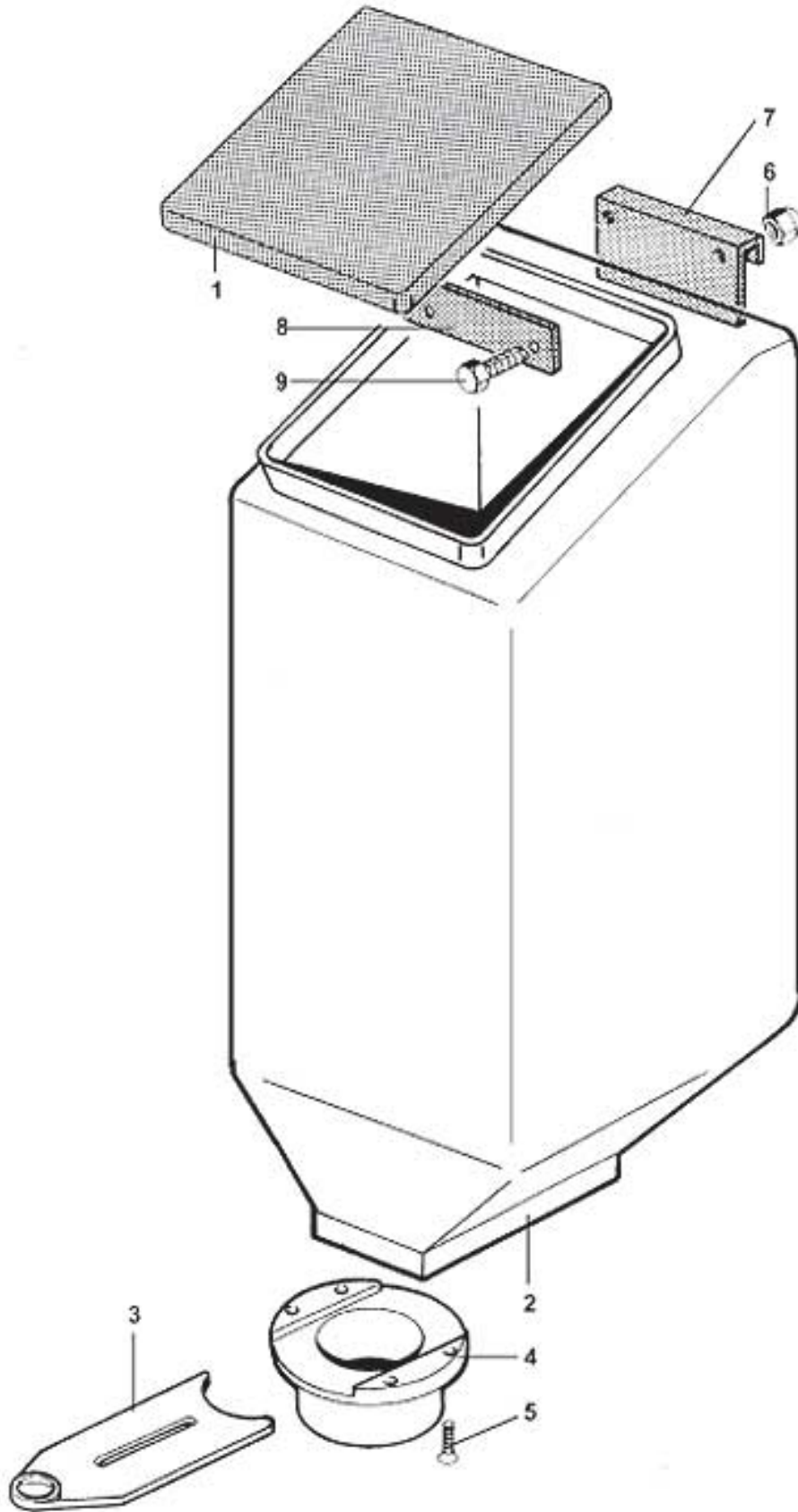


Pos.	Code	Description	
1	70003002	COINTAINER COVER	
2	70003001B	POLYETHYLENE CONTAINER WITHOUT HOLES	
2/a	70003001A	POLYETHYLENE CONTAINER WITH HOLES	
3	4002050109AD	PRODUCT CHUTE PLUG	
4	70003003	UPPER HOOKING PLATE	
5			
6			
7	0230012012	DRIVING RING GEAR SQUARE SEAT	
8	VIT0004803	STAINLESS STEEL NUT M4	
9	VIT0003202	STAINLESS STEEL FLAT WASHER D.4,3 x 9 x 0,8	
10	70003006	REAR SUPPORTING BUSH	
11	GUA0000015	119 OR	
12			
13	0230012006	WORM SCREW WITH FLANGE	
14	VIT0005301	ELASTIC PIN D.2 x 14	
15	70003016	P.18 WORM SCREW SPRING	
15/a	0230024009	WORM SCREW SPRING P.9	
16	70003010	BUSH TIE-BOLT	
17	70003008	FRONT BUSH	
17/a	70003007	FRONT BUSH	
18	70003028	STOP PIN	
19	70003027	MIXER MALE BUSH	
20	70003012	PLASTIC MIXER GEAR	
21	70003026	MIXER FEMALE BUSH	
22	70003029	STOP DISK	
23			
24	VIT0007102	BENZING-QUICKLOCK	
25	11837	MIXER	
26			
27	4001003072/20	STRAIGHT PRODUCT CHUTE mm 125	
27/a	4001003072/22	L.H. PRODUCT CHUTE mm 155	
27/b	4001003072/21	R.H. PRODUCT CHUTE mm 155	
28	0230016024	SUGAR FEEDER	
29	TSIL14/20T	D.10x14 NATURAL TRANSPARENT SILICONE PIPE	
100	0230016006CL	WORM SCREW P.9 PRODUCT CONTAIN	
101	0230017007CL	PRODUCT CONTAINER PLATIC WHEEL P.9 ASS.	assieme
102	0230017008CL	PRODUCT CONTAINER PLATIC WHEEL P.18 ASSEM.	assieme
103	0230018009CL	ROBO MIXER PRODUCT CONTAINER P.18 ASSEM.	assieme
104	0230015100CL	GROUND COFFEE DOUBLE FILTER PR	assieme
105	0230019006CL	TEA PRODUCT CONTAINER PLATIC WHEEL P.18 ASSEM.	assieme
106	0230019005CL	TEA PRODUCT CONTAINER PLATIC WHEEL P.9 ASSEM.	assieme



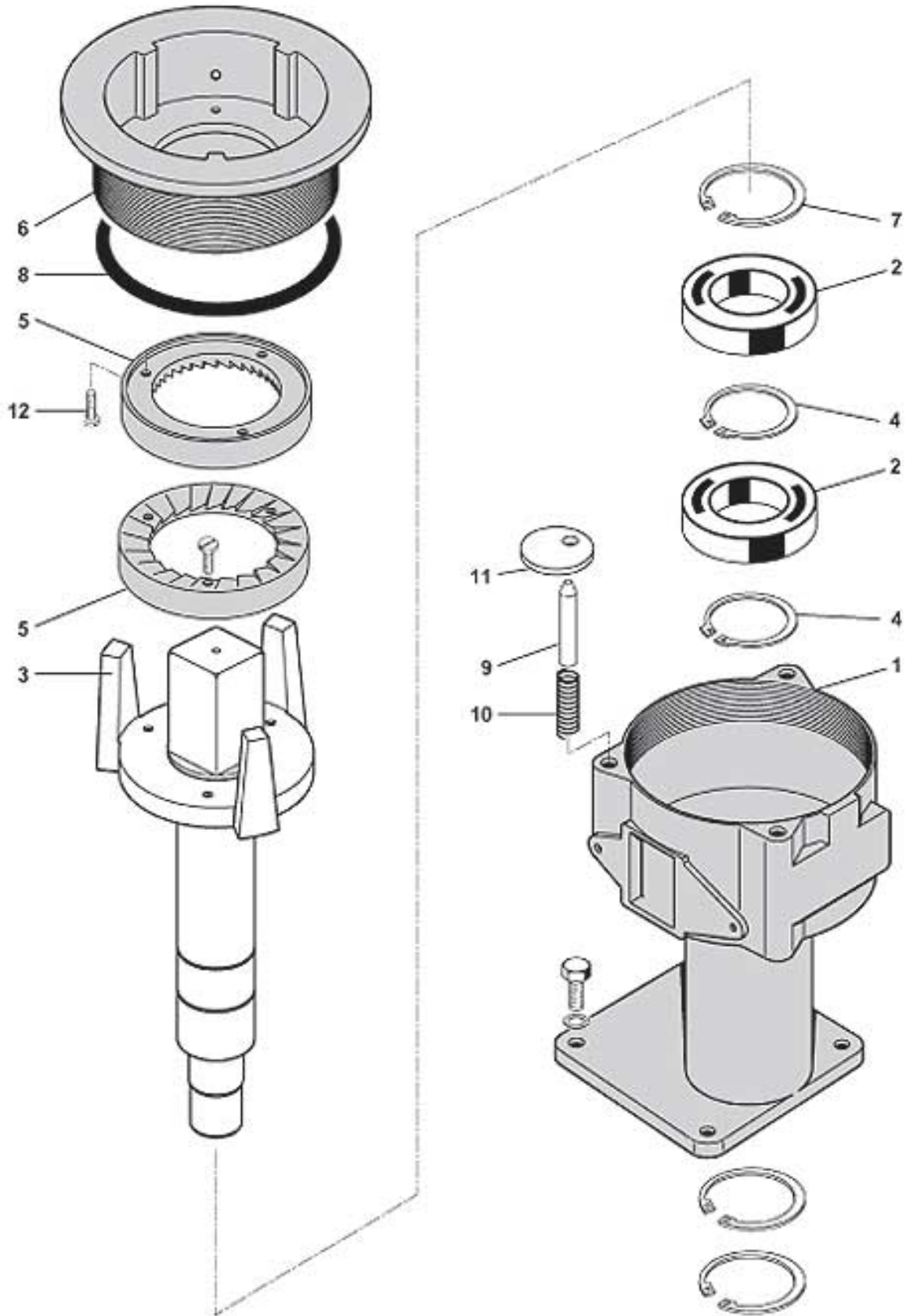
## ECO LUCE - CONTAINER BATCHER GRINDER GROUP

Pos.	Code	Description	
1	see tab. 14		
2	see tab. 16		
3	0320004073	GROUP HOUSING	
4	0350003110CL	24 V DC COFFEE PLASTIC BATCHER W/SETTING	assieme
5	0320004087	COFFEE POWDERS CHUTE	
6	0320004083	PLATE	

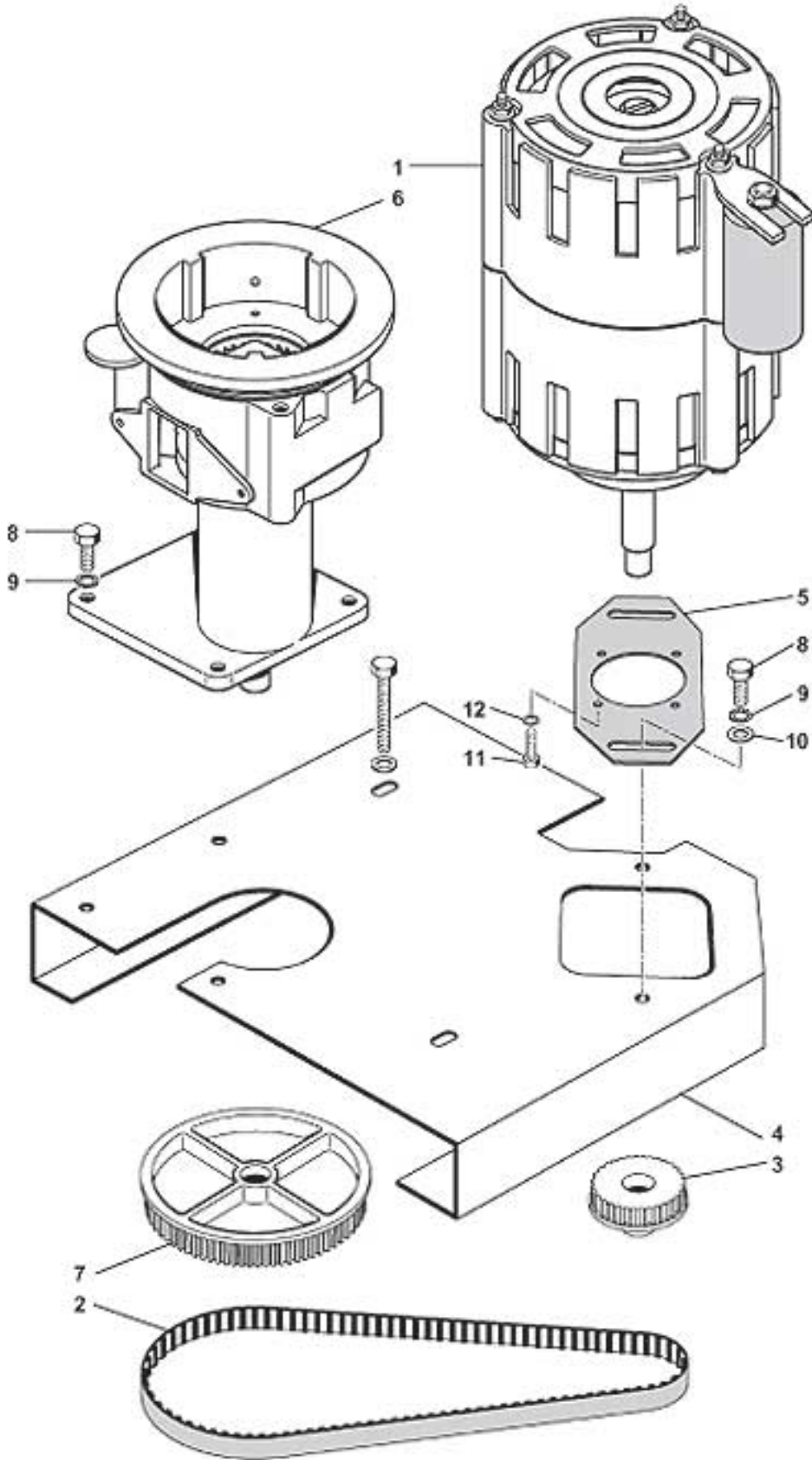


## ECO LUCE - COFFEE BEANS CONTAINER

Pos.	Code	Description
1	0230015057	COFFEE LITTLE CONTAINER COVER
2	0230015082	COFFEE CONTAINER
3	4001002077	COFFEE CONTAINER BLADE
4	4600002076	COFFEE CONTAINER BOTTOM
5	VIT0002101	3.9x 13 TAPPING TCB SCREW
6	VIT0004815	M 4 SELFLOCKING NUT
7	0230015081	HOOKING SQUARE
8	0230015037	STIFFENING
9	VIT0000234	M 4x12 STAINLESS STEEL H.H. SCREW



Pos.	Code	Description
1	0320004006	GRINDER BODY
2	VIT0009301	ZKL BEARING
3	0320004015	LOWR GRINDER SUPPORT
4	VIT0006651	D.17 RADIAL STOP RING FOR SHAFT
5	0090003015	GRINDER COUPLE 1695
6	0320002004	UPPER GRINDER SUPPORT
7	VIT0006602	D.35 RADIAL STOP RING FOR HOLE
8	GUA0000090	OR 3268
9	0320002011	COMPENSATING PIN
10	270001023	DOOR SWITCH SPRING
11	0320002010	PLATE
12	VIT0000024	M 4x8 TCB SCREW
100	0320004020CL	GRINDER GROUP



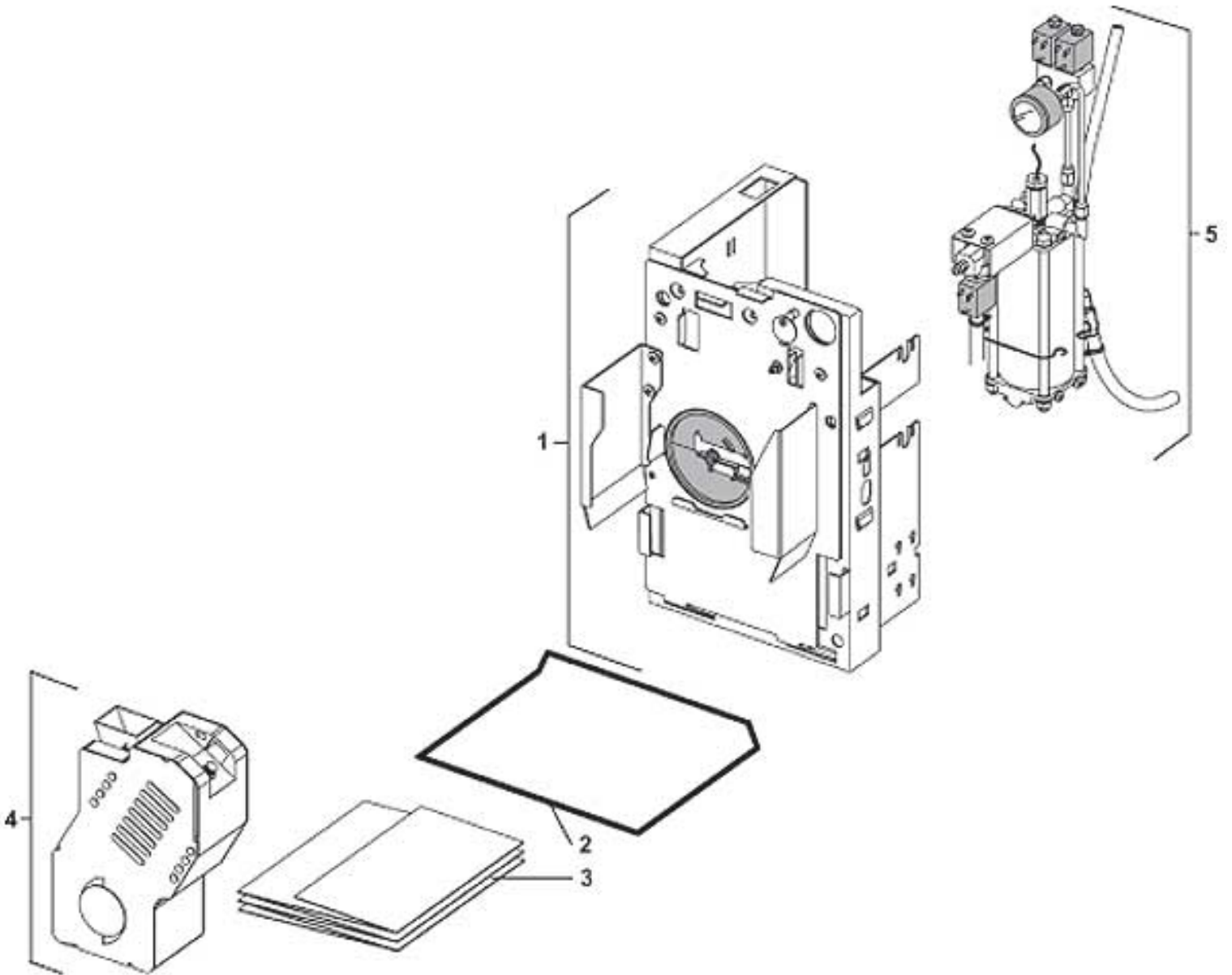


## ECO LUCE - GRINDER- BATCHER + ENGINE

Pos.	Code	Description
1	0090003016	MOTOR + CONDENSER
2	0090006003	BELT
3	0320004055	ENGINE PULLEY
4	0320004075	MILL MOTOR SUPPORT
5	0320004076	SETTING PLATE
6	0320004020CL	GRINDER GROUP
7	0320004022	GRINDER PULLEY
8	VIT0000213	M 6*12 H.H. SCREW
9	VIT0003105	WASHER tab D. 6.4
10	VIT0003005	6.4x12.5x1.6 FLAT WASHER
11	VIT0000205	SCREW TE M4x10
12	VIT0003103	WASHER tab D. 4.3
100	0320004070CL	COFFEE BEANS CONTAINER GROUP ASSEMBLY + MOTOR

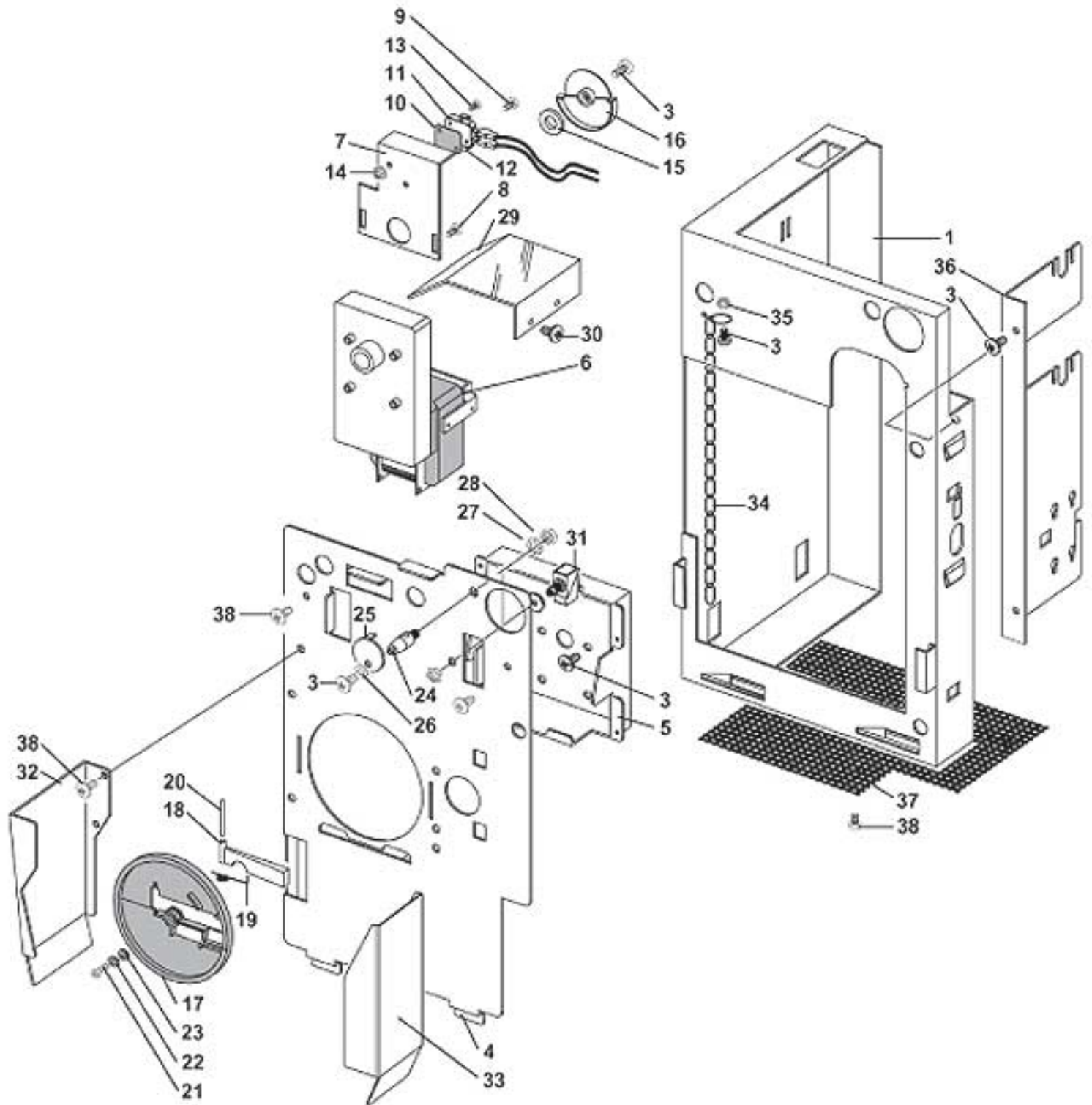


Pos.	Code	Description	
1	ELE0000056	24V DC ELECTROMAGNET W/CABLES	
2	0350003136	ELECTROMAGNET SUPPORT	
	0350003136NA		
3	VIT0000028	M 3x14 TCB SCREW	
4	VIT0000005	M 3x12 TCB SCREW	
5	0350003114	SETTING PIN	
6	VIT0009161	D.3.2 x 8 x 0.4 SPRING	
7	VIT0004814	M.3 SELFLOCKING NUT	
8	ELE0001522	1-WAY 16 A 250 V MICROSWITCH	
9	0350003121	MICRO LEVER	
10	0350003112	ROTATION PIN	
11	VIT0007101	D.3 BENZING-QUICKLOCK	
12	VIT0000009	M 3x30 TCB SCREW	
13	VIT0004502	M3 NUT	
14	0350003113	WEIGHT SETTING WHEEL	
	0350003113NA		
15	0350003122	CONNECTION TO BE TIGHTENED	
16	7500102053	MICRO SPACER	
17	0350003115	SETTING SPRING	
18	VIT0004813	M.3 CAP NUT	
19	VIT0002011	2.9x 9.5 TAPPING TCB SCREW	
20	0350003105	BATCHER BODY	
	0350003105NA		
21	0350003106	BLADE	
22	0350003301	COFFEE FEEDER	
	0350003301NA		
23	0350003302	SHAKER	
24	0350003126	ELECTROMAGNET CONNECTING ROD	
	0350003126NA		
25	VIT0005105	2 x 8 STAINLESS STEEL ELASTIC PIN	
26	0350003111	PIN	
	0350003111NA		
27	VIT0002001	2.9x 6.5 TAPPING TCB SCREW	
28	0350003129	RETURN SPRING	
29			
30	VIT0003102	WASHER tab D. 3.2	
31	0350003124	BATCHER LOCK	
32	0350003128	COVER	
33	VIT0002452	TAPPING SCREW TCB 3.5 x 12	
100	0350003110CL	24 V DC COFFEE PLASTIC BATCHER W/SETTING	assieme



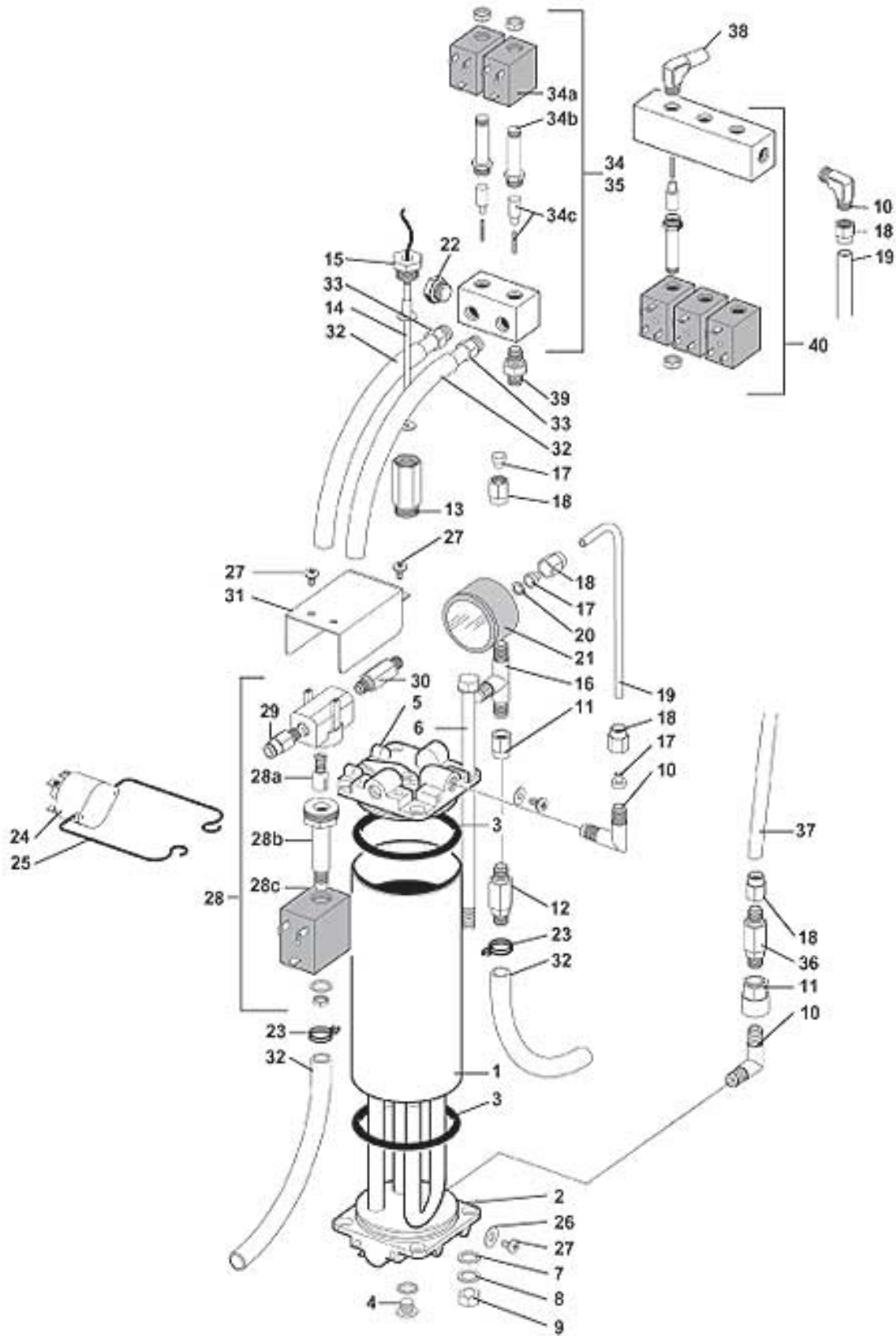
## *ECO LUCE - BOILER COFFEE GROUP HOUSING*

Pos.	Code	Description
1	see tab. 19	
2	0260005157	SAGOMA GROUND BAG SUPPORT
3	IMB0000054	POLY. GREY BAG mm 400x1000x5/100
4	see tab. 23	
5	see tab. 20	
6	see tab. 21	



## ECO LUCE - MICRO COFFEE GROUP HOUSING

Pos.	Code	Description
1	0260010215	HOUSING STRUCTURE
2	0260005156	MILL SECURING CLIP
3	VIT0000030	SCREW TCB M4 x 7
4	0260010217	G.M.S. SUPPORT FRONT
5	0260010102	MICRO GROUP MOTOR SUPPORT
6	0090002182	MICRO GROUP MOTOR
7	0250008093	MICRO PLATE
8	0250008092	M4 SPECIAL SCREW
9	VIT0005521	4x25 TCEI SCREW
10	4600010014	MICRO SPACER
11	ELE0001510	1 WAY 0.1 A 250 V MICROSWITCH
12	ELE0001904	MICRO LEVER
13	VIT0000006	M 3x16 TCB SCREW
14	VIT0004701	M3 FR NUT
15	0250008091	MICRO SPACER
16	0250008043	GROUP READER DISK
17	0250008012	MOTOR CRANK
18	0250008034	HOOKING LEVER
19	0250008059	SPRING FOR HOOKING LEVER
20	VIT0005205	4 x 40 CYLINDRICAL PIN
21	VIT0005508	4x12 TCEI SCREW
22	VIT0003103	WASHER tab D. 4.3
23	VIT0003003	WASHER D.8 x 4.3 x 0.8
24	0260010103	MICRO GROUP HOOKING BLOCK
25	0260010104	STOP DISK
26	VIT0003301	WASHER D.12 x 4.3 x 1.5
27	VIT0003105	WASHER tab D. 6.4
28	VIT0004505	NUT M6
29	0260005161	SAGOMA PLASTIC GROUP GEAR MOTOR PROTECTION
30	VIT0002011	2.9x 9.5 TAPPING TCB SCREW
31	ELE0001506	MICROSWITCH 83.131.8-IW3M
32	0260010207	COFFEE POWDERS CHUTE
33	0260010112	GROUNDS FEEDER
34	VIT0010102	D. 1.6 CHAIN
35	VIT0004503	NUT M 4
36	0260010218	G.M.S. BOILER SUPPORT
37	0260010229	G.M.S. HOUSING LOWER PROTECTION
38	VIT0002401	TAPPING SCREW TCB 3.5 x 9.5
100	0260010121R	

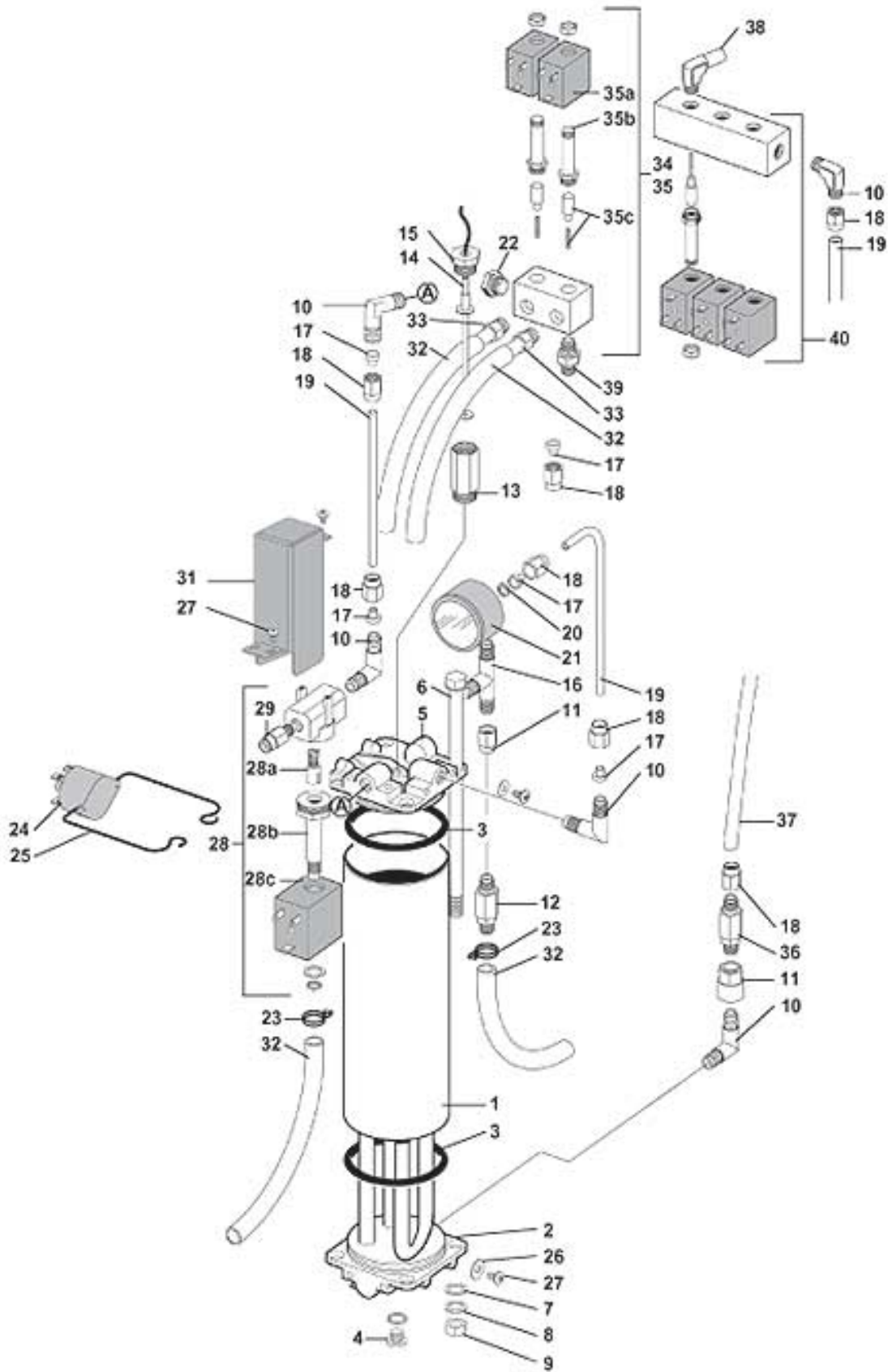




## ECO LUCE - MM 150 MICRO GROUP BOILER

Pos.	Code	Description
1	0600012514	JACKET MM 150
2	0600012512	FLANGE WITH 1100W 230 V HEATING ELEMENT
3	GUA0000047	164 VITON OR
4	0100001064	174 M PLUG + OR
5	0600012532	FLANGE WITH PIPE
6	0600012515	TIE-BOLT MM 177
7	VIT0003206	D. 8.4x16x1.6 WASHER
8	VIT0003402	D. 8.4 GROWER SPRING WASHER
9	VIT0004506	M 8 NUT
10	0100001019	L FITTING D.6-1/8M CON.
11	0100001007	STRAIGHT CONNECTION 1/8F -1/8 FEMALE
12	0110002003	1/8M INLET - 1/8M OUTLET NON-RETURN VALVE
13	0100003012	SAGOMA PROBE CONNECTION
14	ELE0000970	mm 500 BULB PROBE
15	0600015507	PROBE PLUG
16	0100001030	T UNION D.6-1/8-D.6
17	0100002002	LOCKING RING D.6
18	0100001002	NUT FOR PIPE FITTING D.6
19	TCU0000002	D.4x6 COPPER PIPE
20	0100003002	COPPER GASKET
21	0110006001	D.40 0-20 bar MANOMETER - 1(8' REAR CONN.
22	4600020115	PLUG
23	FASC000102	D.12 PIPES CLIP
24	ELE0009001	120° CLICSON
25	250020087	SAFETY SWITCH SECURING SPRING
26	1600001098	SYNTHETIC RUBBER D.4.5 SPACER
27	VIT0000030	SCREW TCB M4 x 7
28	0110001072	24 DC 1/8 3-WAY VALVE
28/a	0110010020	CORE WITH SPRING FOR 3-WAY VALVE
28/b	0110010035	3-WAY VALVE SLEEVE
28/c	0110010065	8W 24 D.C. COIL
29	0100001070	STRAIGHT CONNECTION 800 - 1/8 VITON
30	0600012658	VALVE BOILER CONNECTION
31	0600012659	VALVE COVER
32	TSIL07/11T	TRANSPARENT SILICONE PIPE D.7 x 11
33	2500001139	VALVE RUBBER-HOLDER CONNECTION
34	0110001065	2 24 DC E.INF. 2-WAY VALVE W/BLOCK
34/a	0110010062	5W 24 DC COIL
34/b	0110010059	SLEEVE FOR 2-WAY VALVE W/BLOC
34/c	0110010060	CORE W/SPRING FOR 2-WAY VALVE W/BLOCK
35	0110001090	2 24 DC E.INF. 2-WAY VALVE W/BLOCK
35/a	0110010108	5 W 24 DC COIL
35/b	0110010109	SLEEVE FOR 2-WAY VALVE W/BLOCK
35/c	0110010110	CORE W/SPRING FOR 2-WAY VALVE WITH BLOCK
36	0110002004	SAFETY VALVE
37	TNAY000001	D.6*4 POLYAMIDE PIPE
38	250020146	ELBOW CONNECTION
39	0100001017	STRAIGHT CONNECTION D.6-1/8M CON.
40	0110001079	3 EV 2 VIE C/BLOCCHETTO 24 DC
100	0600012530	COOFFEE BOILER MM 150 FOR MICRO GROUP

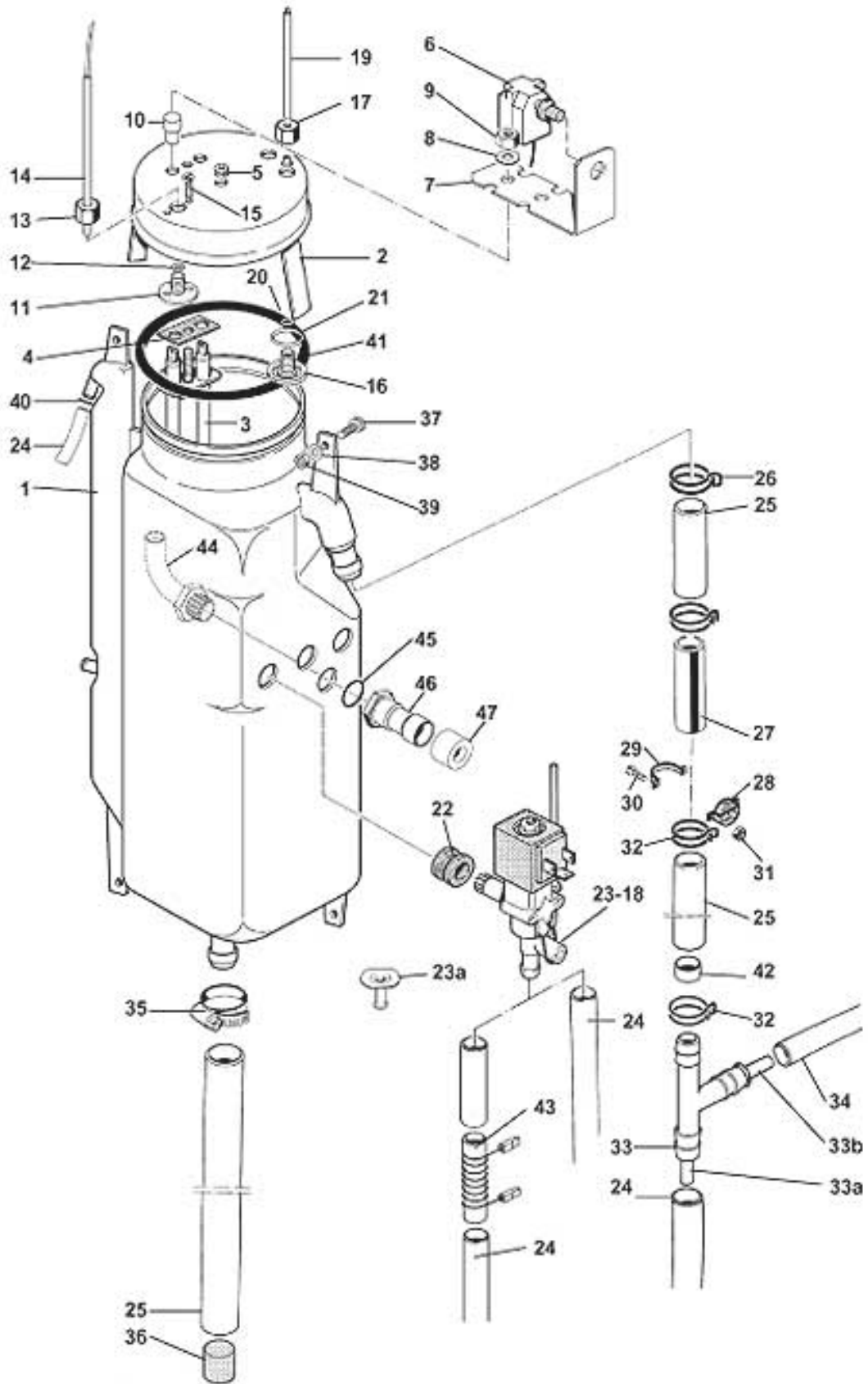
assieme



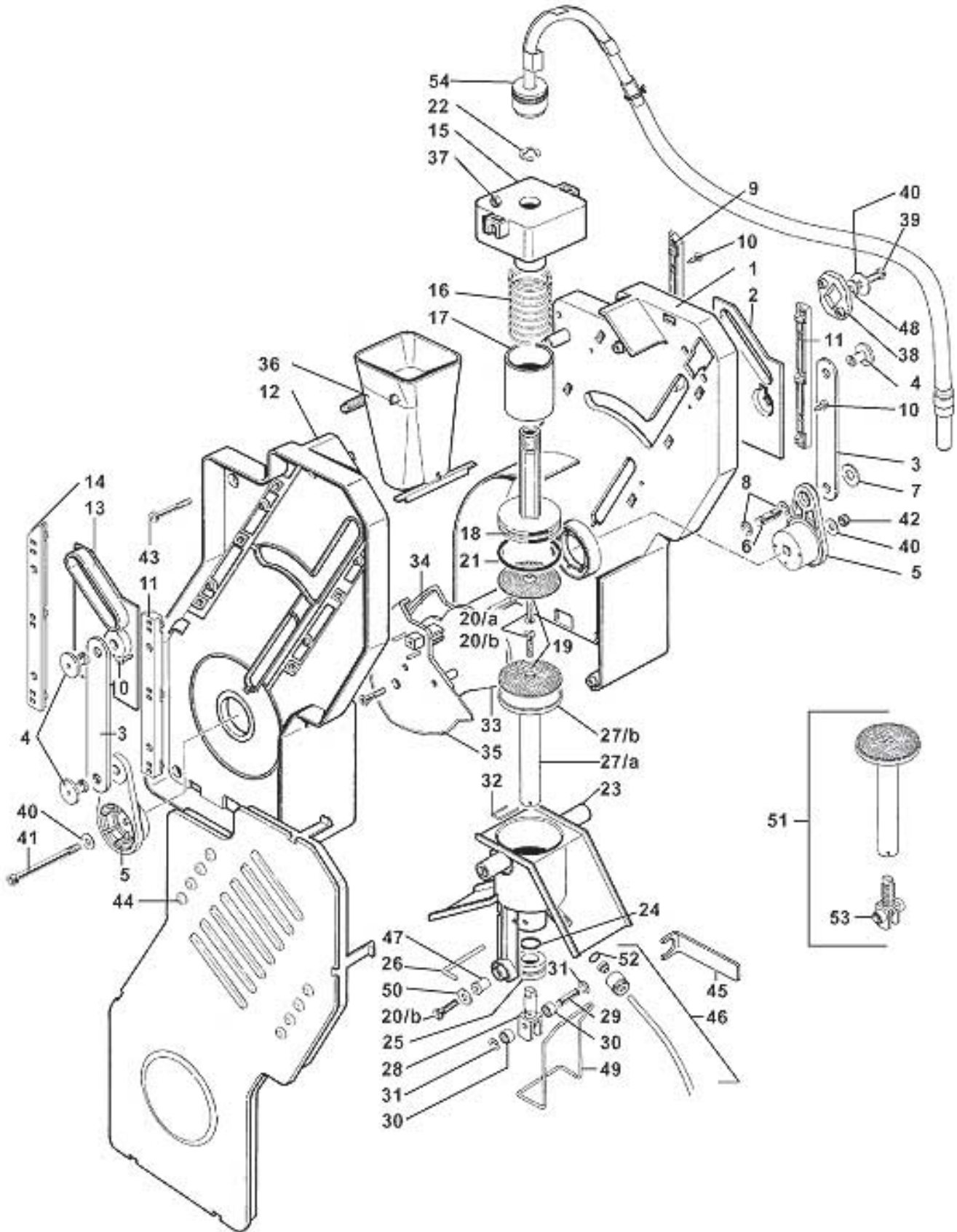
## ECO LUCE - MM 195 MICRO GROUP BOILER

Pos.	Code	Description
1	250020078	JACKET
2	0600012519	FLANGE WITH 1100W 230 V HEATING ELEMENT
3	GUA0000047	164 VITON OR
4	0100001064	174 M PLUG + OR
5	0600012532	FLANGE WITH PIPE
6	250020079	TIE-BOLT
7	VIT0003206	D. 8.4x16x1.6 WASHER
8	VIT0003402	D. 8.4 GROWER SPRING WASHER
9	VIT0004506	M 8 NUT
10	0100001019	L FITTING D.6-1/8M CON.
11	0100001007	STRAIGHT CONNECTION 1/8F -1/8 FEMALE
12	0110002003	1/8M INLET - 1/8M OUTLET NON-RETURN VALVE
13	0100003012	SAGOMA PROBE CONNECTION
14	ELE0000970	mm 500 BULB PROBE
15	0600015507	PROBE PLUG
16	0100001030	T UNION D.6-1/8-D.6
17	0100002002	LOCKING RING D.6
18	0100001002	NUT FOR PIPE FITTING D.6
19	TCU0000002	D.4x6 COPPER PIPE
20	0100003002	COPPER GASKET
21	0110006001	D.40 0-20 bar MANOMETER - 1(8' REAR CONN.
22	4600020115	PLUG
23	FASC000102	D.12 PIPES CLIP
24	ELE0009001	120° CLICSON
25	250020087	SAFETY SWITCH SECURING SPRING
26	1600001098	SYNTHETIC RUBBER D.4.5 SPACER
27	VIT0000030	SCREW TCB M4 x 7
28	0110001072	24 DC 1/8 3-WAY VALVE
28/a	0110010020	CORE WITH SPRING FOR 3-WAY VALVE
28/b	0110010035	3-WAY VALVE SLEEVE
28/c	0110010065	8W 24 D.C. COIL
29	0100001070	STRAIGHT CONNECTION 800 - 1/8 VITON
30		
31	0600012661	VALVE SECURING COVER
32	TSIL07/11T	TRANSPARENT SILICONE PIPE D.7 x 11
33	2500001139	VALVE RUBBER-HOLDER CONNECTION
34	0110001065	2 24 DC E.INF. 2-WAY VALVE W/BLOCK
34/a	0110010062	5W 24 DC COIL
34/b	0110010059	SLEEVE FOR 2-WAY VALVE W/BLOC
34/c	0110010060	CORE W/SPRING FOR 2-WAY VALVE W/BLOCK
35	0110001090	2 24 DC E.INF. 2-WAY VALVE W/BLOCK
35/a	0110010062	5W 24 DC COIL
35/b	0110010123	2-WAY SLEEVE CH 14
35/c	0110010124	2-WAY MOBILE CORE ASSEMBLY
36	0110002004	SAFETY VALVE
37	TNAY000001	D.6*4 POLYAMIDE PIPE
38	250020146	ELBOW CONNECTION
39	0100001017	STRAIGHT CONNECTION D.6-1/8M CON.
40	0110001079	3 EV 2 VIE C/BLOCCHETTO 24 DC
100	0600012540	COFFEE BOILER MM 195 FOR MICRO

assieme

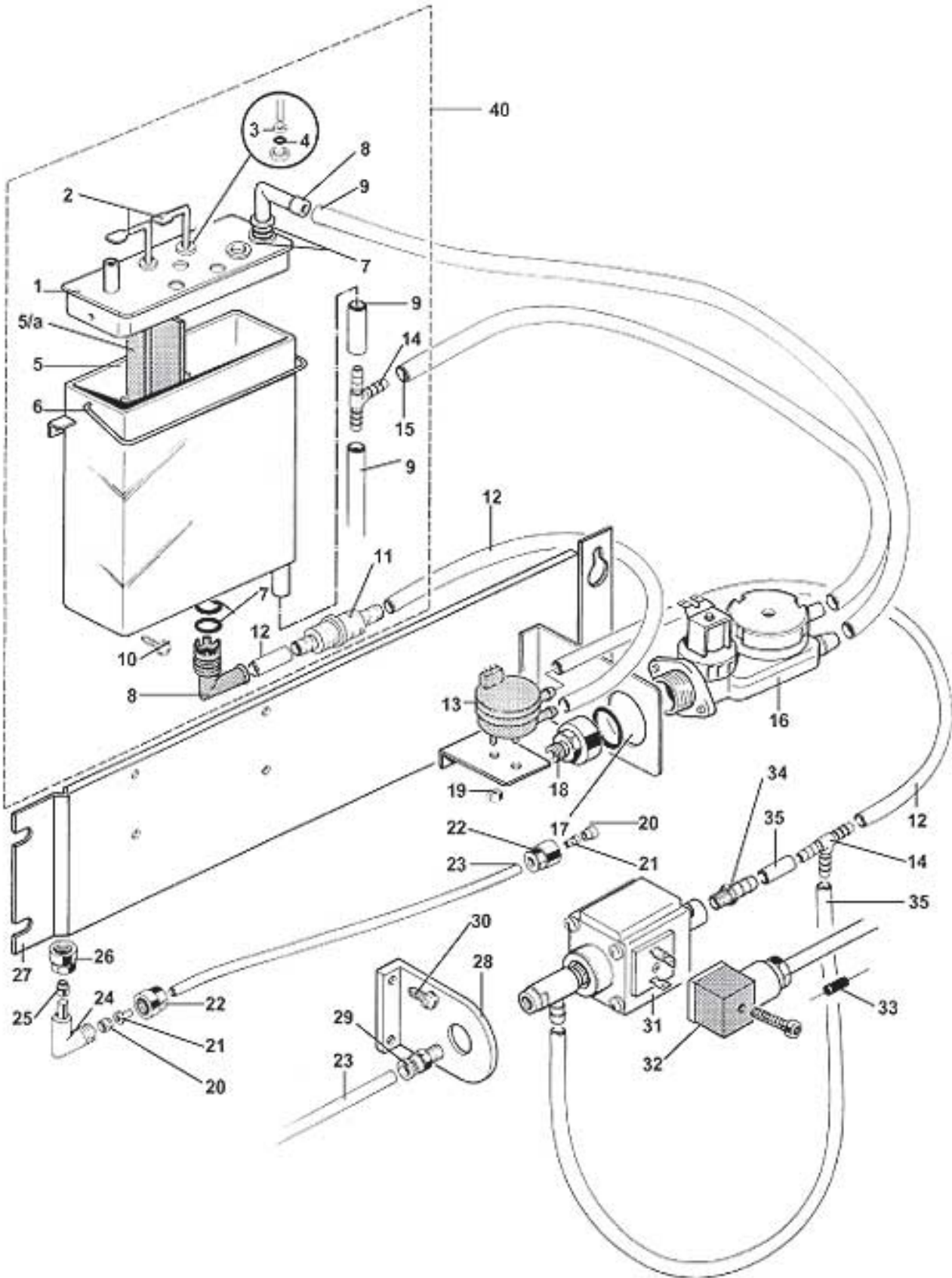


Pos.	Code	Description	
1	0600012619		
2	0600012621	H2O CONTAINER COVER W/SPRING	
3	0600012622	1650W 230 V HEATING ELEMENT	
4	0600012624	HEATING ELEMENT GASKET	
5	GUA0010551	20/65/15 CORE HITCH	
6	ELE0000907	SAFETY SWITCH WITH MANUAL RESET	
7	0600012312	SAFETY SWITCH SUPPORT	
8	VIT0003203	STAINLESS STEEL FLAT WASHER D.5.3 x 10 x 1	
9	VIT0004804	STAINLESS STEEL NUT M5	
10	0600012626	PROBE GUIDE	
11	NL202101016	SOLUBLES PROBE SUPPORT	
12	GUA0000069	2015 OR	
13	0600011107	SOLUBLES PROBE NUT	
14	ELE0000958	SAGOMA SOLUBLES PROBE	
15	VIT0001105	M 3x8 STAINLESS STEEL H.H. SCREW	
16	0600015223	BRASS LEVEL PROBE SUPPOT	*
17	0600015208	LEVEL PROBE SUPPORT NUT	
18	0110001081	24 V DC 2-WAY VALVE -ERA	
19/a	0600015224	mm 130 COATED LEVEL PROBE	*
19/b	0600015225	mm 112 COATED LEVEL PROBE	*
20	GUA0000069	2015 OR	
21	GUA0000062	2056 OR	
22	0600012315	VALVE GASKET	
23	0110001095	24DC 70% 2-WAY SOLENOID VALVE O. Up to serial 04219999	
23/a	0110010127	CORE W/SPRING FOR VALVE 70% Up to serial 04219999	
23	0110001108	24 DCVALVE 2-WAY 70% O From serial 04220001	
23/a	0110010132	GASKET FOR EV 0110001108 From serial 04220001	
23/b	0110010133	CORE FOR EV. 0110001108 From serial 04220001	
24	TSIL07/11T	TRANSPARENT SILICONE PIPE D.7 x 11	
25	TSIL14/20T	D.10x14 NATURAL TRANSPARENT SILICONE PIPE	
26	FASC000106	D.20 PIPES CLIP	
27	0600012316	THERMOSTAT-HOLDER PIPE	
28	ELE0000908	SAFETY SWICTH 65°C WITH MANUAL RESET	
29	ELE0000914	SAFETY SWITCH CONNECTION	
30	VIT0000004	M 3x10 TCB SCREW	
31	VIT0004502	M3 NUT	
32	FASC000104	D-16 PIPES CLIP	
33	0100003007	TEE UNION	
33/a	0600012324	WATER DISCHARGE PIPE REDUCTION	
33/b	0600012325	WATER INLET PIPE REDUCTION	
34	TSIL04/06T	D.4x6 NATURAL TRANSPARENT SILICONE PIPE	
35	FASC000006	HOSE SCREW CLAMP	
36	NL201106295	BOILER DISCHARGE PLUG	
37	NL202100059	BOILER SUPPORTING PIN	
38	VIT0003302	5.5x12x1.5 FLAT WASHER	
39	VIT0004504	M 4 NUT	
40	FASC000102	D.12 PIPES CLIP	
41	GUA0000063	SILICONE 4412 OR	
42	TSIL10/14T	TRANSPARENT SILICONE PIPE D.10 x 14	
43	0810004027	PIPE WITH HEATING ELEMENT FOR INSTANT COFFEE	
44	0600012627CL	STRAIGHT CONNECTION	
45	GUA0000016	121 OR	
46	0600012628	STRAIGHT CONNECTION ESTERNO SOLENOID VALVE	
47	GUA0002006	GASKET 4979	
100	0600012720CL	SAGOMA H ASS.4EV ERA BOILER	assieme
101	0600012721CL	SAGOMA H ASS 4EV ODE BOILER	assieme
102	0600012725CL	SAGOMA H ASS 3EV ERA BOILER	assieme
103	0600012726CL	SAGOMA H ASS 3EV ODE BOILER	assieme



Pos.	Code	Description
1	0250008005	R.H. FRAME
2	0250008084	R.H. INFUSION CHAMBER CAM
3	0250008009	CONNECTING ROD
4	0250008028	PIN FOR CONNECTING ROD
5	0250008011	R.H. CRANK
6	0250008014	MOTOR CRANK PIN
7	0250008042	ANTIVIBRATION WASHER
8	VIT0006515	D.5 RADIAL STOP RING
9	0250008031	R.H. REAR GUIDE
10	VIT0002026	3.5x 6.5 STAINLESS STEEL TAPPING TCB SCREW
11	0250008033	FRONT GUIDE
12	0250008006	L.H. FRAME
13	0250008085	L.H. INFUSION CHAMBER CAM
14	0250008032	L.H. REAR GUIDE
15	0250008086	UPPER FILTER SUPPORT
16	0250008024	UPPER FILTER SPRING
17	0250008087	SPRING COVER PIPE
18/a	0250008026	D.36 UPPER FILTER
18/b	0250008208	D.40 UPPER FILTER
	0250008208IC	
19/a	0250008099	FILTER
19/b	0250008211	FILTER D.40
20/a	VIT0001202	M 3x14 TSP SCREW
20/b	VIT0000121	M 3x8 TSP SCREW
21/a	GUA0000080	SILICONE 4112 OR
21/b	GUA0000097	SILICONE 4131 OR
22	VIT0006513	D.8 STAINLESS STEEL INSIDE SEEGER
23/a	0250008046R	INFUSION CHAMBER
23/b	0250008206R	INFUSION CHAMBER D.40
	0250008206RIC	
24	GUA0000065	SILICONE OR 112
25	0250008053	LOWER INLET CUP BUSH
26	0250008029	GLASS BUSH PIN
27/a	0250008108	FILTER SUPPORT SHFT
27/b	0250008122	LOWER FILTER
27/c	0250008209	LOWER FILTER D.40
	0250008209IC	
28	0250008106	LOWER FILTER ROLL SUPPORT
29	0250008021	ROLL SHAFT
30	0250008022	ROLL SHAFT
31	VIT0006516	D.3.2 RADIAL STOP RING
32	0250008027	LOWER FILTER PIN
33	0250008083	FILTER EJECTION CAM
34	0250008016	R.H. FILTER RECOVERY CAM
35	0250008017	L.H. FILTER RECOVERY CAM
36	0250008036	COFFEE CONE
37	VIT0004803	STAINLESS STEEL NUT M4
38	0250008035	SETTING PLATE
39	VIT0000032	M 4x8 INOX TCB SCREW
40	VIT0003309	4.3x16x1.5 STAINLESS STEEL FLAT WASHER
41	VIT0005523	4x60 STAINLESS STEEL TCEI SCREW
42	VIT0004810	M 4 SELFLOCKING NUT
43	VIT0002461	SCREW TCCCR 4,2 x 26
44	0250008039	L.H. FRAME COVER
45	0250008048	KEY FOR NUT
46	0250008050	WATER INLET PIPE ASSEMBLY
47	VIT0009203	M 3 CONNECTION FOR THERMOPLASTIC
48	VIT0003451	GROWER SPRING WASHER
49	0250008094	SCRAPER
50	0250008088	WASHER FOR CHAMBER CAM
51	0250008109R	D.36 LOWER FILTER+ROLL SUPPORT ASSEMBLY
52	GUA0000061	2010 VITON OR
53	0250008107R	LOWER FILTER ROLL SUPPORT
54	0250008060	COFFEE OUTLET PIPE ASSEMBLY
100	0250008001R	MICRO COFFEE GROUP
101	0250008201R	MICRO COFFEE GROUP D.40
102	0250008026R	D.36 UPPER FILTER ASSEMBLY
103	0250008208R	D.40 UPPER FILTER ASSEMBLY
104	0250008108R	D.36 LOWER FILTER

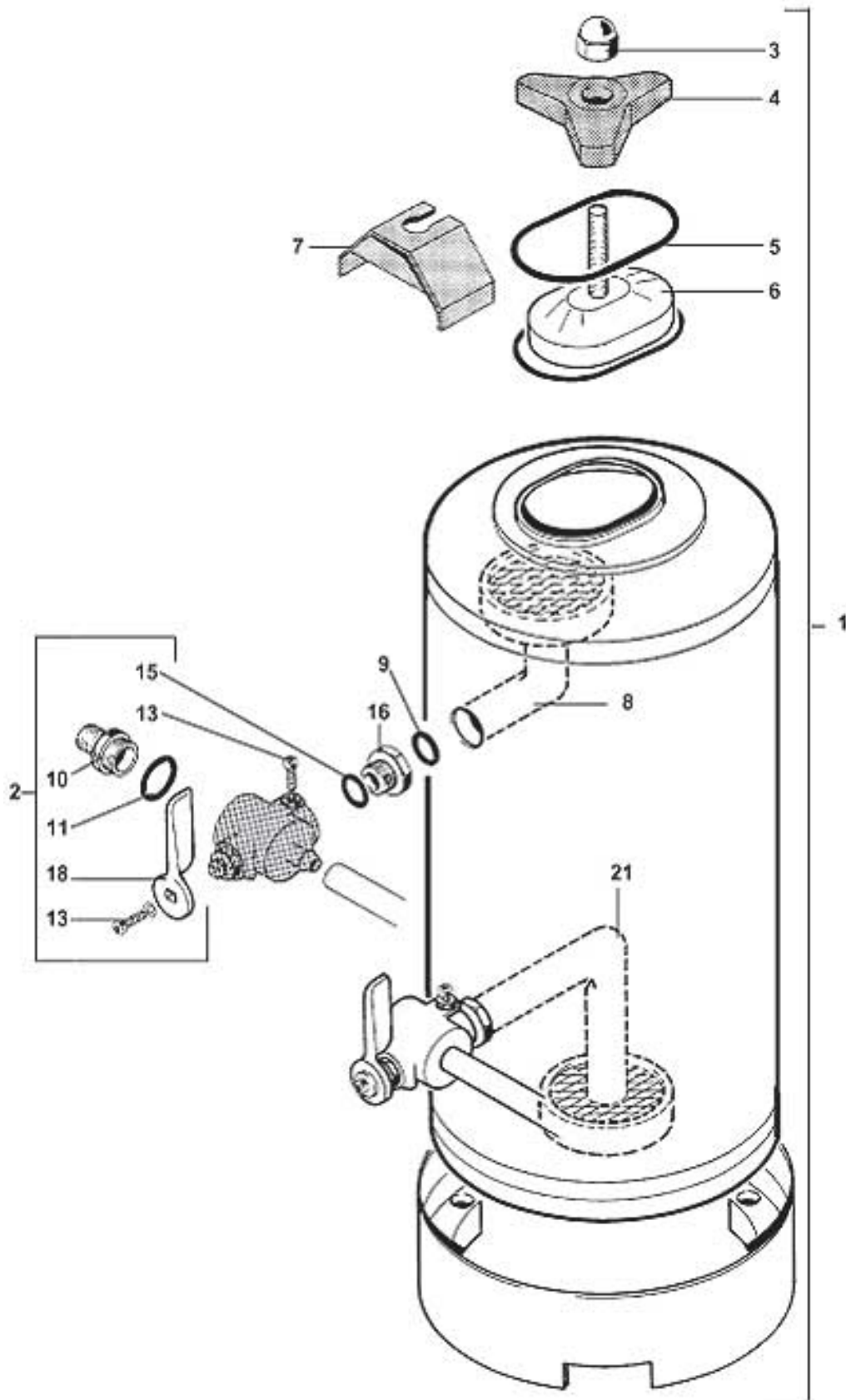
assieme



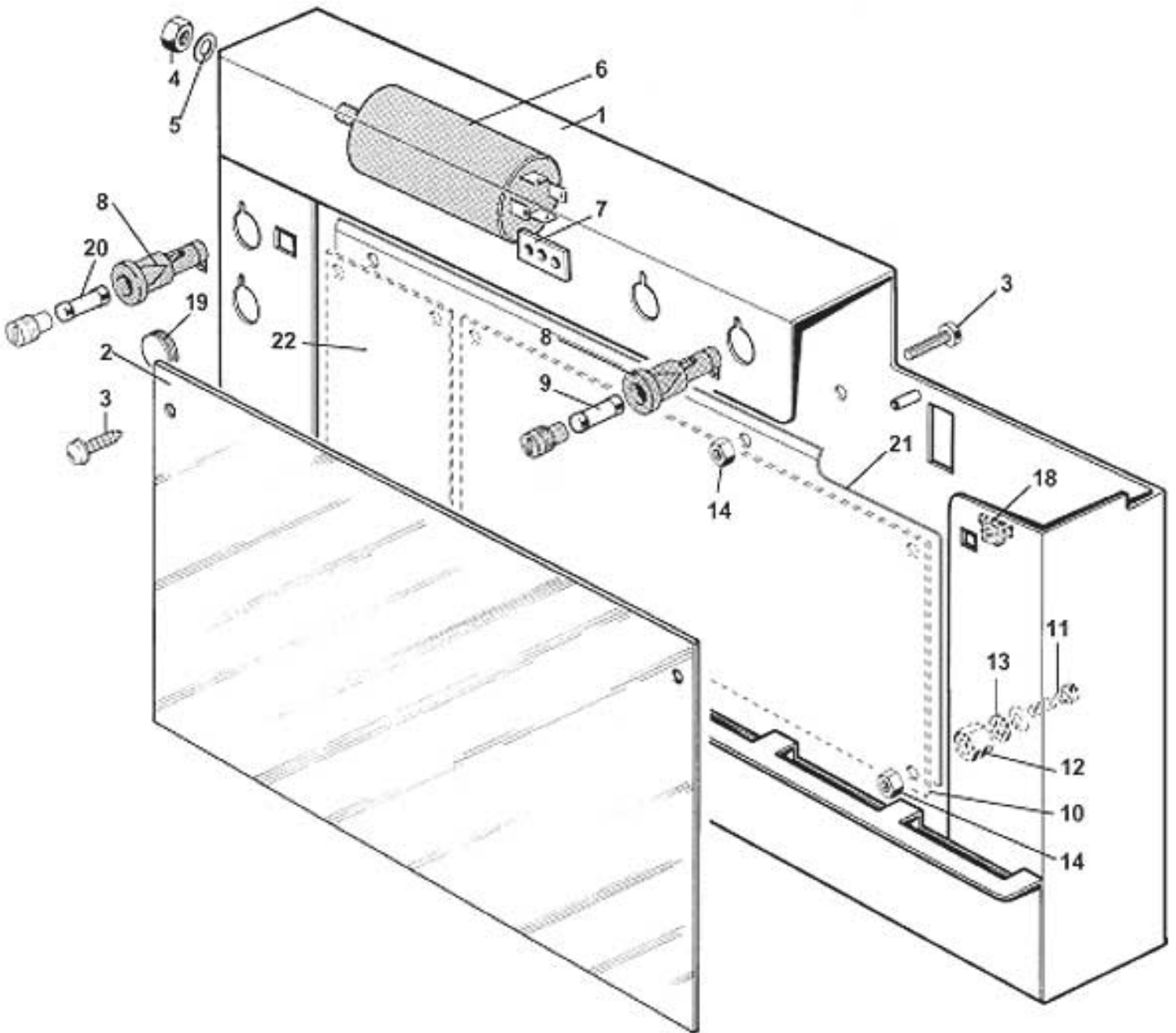


Pos.	Code	Description
1	0800009221	TANK COVER
2/a	0600015213	mm 72 PROBE
2/b	0800008035	mm 135 PROBE
3	VIT0003002	D.3.2x7x0.5 WASHER
4	GUA0000038	2010 OR
5	0800009201	SOLUBLE TANK BODY
5/a	800000010	TANK INTERNAL WALL
6	800000035	COVER SECURING RING
7	GUA0000043	OR 109
8	0800009211	ELBOW WITH RAPID CONNECTION
9	TSIL07/11T	TRANSPARENT SILICONE PIPE D.7 x 11
10	VIT0002002	3.5 x 6.5 TCB SCREW
11	0109002002	WATER FILTER
12	TSIL05/09T	D.5x9 NATURAL TRANSPARENT SILICONE PIPE
13	0110007003	VOLUME COUNTER W/RUBBERHOLDER
14	0100003003	TEE UNION
15	TSIL05/08T	TRANSPARENT SILICONE PIPE D.5 x 8
16	0110001039	24 DC INLET VALVE W/SAFETY DEV.
17	GUA0000021	OR 130
18/a	0810010556	1/4'M GAS VALVE CONNECTION
18/b	0010019223	3/8 GAS M WATER INLET VALVE CONNECTION
19	VIT0004502	M3 NUT
20	0100002002	LOCKING RING D.6
21	0100002005	STRENGTHENING BUSH D.4
22	0100001003	NUT FOR PIPE FITTING D.6-1/4
23	TNAY000001	D.6*4 POLYAMIDE PIPE
24	0100001026	L FITTING D.8-1/4 CAN BE ORIENTED
25	0100002003	LOCKING RING D.8
26	0100001005	NUT FOR D.8-3/8 PIPE FITTING
27	0810010605	WATER COMPONENTS SUPPORT
28	0220001002	PUMP SUPPORT
29	0100001066	STRAIGHT RAPID CONNECTION 1/8M - 4*6
30	VIT0002401	TAPPING SCREW TCB 3.5 x 9.5
31/a	0110004001	ELECTROMAGNETIC PUMP 7 bar
31/b	0110004004	'FB' PUMP
31/c	0110004002R	ELECTROMAGNETIC PUMP 12 bar
32	ELE0060094	PUMP CONNECTOR WITH DIODE
33	ELT0005153	1 N 4007 DIODE
34	2500001139	VALVE RUBBER-HOLDER CONNECTION
35	TSIL06/09T	TRANSPARENT SILICONE PIPE D.6 x 9
40	0800008030CL	SAGOMA RECTANGULAR TANK WITH PROBES

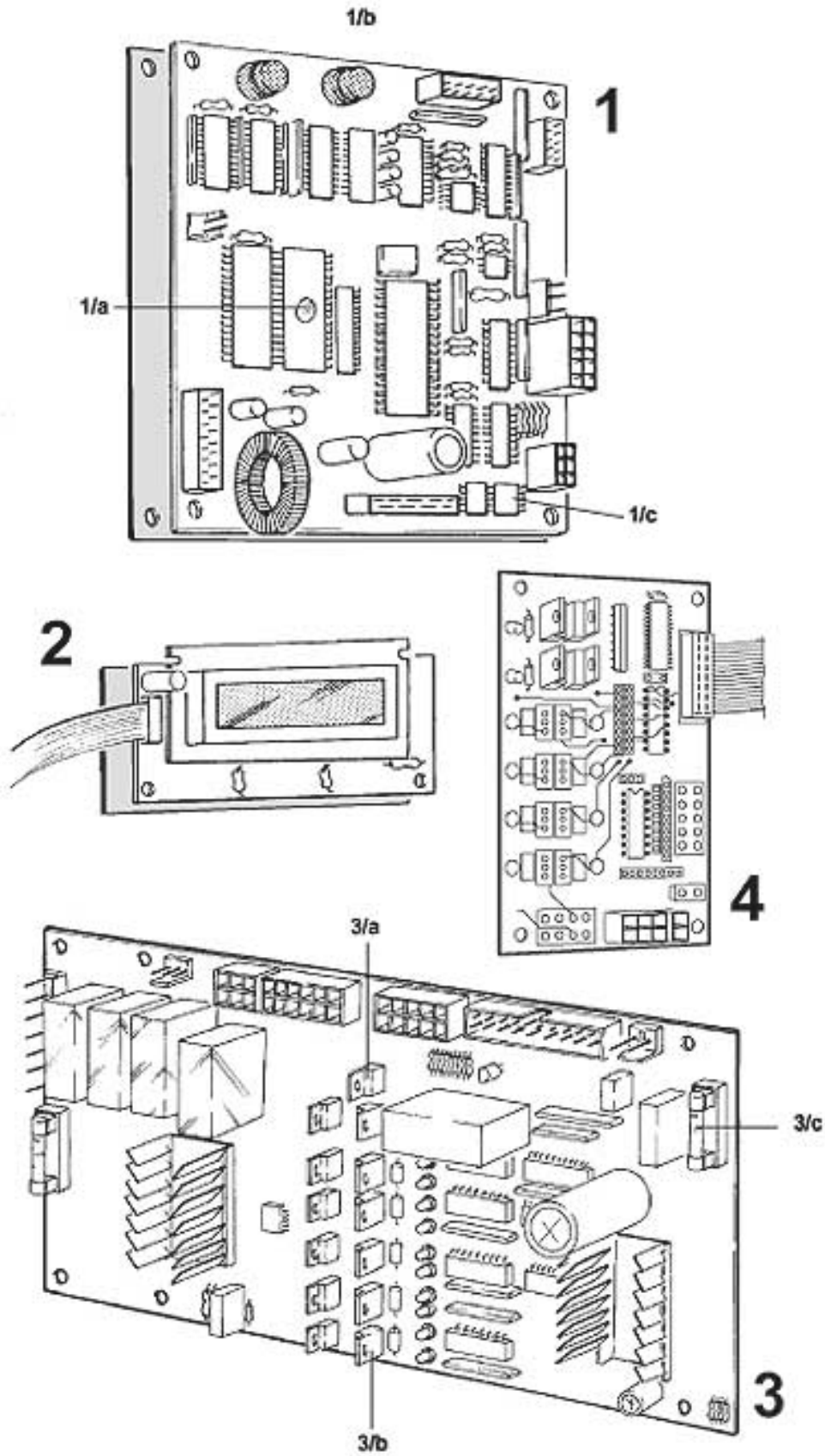
assieme



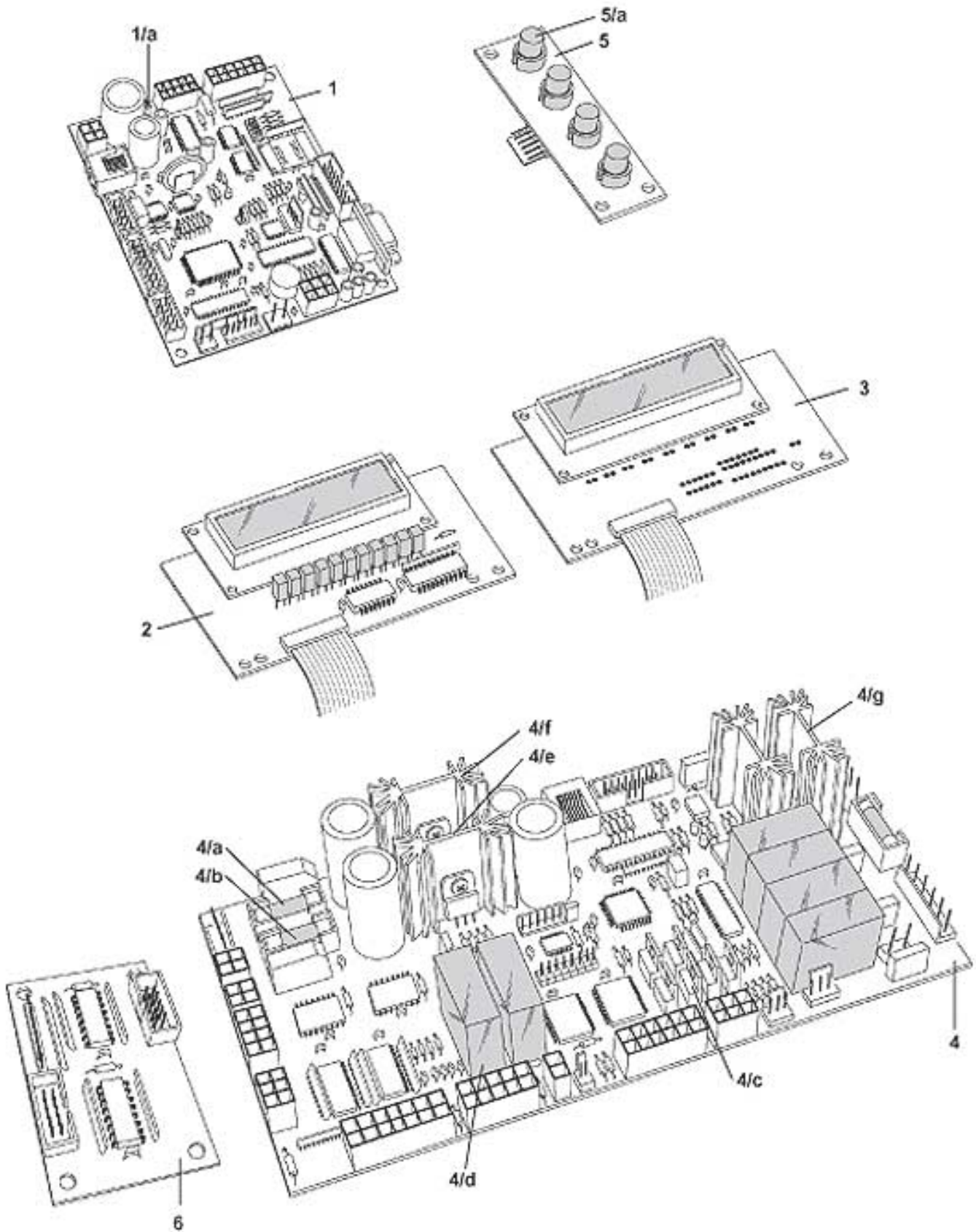
Pos.	Code	Description	
3	0060002031	SWEETENER NUT WITH SPHERIC COVER	
4	0060002032	SWEETENER COVER WHEEL	
5	GUA0000035	OR FOR SWEETENER COVER	
6	0060002033	SWEETENER COVER	
7	0060002034	SWEETENER BRIDGE	
8	0060002035	SWEETENER UPPER FILTER	
9	GUA0000018	125 OR	
10	0060002036	SWEETENER COCK CONNECTION	
11	GUA0000013	117 OR	
12			
13	VIT0001005	SCREW T.C.B. M 4 x 12	
14			
15	0060002037	SWEETENER R 9 GASKET	
16	0060002038	SWEETENER NUT D. 20*1.5	
17	TSIL06/09T	TRANSPARENT SILICONE PIPE D.6 x 9	
18	0060002039	SWEETENER HANDLE	
19	VIT0003301	WASHER D.12 x 4.3 x 1.5	
20			
21	0060002040	SWEETENER LOWER FILTER	
100	0060002001	SWEETENER ASSEMBLY	assieme
101	0060002030	COCK ASSEMBLY	assieme



Pos.	Code	Description
1	0130011508	CONTROL PANEL WITH SUPPORT
2/a	0130011509	CONTROL PANEL COVER W/SUPPORT
2/b	0130011705	CONTROL PANEL SAGOMA H/6
3	VIT0000030	SCREW TCB M4 x 7
4	VIT0004506	M 8 NUT
5	VIT0003106	WASHER tab D. 8
6	ELE0009055	ANTIPARASITIC FILTER
7	ELE0002305	10 A 250 V SOCKET
8	ELE0003507	FUSES HOLDER
9	ELE0003024	SLOW-BLOW CERAMIC TYPE 6.3A FUSES 5 x 20
10	see tab. 11	
11	VIT0000014	M 4x16 TCB SCREW
12	0020018125	BOARD SPACER
13	VIT0003103	WASHER tab D. 4.3
14	VIT0004503	NUT M 4
15		
16		
17		
18	VIT0009109	M 4 NUT IN RETAINER
19	GUA0010503	MEMBRANE CORE HITCH Ø 9
20	ELE0003023	4 A 6.3x32 SLOW-BLOW CERAMIC TYPE FUSE
21	0130011706	POWER BOARD SUPPORT
22	see tab. 18	



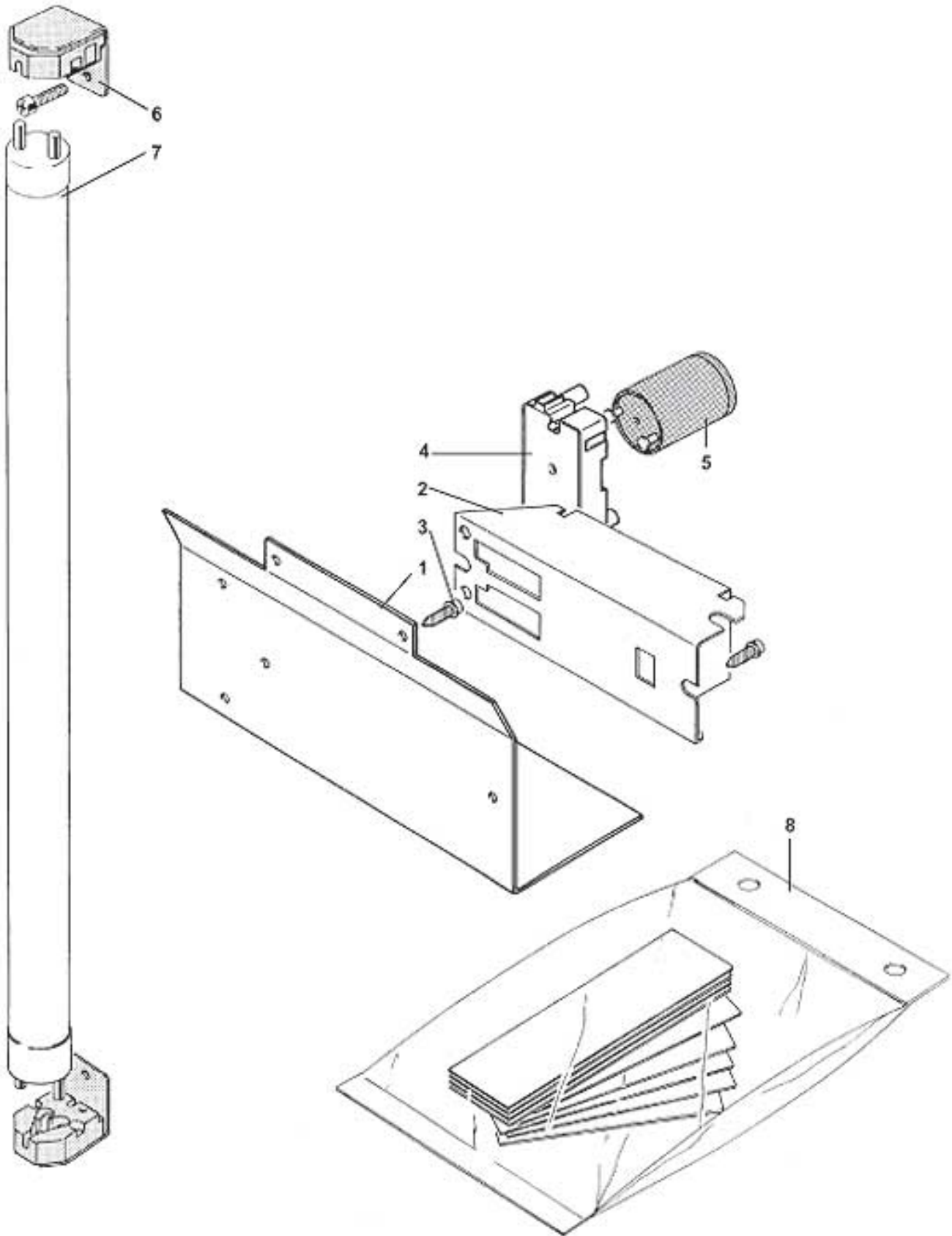
Pos.	Code	Description
1	SCH0002860	DC CPU
1/a	ELT0030059	EPROM 27C512
1/b	ELT0030703	D6 SQUARE KEY
1/c	ELT0030064	EAROM 93C56
1/d	0020022679	CPU BOARD PROTECTION
2	SCH0003020	SAGOMA DISPLAY
2/a	0020034047	DISPLAY INSULATION
3	SCH0003840	SAGOMA DC POWER CONTROL
3/a	ELT0004017	TIP 122 TRANSISTOR
3/b	ELT0004020	TRANSISTOR BDW93C
3/c	ELE0003028	5A SLOW-BLOW GLASS FUSE 5x20
4	SCH0004060	SAGOMA DC EXPANSION POWER





## ECO LUCE - NEW ELECTRONIC CONTROL AND POWER LOGIC

Pos.	Code	Description
1	SCH0004080	CPU DC CARD
1/a	ELT0004026	TRANSISTOR BTS 141
2	SCH0004620	LCD DISPLAY SUGAR QUANTITY
3	SCH0004660	LCD DISPLAY WITHOUT SUGAR QUANTITY
4	SCH0005140	POWER CARD
4/a	ELE0003025	2A RAPID GLASS FUSE 5x20
4/b	ELE0003028	5A SLOW-BLOW GLASS FUSE 5x20
4/c	ELT0004025	TRANSISTOR BTS 133
4/d	ELT0007151	1-WAY 24V D.C. 10A RELAY
4/e	ELT0004026	TRANSISTOR BTS 141
4/f	ELT0030301	INTEGRATED CIRCUIT 7805
4/g	ELT0004209	TRIAC TRIAC 16 A
5	SCH0003980	PROG./WASHING KEYBOARD
5/a	ELT0030704	D6 ROUND KEY
6	SCH0004200	KEYBOARD EXPANSION



Pos.	Code	Description	
1/a	0020034031	ELECTRIC COMPONENTS SUPPORT	
1/b	0020034157	ELECTRIC COMPONENTS SUPPORT	
2	ELE0009116	220 V BALLAST	
3	VIT0002401	TAPPING SCREW TCB 3.5 x 9.5	
4	ELE0009108	L 8 W 20 LAMP	
5	ELE0009109	STARTER	
6	ELE0009107	BIPLUG G 13 LAMP HOLDER	
7	ELE0009018	L 8 W 20 LAMP	
8	non disponibile		
100	KIT0020034002	SAGOMA LIGHTING KIT	assieme