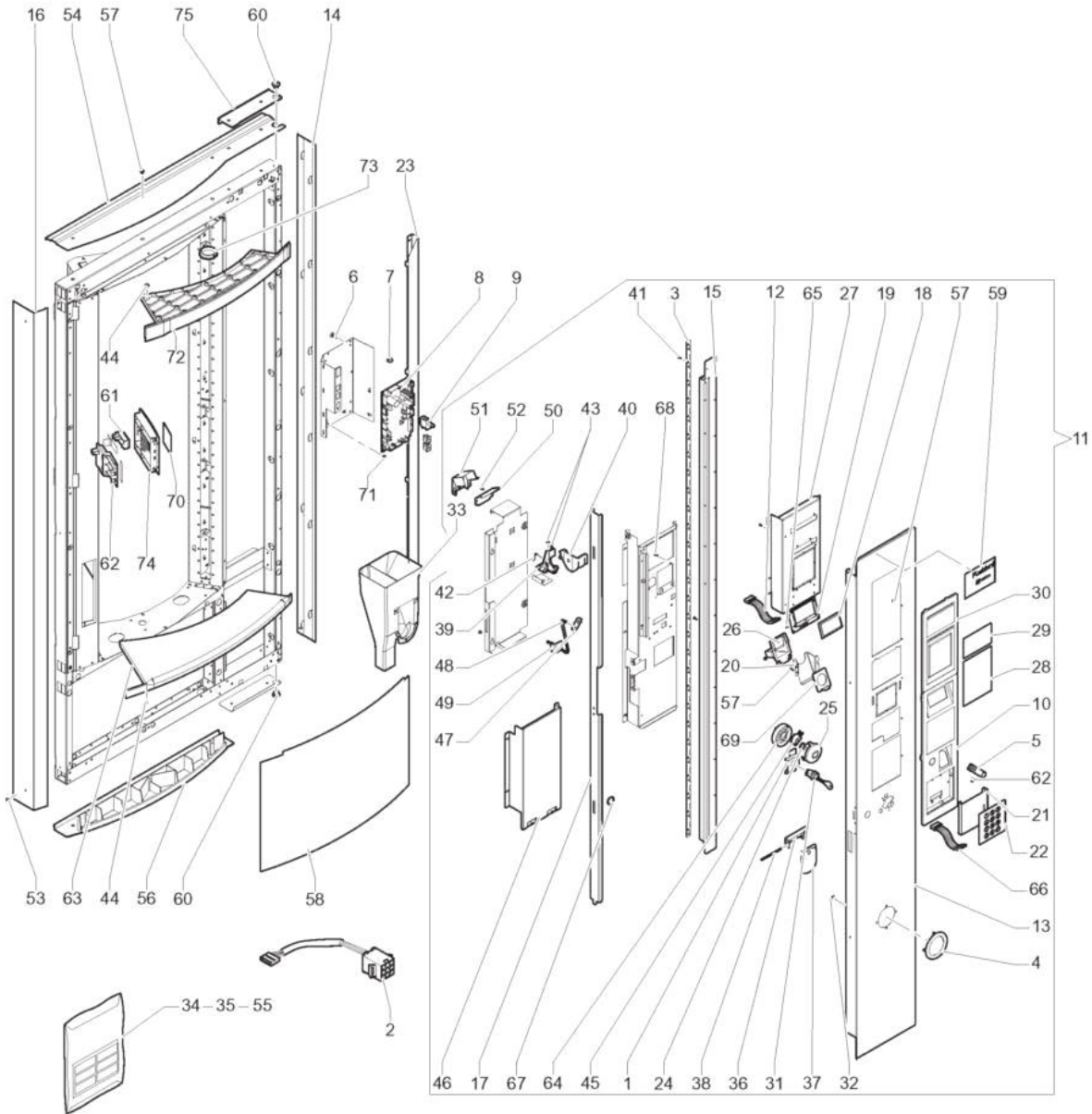




- 1 Door - External side
- 2 Door - Internal side
- 3 Cabinet assy
- 4 Electric panel
- 5 Plates
- 6 Plates lock device
- 7 Product locking unit
- 8 Cooling unit



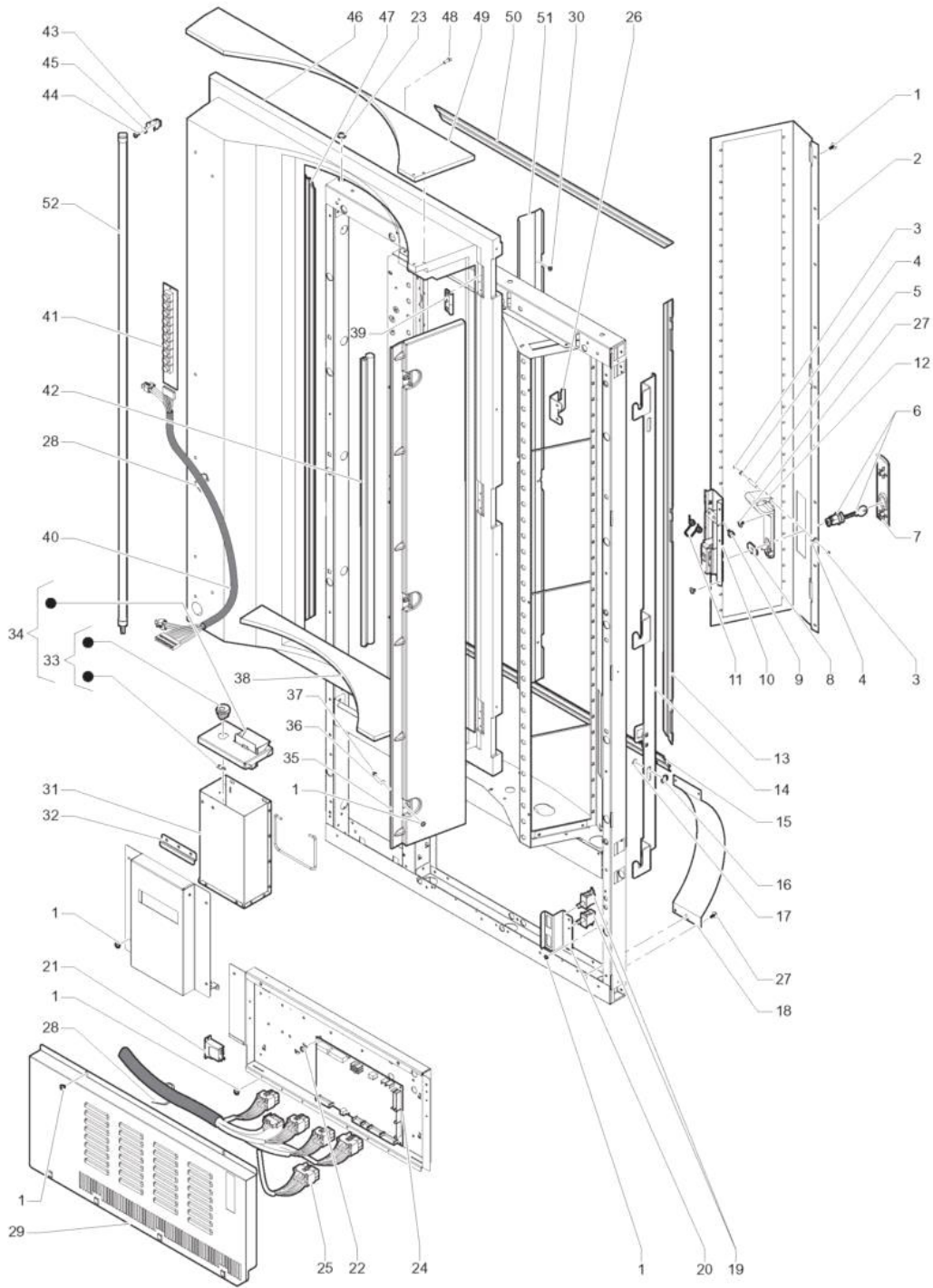


Door - External side

posLbl	Item	Description	Price (Eur)
0001	256101	LOCK REINFORCEMENT	0.00
0002	253921	BDV COIN MECHANISM WIRING	24.00
0003	0V3176	DOOR HINGE	36.60
0004	0V2988	COIN RETURN MOLDING (BLACK)	7.44
0005	0V4264	BLACK MONEY RETURN BUTTON	1.81
0006	097175	CARD SPACER	0.22
0007	0V3165	BUSHING	2.34
0008	253924	CPU BOARD	230.40
0009	987575	DOOR CONTACT SWITCH	14.40
0010	256403	SUPPORT DISPLAY	36.00
0011	258053	USER INTERFACE ASSY.	720.00
0012	256959	WIRING DISPLAY	39.00
0013	258011	INTERFACE PANEL	50.40
0014	0V3107	DOOR RIGHT SIDE PROFILE	54.00
0015	258009	LEFT REINFORCEMENT UNIT	18.72
0016	258005	DOOR LEFT PROFILE	41.40
0017	258037	CLOSING ROD	19.44
0018	255679	DISPLAY GLASS	7.20
0019	255688	GRAPHIC DISPLAY	66.00
0020	256401	CLIP COIN SLOT	18.00
0021	258007	KEY PAD SUPPORT	5.28
0022	250009	PUSH-BUTTON PANEL -BLACK/SILVER	45.00
0023	258010	RIGHT PANEL	27.00
0024	0V3127	BUTTON RETURN SPRING	0.76
0025	0V3808	SHOPPER PUSH BUTTON -GREY-	7.08
0026	256402	CHUTE COIN SLOT	5.52
0027	258035	BANKNOTE SUPPORT BRACKET	30.60
0028	255681	BANK NOTE READER PLATE HOLDER	5.64
0029	257267	PLATE HOLDER BANK NOTES	6.60
0030	255678	TOP TILE	13.68
0031	099905	LOCK RIELDA-MOD.503-	34.20
0032	093829	LEVER LOCK CLIP	0.14
0033	0V4122	COIN CASHING/RETURN CHUTE	25.20
0034	258043	PRICE PLATE	22.32
0035	254035	DOOR MONEY PLATE	11.04
0036	097455	MONEY RETURN SHUTTER BRACKET	1.18
0037	093890	MONEY RETURN SHUTTER	1.30
0038	093891	SHUTTER PIVOT	0.30
0039	0V3704	COIN RETURN LEVER	3.06
0040	0V3706	LEVER SUPPORT	3.24
0041	255027	SELF-TAPPING SCREW 3,9X6,5	0.04
0042	987839	RETURN SPRING	1.01
0043	255027	SELF-TAPPING SCREW 3,9X6,5	0.04
0044	255033	SELF-TAPPING SCREW 4X10	0.06



posLbl	Item	Description	Price (Eur)
0045	092439	MICRO TYPE 'CHERRY'	2.40
0046	258006	CHANGE SUPPORT	12.72
0047	250487	LATCH BOLT	1.60
0048	255669	CLOSURE PIN	13.44
0049	255667	BRACKET	1.10
0050	258039	BOTTOM COIN CHUTE	11.52
0051	258032	TOP COIN CHUTE	18.00
0052	255027	SELF-TAPPING SCREW 3,9X6,5	0.04
0053	257121	SELF-TAPPING SCREW3.9X13	0.04
0054	258041	TOP HEAD	22.68
0055	258044	SELECTION PLATE	20.52
0056	258042	BOTTOM HEAD	22.68
0057	255034	PLAIN TIP SELF-TAPPING SCREW 4X12	0.06
0058	258040	BOTTOM PLATE	37.80
0059	257097	NAME PLATE LOGO -FESTIVAL-	46.80
0060	0V2044	DOOR BUSH	3.54
0061	257876	GLASS PRICE PLATE	4.80
0062	255029	SCREW M4X10	0.04
0063	0V4126	LOWER COVER	23.40
0064	0V4131	SHOPPER PUSH BUTTON SUPPORT	7.32
0065	987628	EJOT-PT-SCREW 30X8	0.06
0066	258047	KEY WIRING	122.40
0067	253444	BUSH	2.40
0068	255034	PLAIN TIP SELF-TAPPING SCREW 4X12	0.06
0069	256010	COIN INSERT LEVER	10.32
0070	0V3080	PRODUCT LABEL GLASS	1.96
0071	255029	SCREW M4X10	0.04
0072	0V4125	UPPER COVER	24.00
0073	0V3166	BUSHING	3.12
0074	0V4128	PRICE MOLDING H=90	4.80
0075	256950	EXTENSION TOP HEAD	7.20



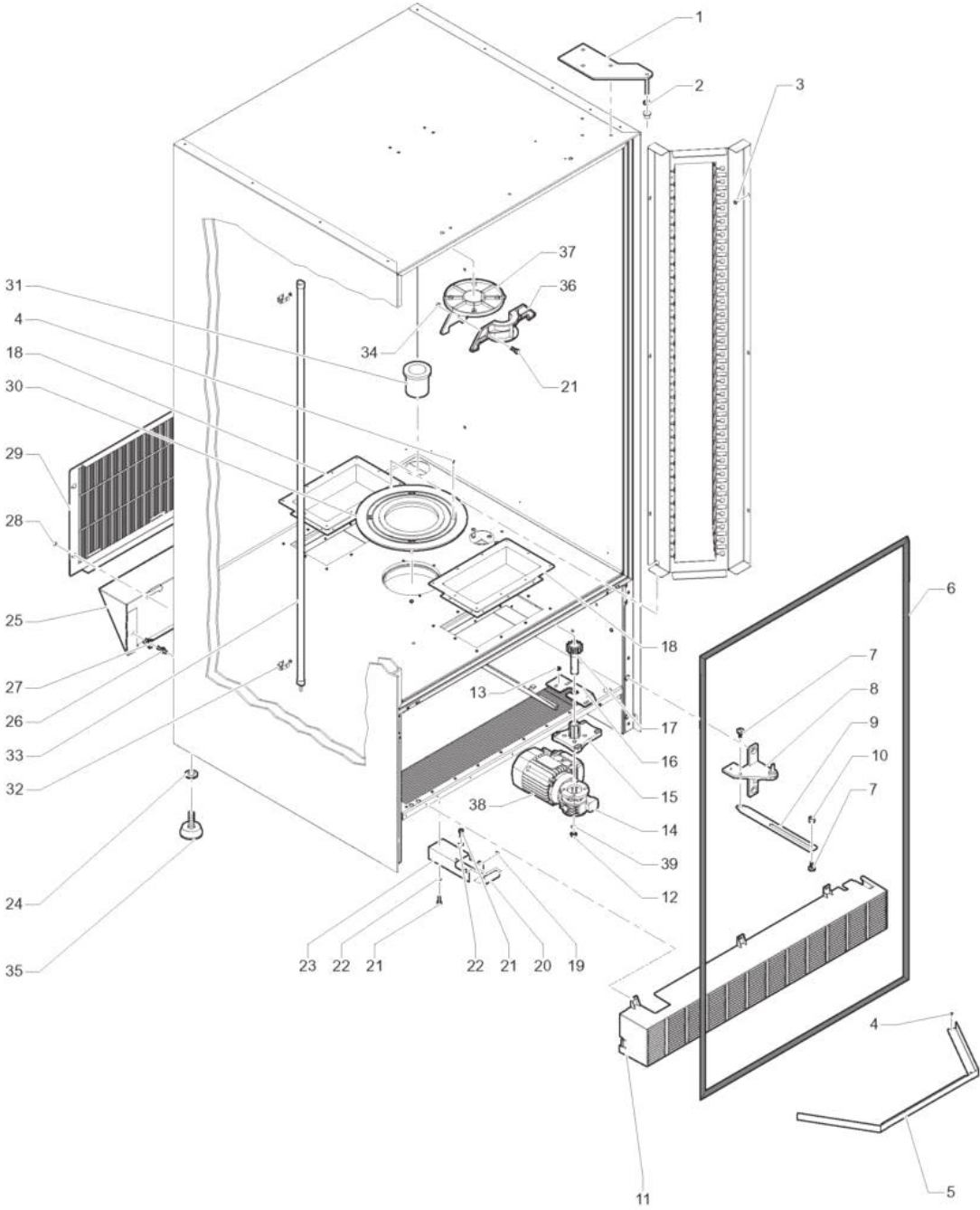


posLbl	Item	Description	Price (Eur)
0001	255028	SELF-TAPPING SCREW 3,9X9,5	0.05
0002	0V3395	DISPLAY MOLDING PANEL -BLACK-	34.20
0003	255138	D. 5MM ELASTIC RING	0.04
0004	093470	FLAT WASHER MM 6,4	0.04
0005	093907	ROTATION PIVOT	0.64
0006	099905	LOCK RIELDA-MOD.503-	34.20
0007	0V4127	HANDLE COVERING -BLACK -	13.44
0008	0V2344	LOCK-BOLT	2.14
0009	092738	WEDGE BUMPER	0.86
0010	0V3192	CLOSING SUPPORT	39.00
0011	097329	OPENING HANDLE SPRING	1.63
0012	0V2345	DOOR LOCK HANDLE	22.32
0013	256988	PROFILE LH UPRIGHT	23.40
0014	0V3193	DOOR CLOSING ROD	56.40
0015	256989	PROFILE BOTTOM	13.44
0016	0V3143	LOCK ROD SPACER	2.64
0017	0V3138	DOOR STOP ROD WASHER	2.94
0018	0V3072	CARD SHOCK-PREVENTING BAND	24.60
0019	987575	DOOR CONTACT SWITCH	14.40
0020	0V3807	DOOR SWITCH SUPPORT	10.80
0021	255715	RELAY24VDC	12.96
0022	097175	CARD SPACER	0.22
0023	0V3166	BUSHING	3.12
0024	256963	BOARD ACTUATION	276.00
0025	258046	GENERAL WIRING	154.80
0026	258038	CLOSING ROD HOOK	0.00
0027	255029	SCREW M4X10	0.04
0028	090148	CLIP	0.05
0029	258008	CARD COVER	0.00
0030	255027	SELF-TAPPING SCREW 3,9X6,5	0.04
0031	0V3188	COIN BOX	39.00
0032	0V3205	COIN BOX SQUARE	0.00
0033	094030	OUTER CAP	0.20
0034	0V3177	CASHBOX COVER	37.80
0035	0V3103	DOOR FRAME PANEL	169.20
0036	093999	COVERING FASTENING SCREW WASHER	0.06
0037	255140	M4 HEXAGONAL INSERT	0.12
0038	257696	BOTTOM INSULATION DOOR SUPPORT	6.00
0039	0V3286	LEFT HINGE	12.72
0040	258049	LED AND KEYPAD WIRING	45.00
0041	258050	INTERNAL KEYPAD	57.60
0042	0V3481	SEAL (BY METRE)	6.00
0043	258051	FASTENING CLIP	0.00
0044	255528	SCREWM4X6	0.04



Door - Internal side

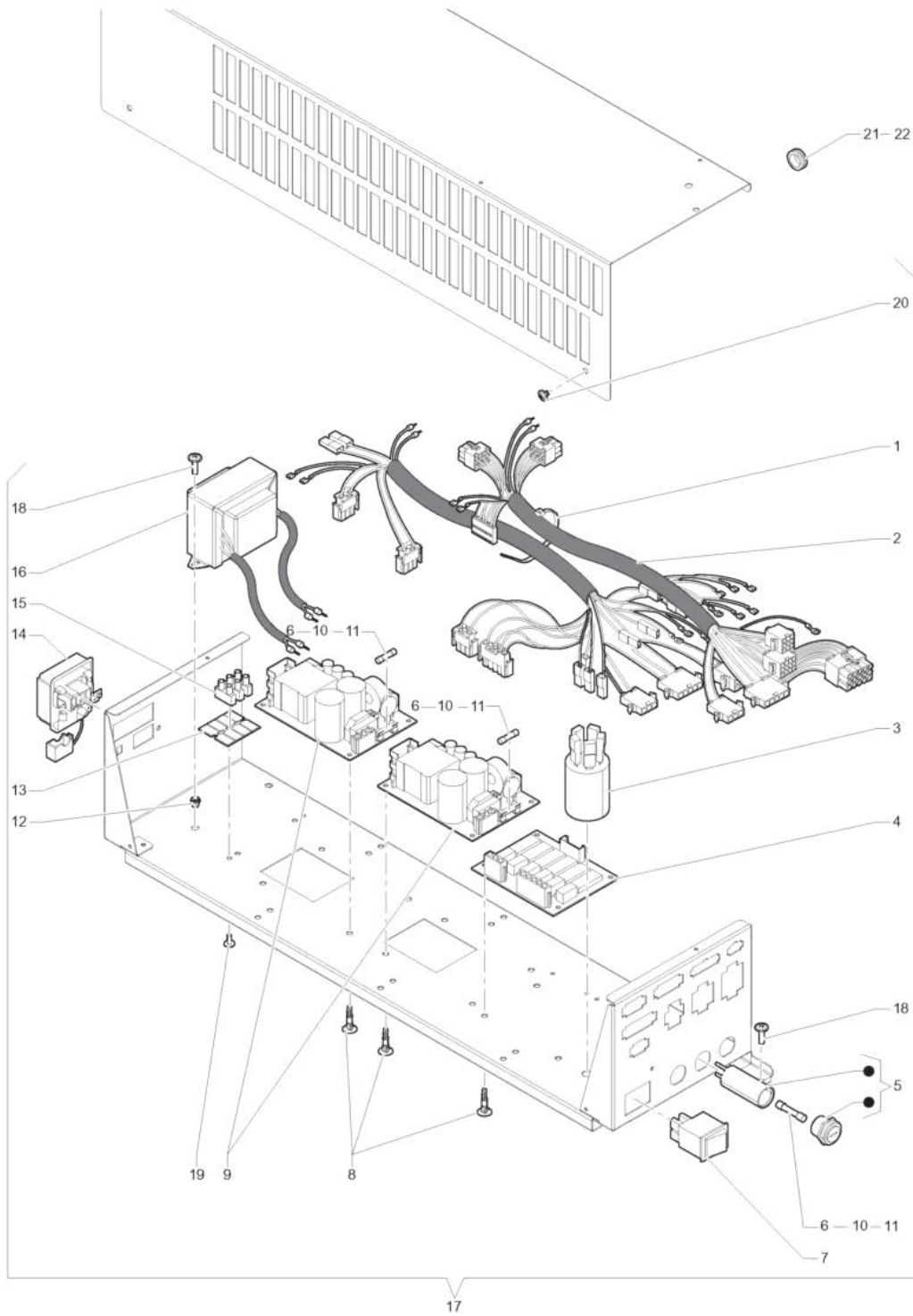
posLbl	Item	Description	Price (Eur)
0045	255552	WASHER 4.3X9	0.04
0046	0V3102	DOOR FRAME	576.00
0047	256987	PROFILE RH UPRIGHT	12.48
0048	255937	SCREW M4X14	0.05
0049	257695	TOP INSULATION DOOR SUPPORT	9.36
0050	256990	PROFILE TOP	9.24
0051	0V3390	PUSH-BUTTONS SHIELD	12.72
0052	258052	24 V LED PIPE	103.20





Cabinet assy

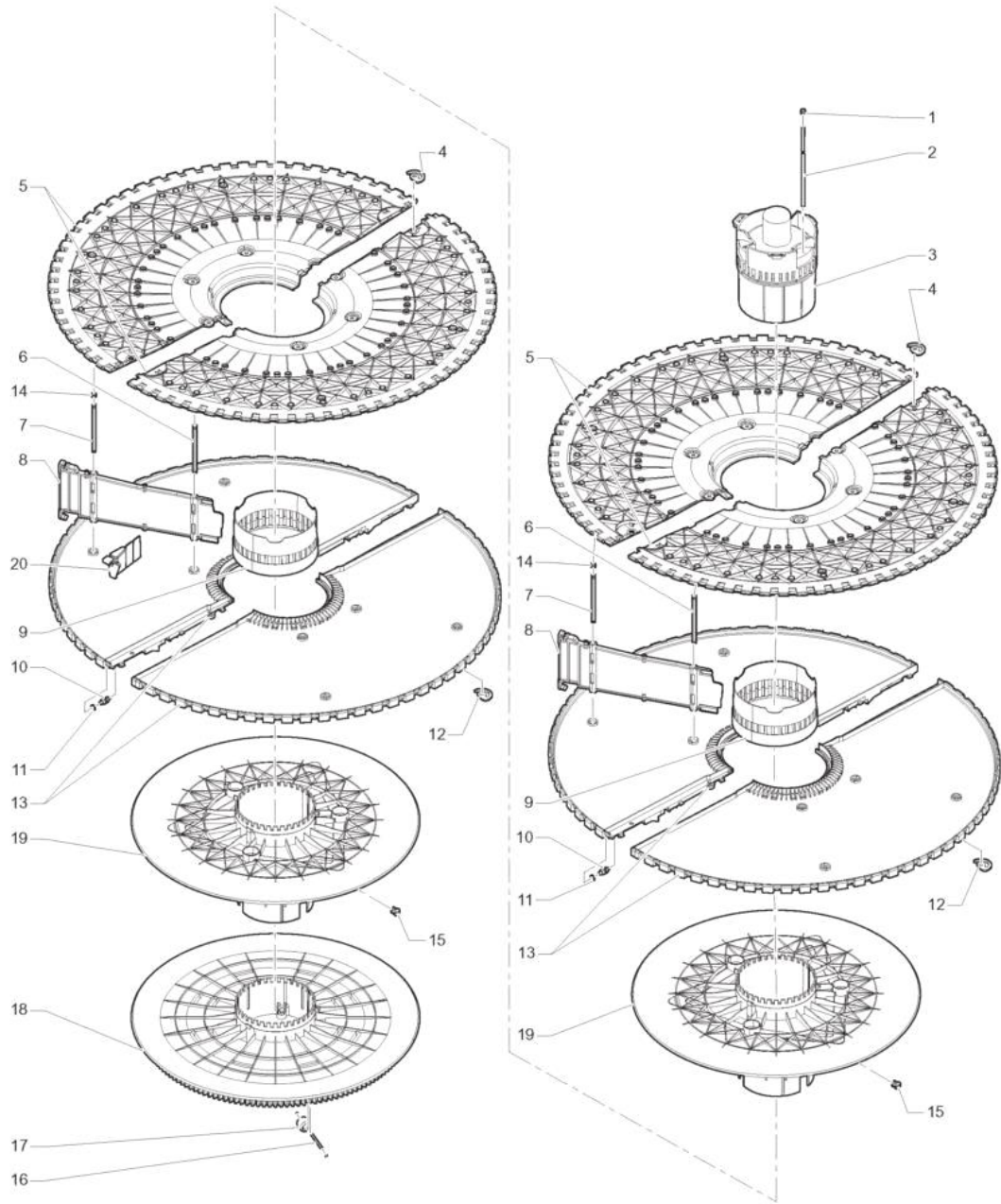
posLbl	Item	Description	Price (Eur)
0001	0V3194	UPPER HINGE	16.56
0002	092943	FLAT WASHER	0.10
0003	255937	SCREW M4X14	0.05
0004	255029	SCREW M4X10	0.04
0005	258036	PINION COVER	0.00
0006	256943	GASKET DOOR	46.80
0007	0V3137	DOOR STOP ROD PIN	2.76
0008	0V3174	LOWER HINGE	36.60
0009	0V3136	DOOR STOP ROD	11.28
0010	0V3135	DOOR STOP ROD BUSH	3.00
0011	256972	ASSE,BLY FOOT COVER	132.00
0012	255044	NUT M5	0.05
0013	093470	FLAT WASHER MM 6,4	0.04
0014	0V3173	REDUCTION GEARMOTOR	708.00
0015	0V3056	MOTOR ADJUSTING FLANGE	15.12
0016	257384	SHAFT SUPPORT FLANGE	18.00
0017	0V3044	DRUM DISK ROTATION PINION	56.40
0018	0V3059	AIR INLET DUCT	19.08
0019	093198	CIRCULAR JUNK RING .	0.12
0020	0V0601	ROLLER	0.44
0021	096682	SCREW 6X18	0.08
0022	093470	FLAT WASHER MM 6,4	0.04
0023	0V3175	DOOR ROLLER SUPPORT	32.40
0024	256785	WASHER PNAL 14X24	0.00
0025	0V3110	SPACER PREVENTING AIR RECIRCULATION	51.60
0026	094159	FIXING PLUG	1.22
0027	094073	LOCK SPRING GRINDER AND COFFEE GROU	0.41
0028	255029	SCREW M4X10	0.04
0029	0V3179	REAR COVER	62.40
0030	256944	CENTRE BUSHING	21.96
0031	0V3041	CORE HITCH PLUG	15.48
0032	258051	FASTENING CLIP	0.00
0033	258052	24 V LED PIPE	103.20
0034	255042	NUT M6	0.05
0035	252124	4 FEET KIT	5.76
0036	0V3045	FRONT CENTERING COLLAR	9.84
0037	0V3046	REAR CENTERING COLLAR	11.28
0038	0V3213	MOTOR VNT 18-30	84.00
0039	255552	WASHER 4.3X9	0.04





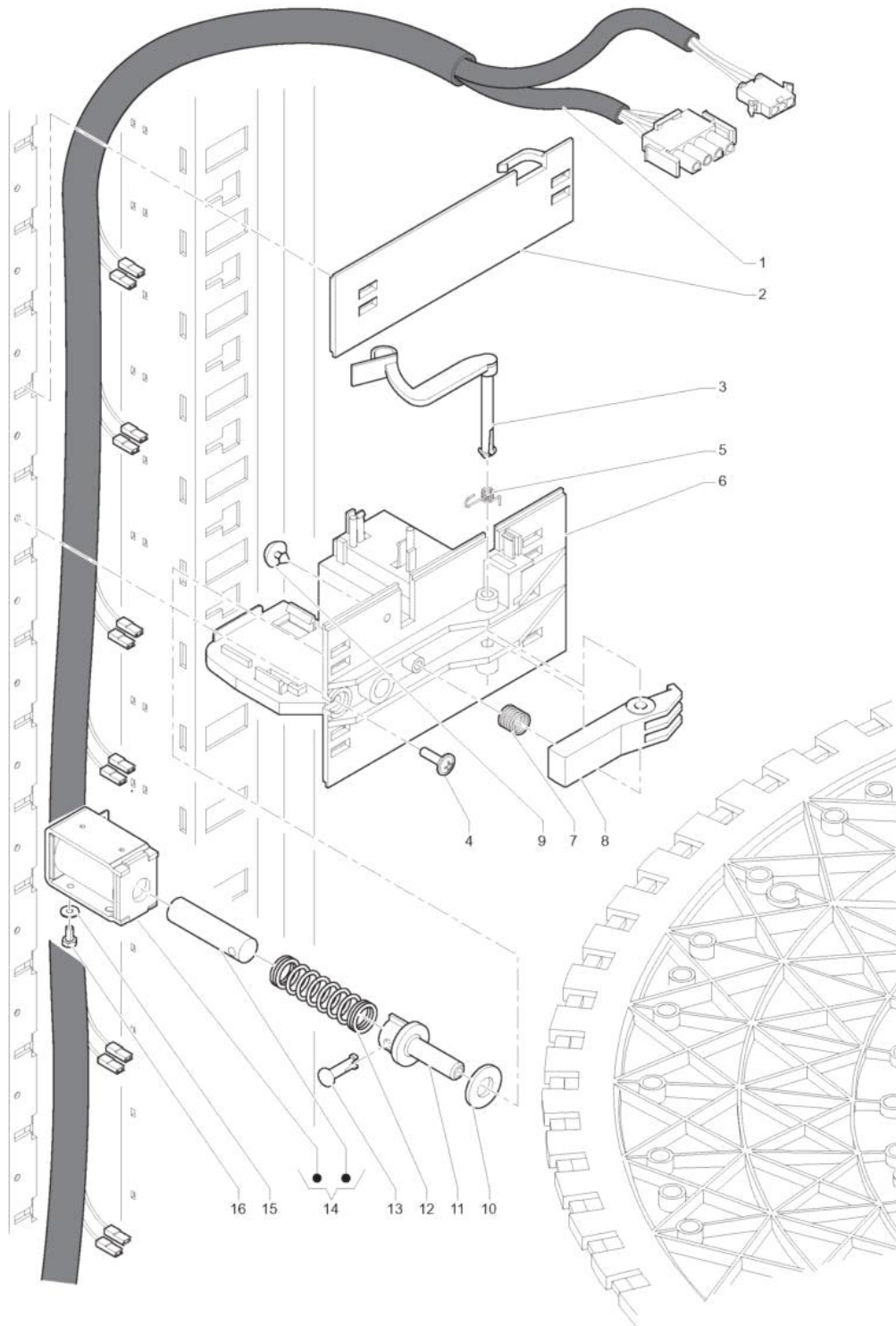
Electric panel

posLbl	Item	Description	Price (Eur)
0001	090148	CLIP	0.05
0002	256978	WIRING ELECTRIC PANEL	154.80
0003	0V3512	ELECTRICAL NET FILTER	16.92
0004	0V3202	OUT/R CARD, 6 RELAYS	85.20
0005	254852	FUSE HOLDER	23.40
0006	256983	FUSE 6.3X32 T200MA	2.10
0007	0V3200	DOUBLE-POLE SWITCH	3.42
0008	252237	SPACER	0.68
0009	256350	BOARD POWER SWITCHING 250VA	115.20
0010	0V0795	6.3X32 T15A FUSE	0.00
0011	0V1765	FUSE 2 AMP	1.08
0012	255140	M4 HEXAGONAL INSERT	0.12
0013	097242	SUB-TERMINAL BOARD	1.56
0014	098796	TERMINAL BOARD	3.72
0015	986053	TERMINAL BOARD	0.77
0016	095708	TRANSFORMER 220/24/28V 50W	37.80
0017	256954	ELECTRIC PANEL	912.00
0018	255029	SCREW M4X10	0.04
0019	255725	SELF-TAPPING SCREW 3.9X13	0.04
0020	255027	SELF-TAPPING SCREW 3,9X6,5	0.04
0021	090020	WHIPPING MM 16	0.78
0022	093916	WHIPPING OVAL	0.34



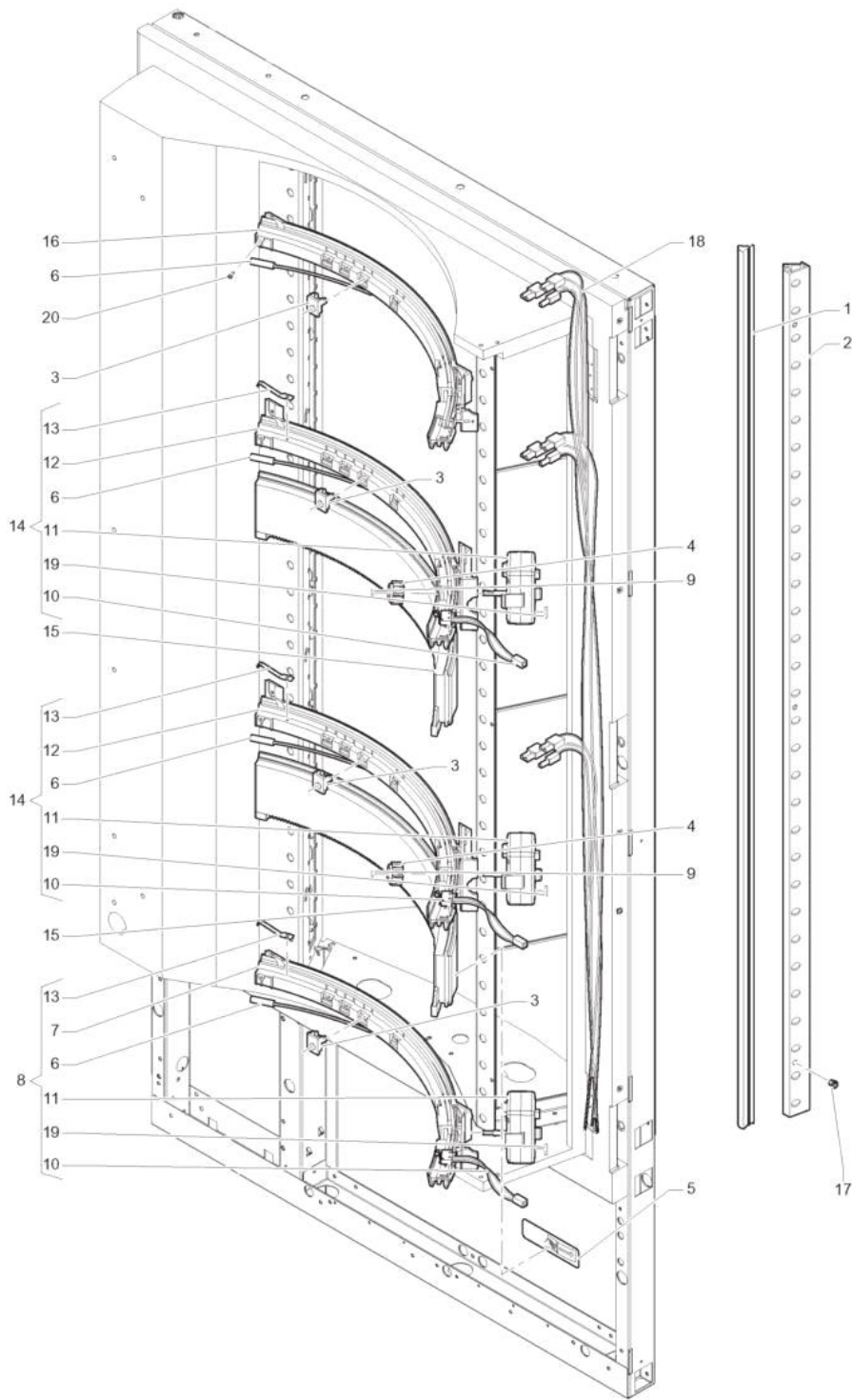


posLbl	Item	Description	Price (Eur)
0001	986614	NUT FLANGED	0.12
0002	0V3142	COLUMN TIEROD	13.44
0003	0V3048	DRUM DISK PLUG H=90	37.20
0004	101180	CLASP UPPER	1.20
0005	0V3095	UPPER DRUM HALF DISK DIAM. 700	39.60
0006	0V3145	INNER TIEROD H=90	0.90
0007	0V3146	OUTER TIEROD H=90	0.94
0008	0V3061	SEPARATOR H=90	4.68
0009	0V3054	AIR LOCK FOR DRUM DISK H=90	6.12
0010	0V3063	SLIDING ROLL	0.62
0011	0V0775	O-RING 106	0.07
0012	101181	CLASP LOWER	1.20
0013	0V3096	LOWER DRUM HALF DISK DIAM. 700	39.00
0014	255044	NUT M5	0.05
0015	0V3065	AIR LOCK REGULATOR	0.96
0016	0V3144	WHEEL PIN	1.99
0017	0V3064	WHEEL	2.21
0018	0V3052	DRUM HALF DISK BUSH AND CONTROL	66.00
0019	0V3050	DRUM HALF DISK SUPPORTING BUSH H=90	81.60
0020	250249	24 BOUND PIECES	39.60





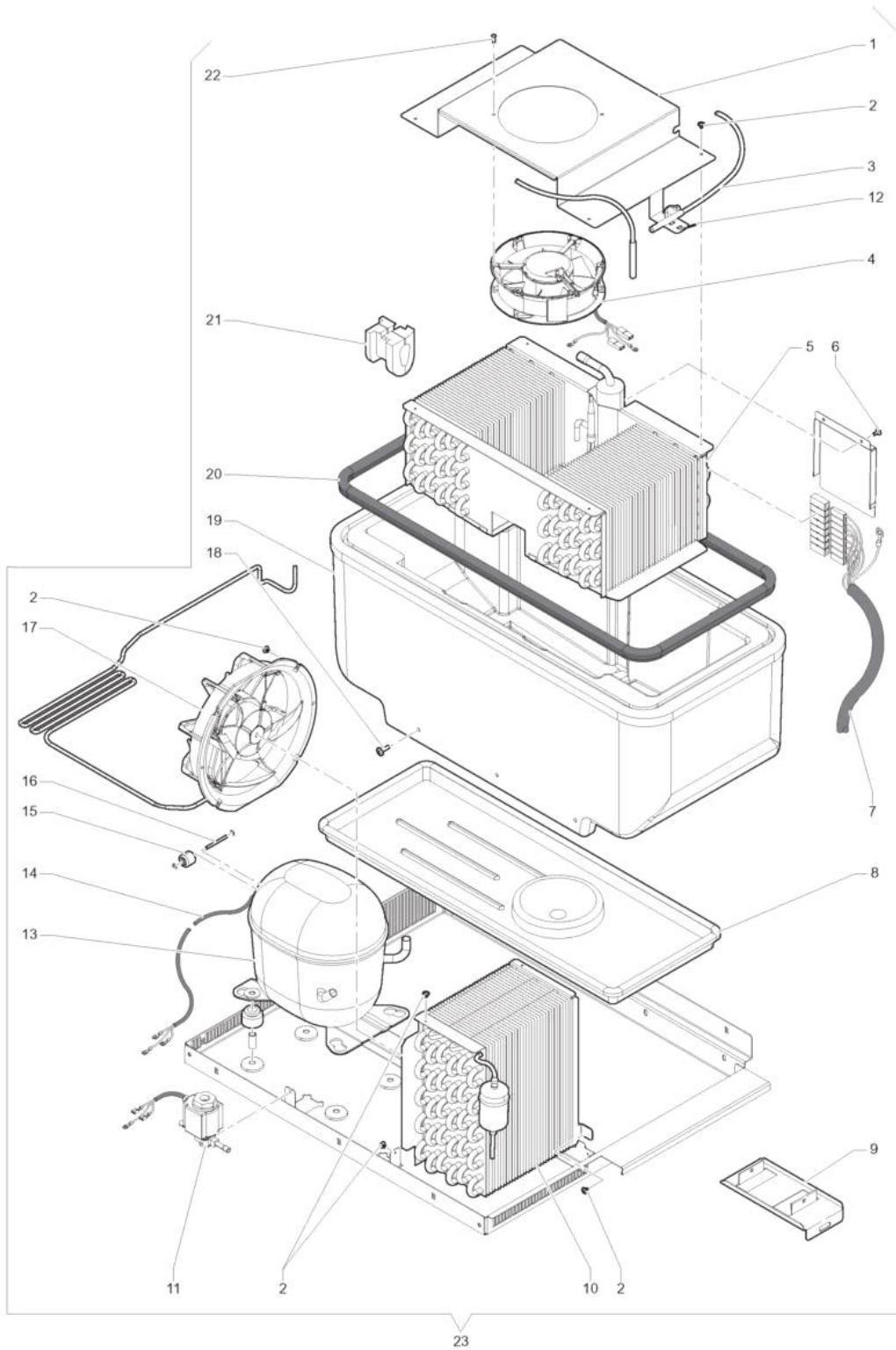
posLbl	Item	Description	Price (Eur)
0001	258048	DISK AND LED WIRING	75.60
0002	0V3067	MAGNET COMPARTMENT PLUG	1.88
0003	0V3069	SEPARATOR COUNTER LEVER	1.60
0004	255028	SELF-TAPPING SCREW 3,9X9,5	0.05
0005	0V3141	COUNTER LEVER SPRING	1.49
0006	0V3066	MAGNET SUPPORT	6.24
0007	0V3139	LEVER RETURN SPRING	0.38
0008	0V3068	ANTI-REVOLUTION LEVER	2.14
0009	987703	SOCKET PEDESTAL	0.22
0010	0V3038	RUBBER PIECE	0.34
0011	0V3070	MAGNET CORE PIN	1.54
0012	0V3140	MAGNET CORE LEVER	0.60
0013	0V3071	CORE FIXING PIN	0.88
0014	251213	SOLENOID 24V DC	45.60
0015	255552	WASHER 4.3X9	0.04
0016	255492	SCREW M4X8	0.06





Product locking unit

posLbl	Item	Description	Price (Eur)
0001	0V3148	BRUSH-TYPE GASKET	12.48
0002	0V3094	GASKET SUPPORT PROFILE	21.96
0003	0V3093	SLIDER STOP BLOCK	1.81
0004	0V3043	SLIDER DRIVE PINION	1.74
0005	0V3153	SLIDER ADHESIVE LABEL	13.20
0006	0V3154	ANTI-CONDENSATE HEATING ELEMENT	7.80
0007	0V3092	LOWER SLIDER GUIDE	25.80
0008	0V3183	LOWER GUIDE ASSY	112.80
0009	250017	OUTER FIXING COLLAR D.MM 6	0.06
0010	0V3163	SLIDER MICROSWITCH WIRING	13.44
0011	259014	DOOR MOVEMENT MOTOR GEAR	43.20
0012	0V3090	INTERMEDIATE SLIDER GUIDE	25.20
0013	0V4109	SLIDER SPRING	0.76
0014	0V3181	MIDDLE GUIDE ASSY	124.80
0015	0V3098	PRODUCT SLIDER H=90	55.20
0016	256945	TOP DOOR GUIDE	30.60
0017	255140	M4 HEXAGONAL INSERT	0.12
0018	256957	WIRING DOORS	154.80
0019	255552	WASHER 4.3X9	0.04
0020	987707	EJOT-PT-SCREW3X14	0.05





Cooling unit

posLbl	Item	Description	Price (Eur)
0001	0V3206	FAN COVER	0.00
0002	255027	SELF-TAPPING SCREW 3,9X6,5	0.04
0003	254812	WIRING WITH PROBES	43.80
0004	0V3212	AXIAL FAN	92.40
0005	0V3216	EVAPORATOR	390.00
0006	255029	SCREW M4X10	0.04
0007	0V3210	REFRIGERATOR WIRING	55.20
0008	0V3037	CONDENSATE COLLECTION TRAY	40.80
0009	0V3118	UNIT HOLDING SQUARE	16.92
0010	0V3215	CAPACITOR + FILTER	172.80
0011	0V3214	HOT GAS ELECTROVALVE	48.00
0012	090148	CLIP	0.05
0013	252597	COMPRESSOR GX18TB	318.00
0014	0V3211	COMPRESSOR WIRING	25.20
0015	0V3064	WHEEL	2.21
0016	0V3144	WHEEL PIN	1.99
0017	987985	230-340 FAN	20.52
0018	255937	SCREW M4X14	0.05
0019	0V3101	EVAPORATOR CONTAINER	37.80
0020	0V3039	EVAPORATOR CONTAINER GASKET	37.80
0021	0V3040	PIPE THROUGH	18.72
0022	298196	SPEC. SCREW M4X12	0.46
0023	0V3196	COOLING UNIT	1,590.00