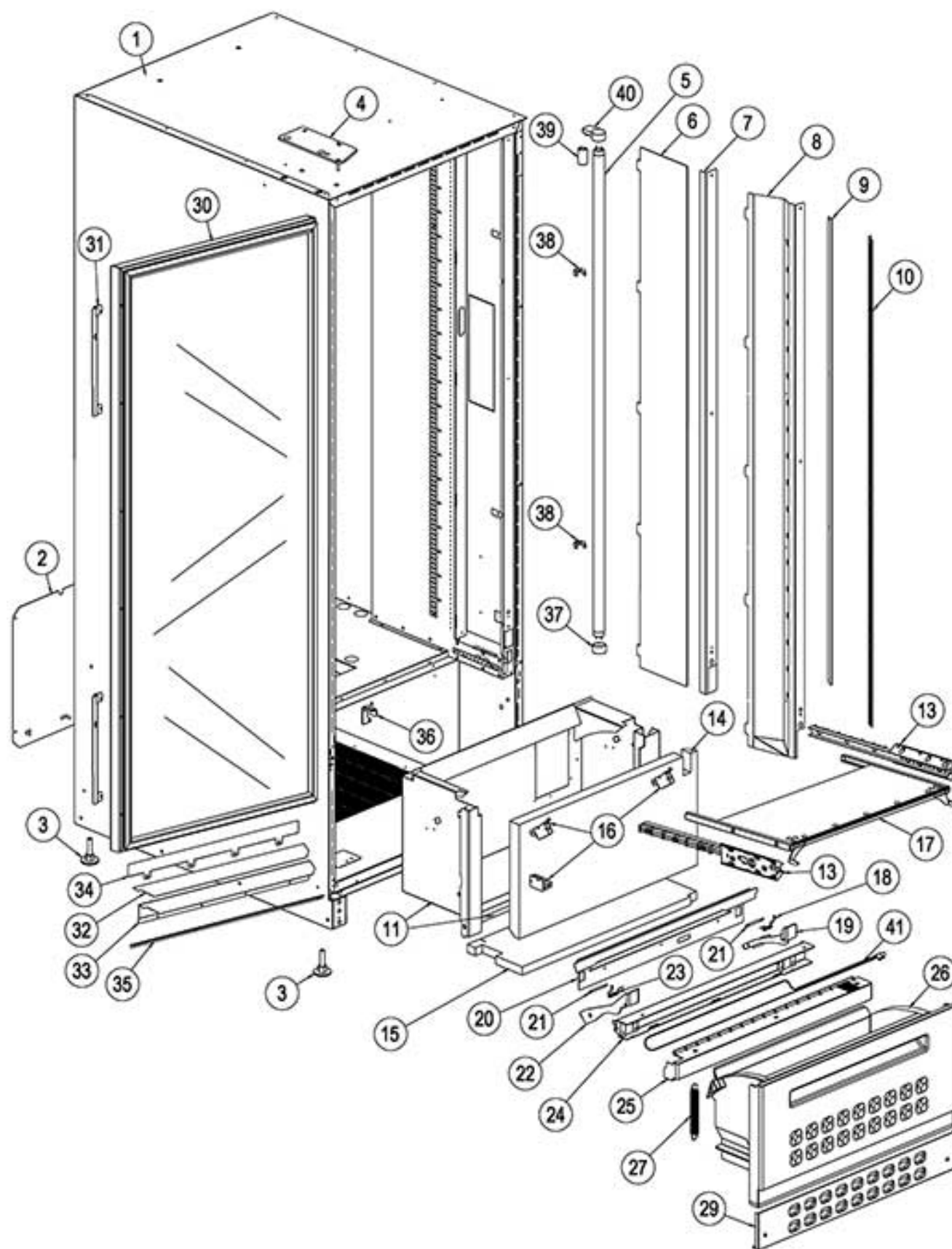


# [SNACK EUROPA]



spare parts manual

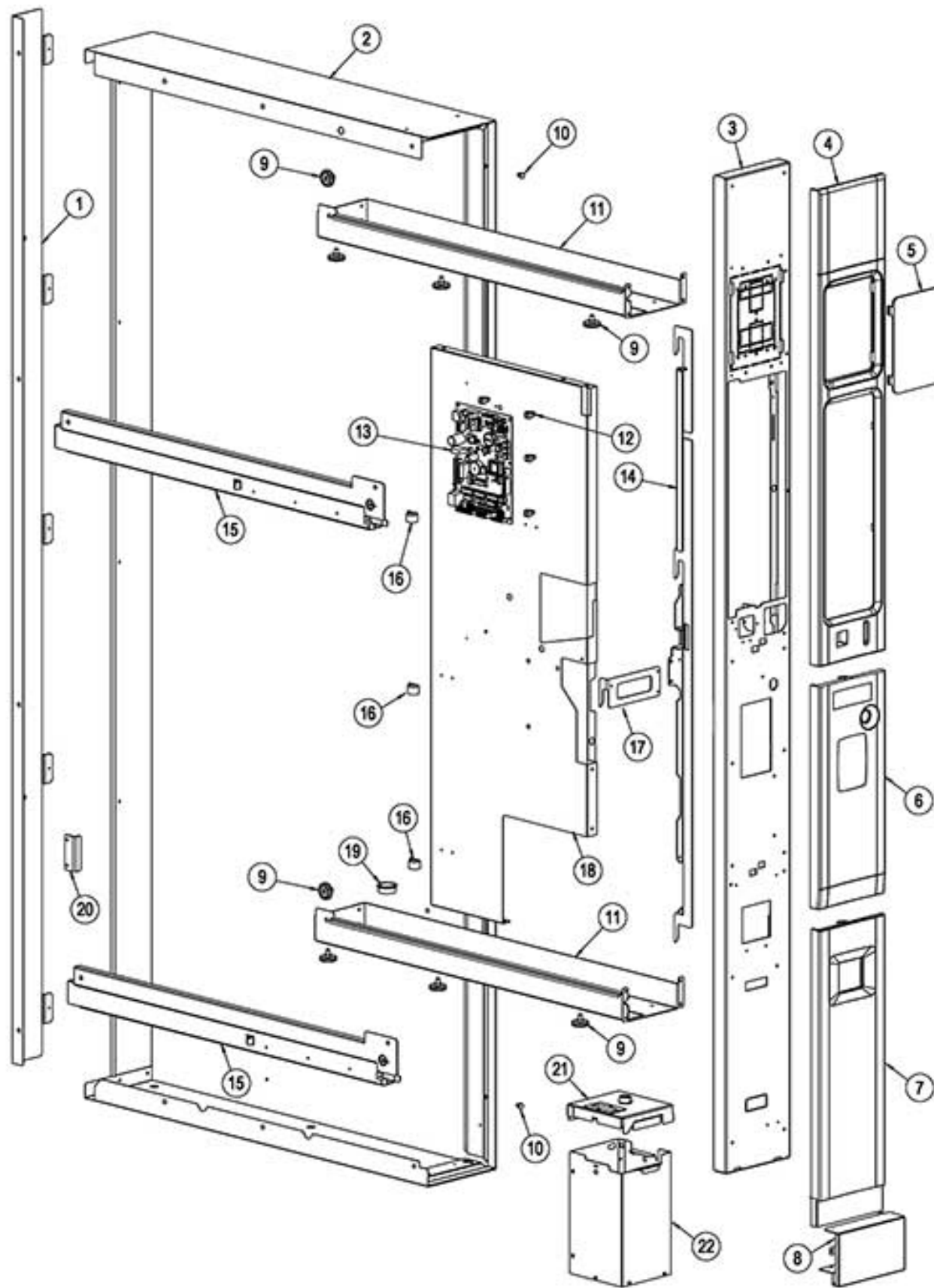
SNACK EUROPA - Cabinet unit



## SNACK EUROPA

SNACK EUROPA - Cabinet unit

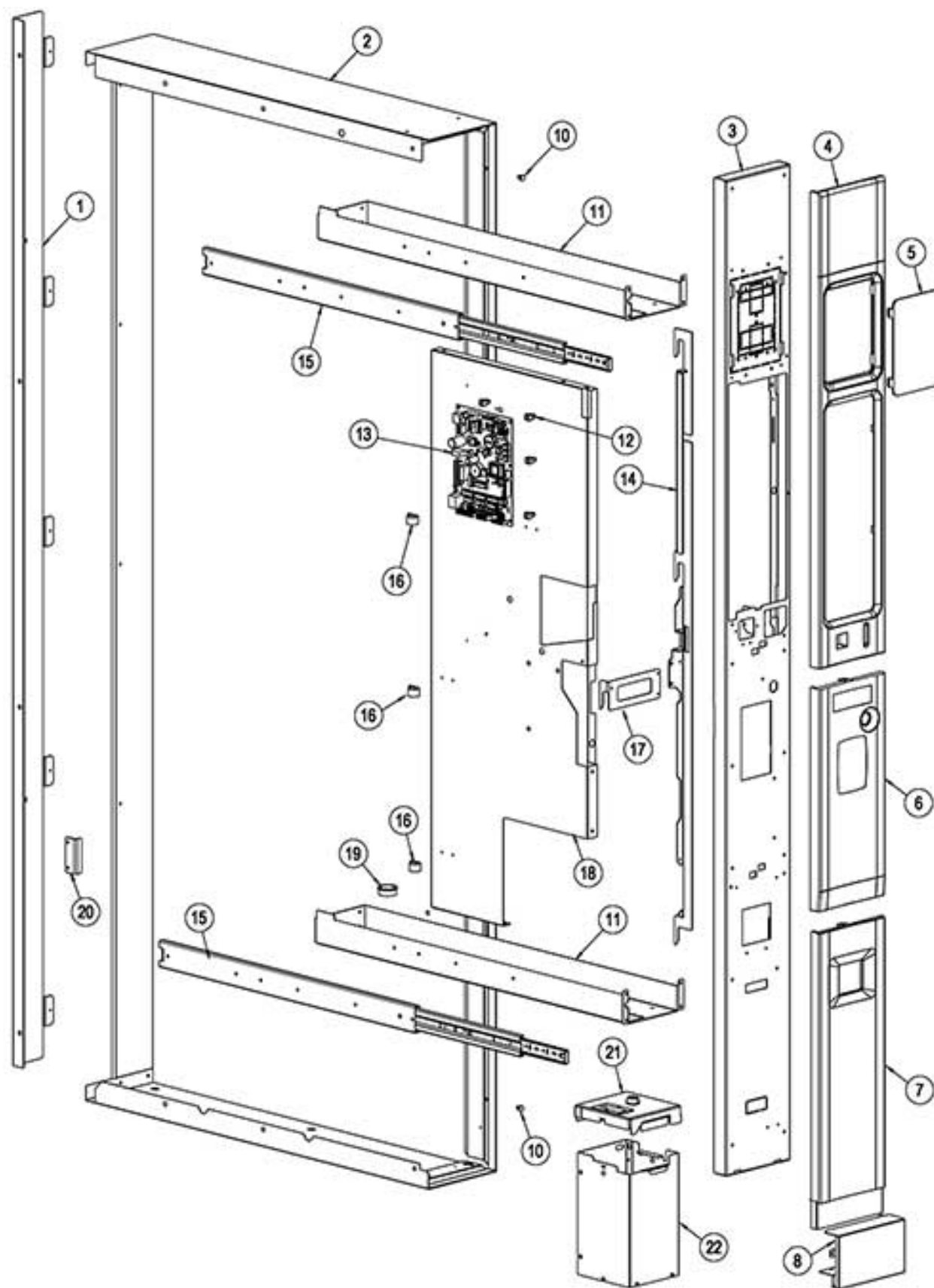
Pos. Code	Description
1 501500004	EUR7 Cabinet unit with interior
2 501500007	Rear EUR7 grid
2 00014001	Cabinet foot
4 501500008-V	EUR7 Door upper pintle
5 12100004	36W neon lamp
6 501101007	EUR7 Neon lamp glass cover
7 501101010-V	Bracket for EUR7 Neon lamp glass cover
8 501101022-V	EUR7 Lamp led cover
9 61103073	Glass for EUR7 Right Lamp led cover (EB Sx)
10 601101041	LXS9 Left lamp led support complet (3x6 Led)
11 501400047	EUR7 Panel refrigerator + rod D.10
13 601500042	Guide sliding panel-support FTCA LXS9
14 501400046	Panel refrigerator front insulating device EUR7
15 501400045	Panel refrigerator bottom insulating device EUR7
16 00027003	Microswitch CROUZET 83161.3
16A 00027011	Micro lever 24mm with wheel
17 501500130	Sliding panel complete EUR7
18 501530016	Right spring for EUR7 dispenser unit lever
19 501530010	Right lever for EUR7 dispenser unit
20 501500057-V	Cover for central crossbar EUR7
21 501530025	Pin A 4 mm for EUR7 dispenser unit lever
22 501530011	Left lever for EUR7 dispenser unit
23 501530017	Left spring for EUR7 dispenser unit lever
24 501500058	Central and internal crossbar for levers EUR7
25 501500059-V	Central and external crossbar for levers EUR7
26A 501530009	EUR7 Dispenser unit complete
26B 501530209	EUR7-Pro Dispenser unit complete
27 501530019	Rear spring for EUR7 dispenser unit
29 501500009C	EUR7 Complete Cabinet skirting
30A 501101021	EUR7-Std double glazed glass-case+frame
30B 501101020	EUR7-Pro double glazed glass-case+frame
31 501130007-V	Bracket for blocking door EUR7
32 501101015	Adhesive plastics for EUR7 glass window protection
33 501101012	EUR7 glass window bottom protection
34 501101016	Vertical adhesive plastics for EUR7 glass window
35 501500069-V	Support bracket for EUR7 seal
36 501500006-V	EUR7 Lower pintle
37 61511001	LAMP HEAD EB/EP8/AM8S
38 61511003	LAMP SPRING CLIPS EB/EP8/EM8S
39 00028005	LAMP STARTER
40 61511002	LAMP HEAD + STARTER EB/EP8/EM8S
41 501510023	EUR7Pro Condensate-proof heating element



## SNACK EUROPA

SNACK EUROPA - Door Unit

Pos. Code	Description
1 502500053	Rear coupling for right-flank MPE-EUR7
2 502500050-V	Right-flank for MPE-EUR7 module
3 502100003-V	EUR7-MPE sliding front frame
4 502100090-V	EUR7 Coin introd./keyboard aesthetic module
5 502100093-V	Aesthetic module for banknote reader MPE-EUR7
6 502100091-V	Aesthetic module for lock MPE-EUR7
7 502100092-V	Aesthetic module coin return MPE-EUR7
8 502500009-V	Skirting for module MPE-EUR7
10 RH0020040235	Rubber plug h. 6 mm for EUR7
11 502500043	Sliding guide for module MPE-EUR7
12 00040092	Spacer (rawplug) h.6,4
13 00120001	CE1 CPU Flash electronic card for EUR7
14 502130006	Right handle carillon for MPE-EUR7 module
15 501500066	Fixed guide for module MPE-EUR7
16 00011029	Clips for cable D. 15,9 (WHC-625-01)
17 502130014	Single handle carillon for MPE-EUR7 module
18 502560005	EUR7-MPE Sliding lateral frame
19 00015075	Snap Bushing for wire (PSGB-2530)
20 501560007	Bracket for blocking sliding door EUR7
21A 502120017	EUR7 Coin box cover complete (Std)
21B 502120018	EUR7 Coin box cover complete (Rielda)
22 502120010	EUR7-MPE Complete coin box

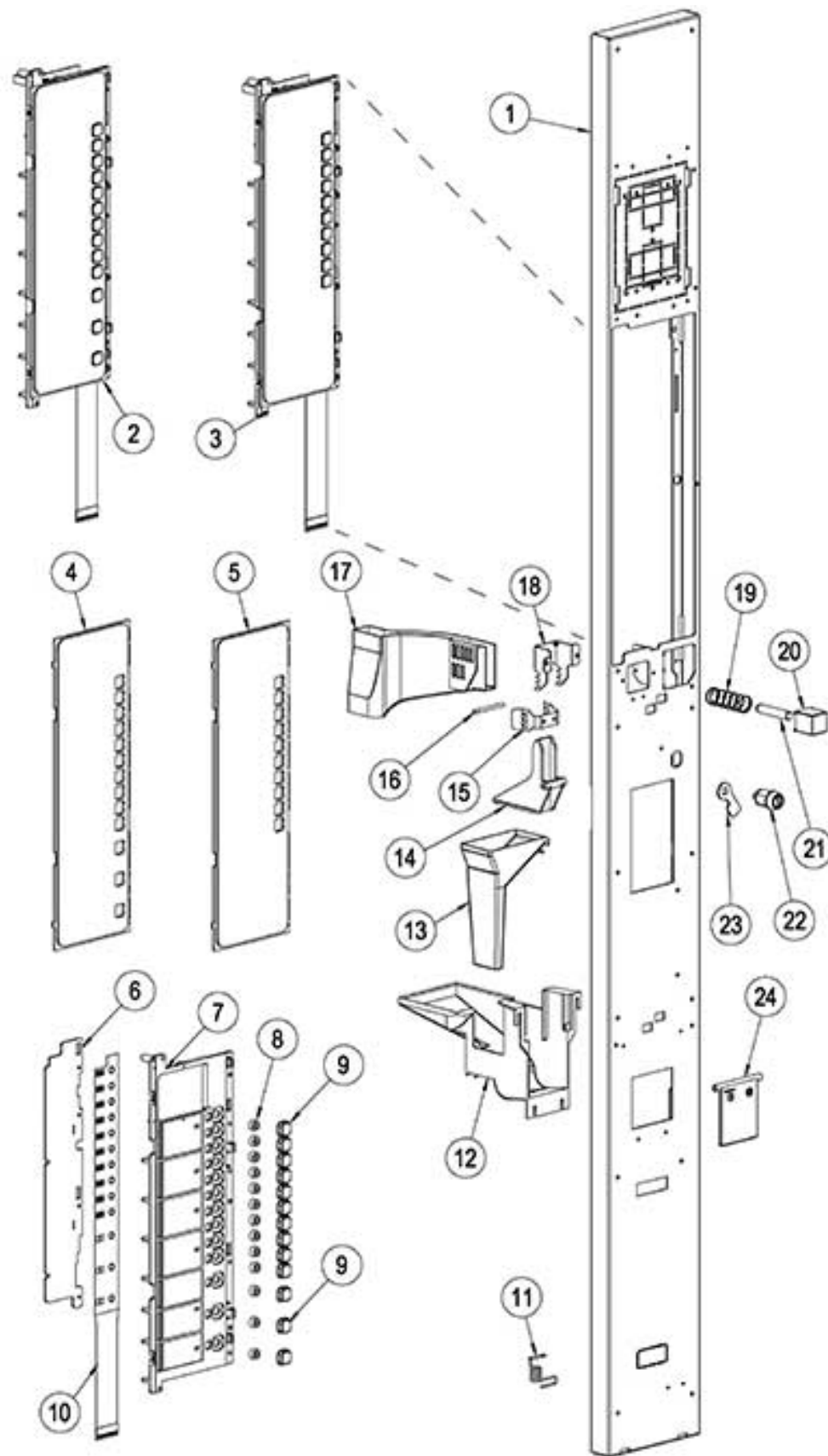


## SNACK EUROPA

SNACK EUROPA - New Door Unit

Pos. Code	Description
1 502500053	Rear coupling for right-flank MPE-EUR7
2 502500050-V	Right-flank for MPE-EUR7 module
3 502100003-V	EUR7-MPE sliding front frame
4 502100090-V	EUR7 Coin introd./keyboard aesthetic module
5 502100093-V	Aesthetic module for banknote reader MPE-EUR7
6 502100091-V	Aesthetic module for lock MPE-EUR7
7 502100092-V	Aesthetic module coin return MPE-EUR7
8 502500009-V	Skirting for module MPE-EUR7
10 RH0020040235	Rubber plug h. 6 mm for EUR7
11 502500042	Sliding beam for guide BeeSlide EUR7
12 00040092	Spacer (rawplug) h.6,4
13 00120001	CE1 CPU Flash electronic card for EUR7
14 502130006	Right handle carillon for MPE-EUR7 module
15 501500068	Guides for EUR7 sliding door (BeeSlide)
16 00011029	Clips for cable D. 15,9 (WHC-625-01)
17 502130014	Single handle carillon for MPE-EUR7 module
18 502560005	EUR7-MPE Sliding lateral frame
19 00015075	Snap Bushing for wire (PSGB-2530)
20 501560007	Bracket for blocking sliding door EUR7
21A 502120017	EUR7 Coin box cover complete (Std)
21B 502120018	EUR7 Coin box cover complete (Rielda)
22 502120010	EUR7-MPE Complete coin box

## SNACK EUROPA - Coin box and slides

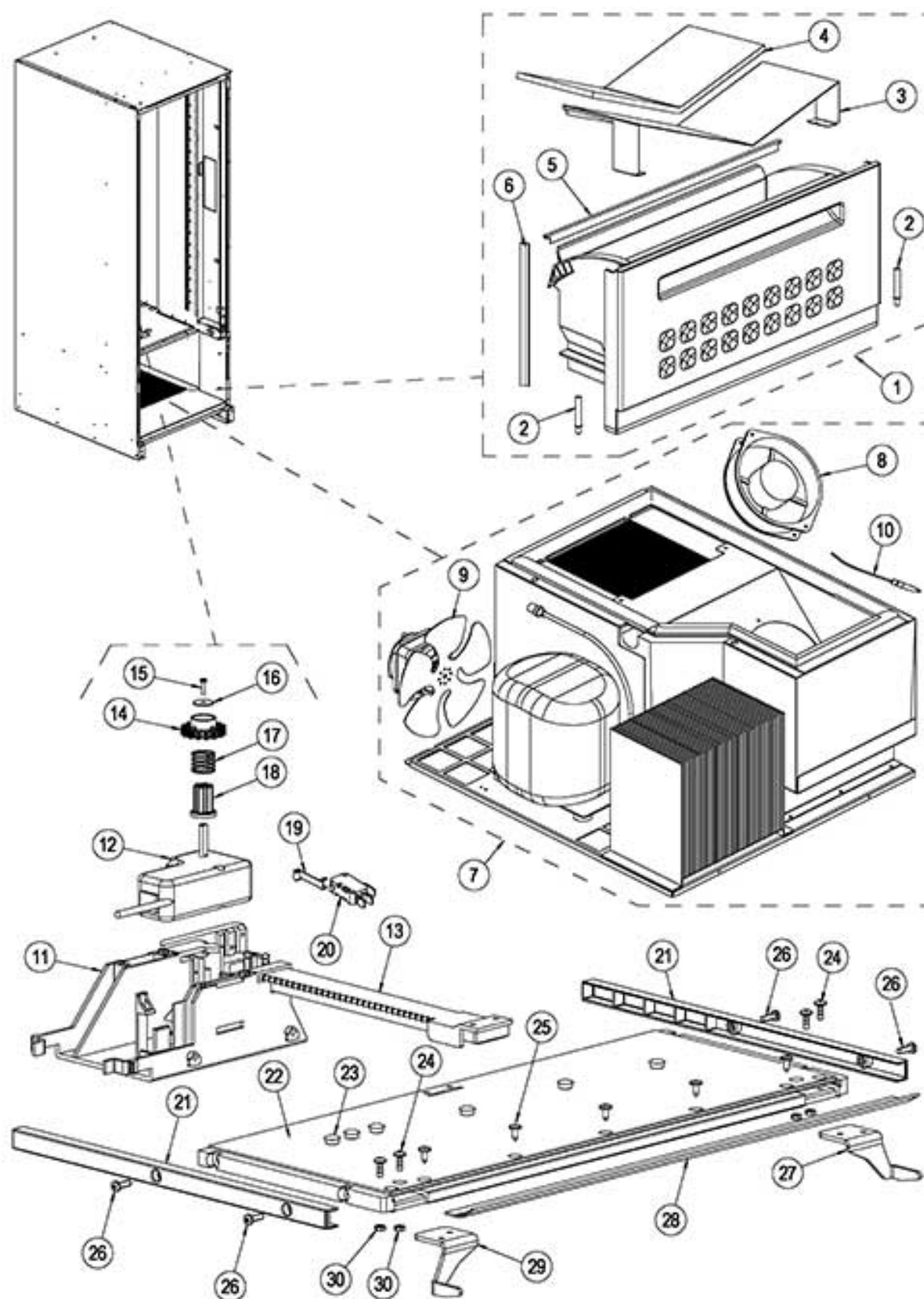




## SNACK EUROPA

SNACK EUROPA - Coin box and slides

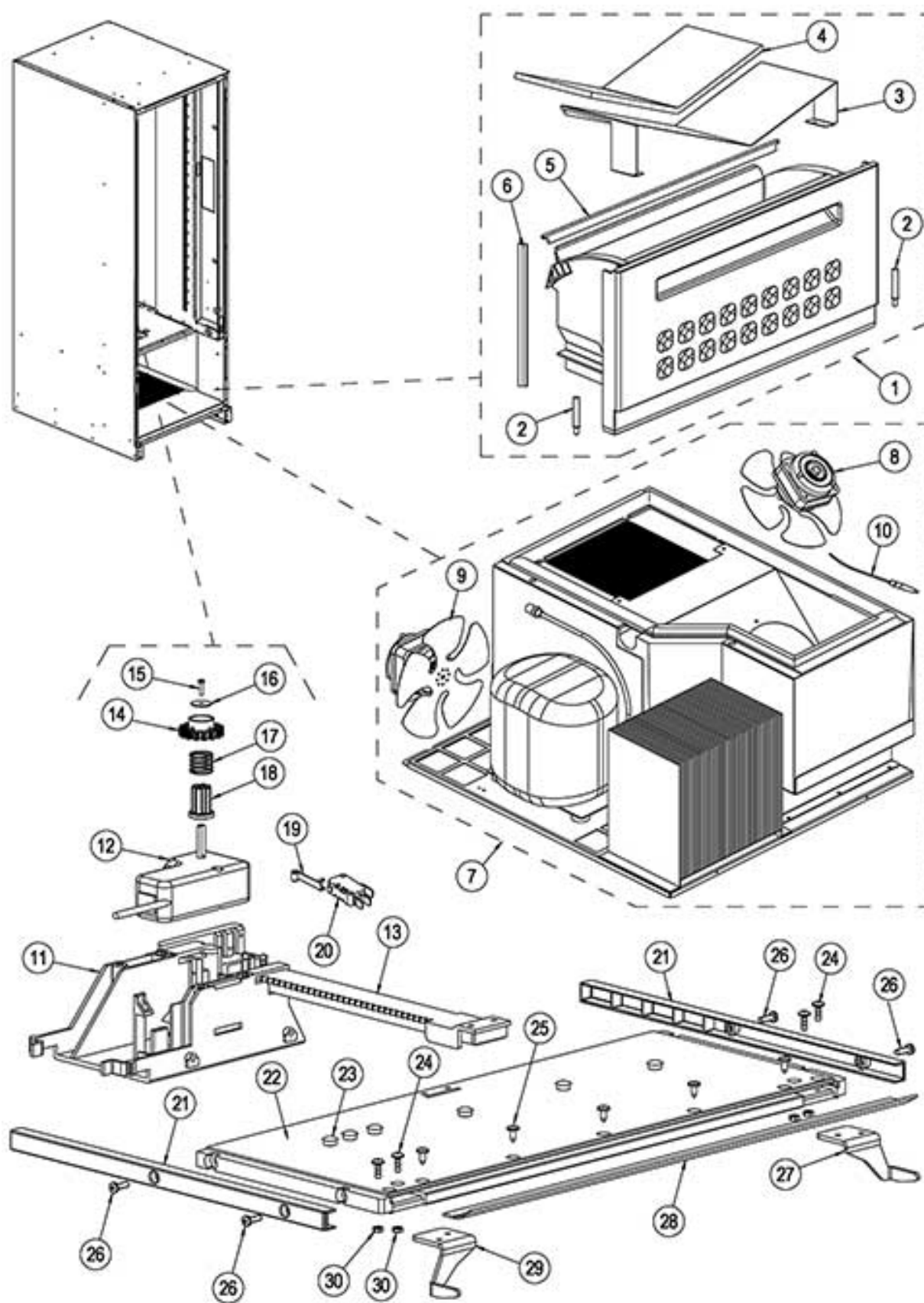
Pos. Code	Description
1 502100003-V	EUR7-MPE sliding front frame
2 502100063	Keyboard (13 keys) for EUR7 complete
3 502100060	Keyboard (10 keys) for EUR7 complete
4 00018066	Serigraphy for EUR7 keyboard (13 keys)
5 00018067	Serigraphy for EUR7 keyboard (10 keys)
6 502150007	Sheet metal for EUR7-MPE keyboard
7 502150005	Support for EUR7-MPE keyboard/display
8 RH0020034311	Spring for EUR7 keyboard
9 RH0020038254	Key for EUR7 keyboard
10A 00061058	Membrane keyboard (10 keys) for EUR7
10B 00061060	Membrane keyboard (13 keys) for EUR7
11 502100043	EUR7-MPE Safety switch bracket
12 502120041	EUR7-MPE Outlet and change slide
13 502120042	EUR7-MPE Coin chute in box
14 502120033	EUR7-MPE Change return lever square
15 502120039	EUR7-MPE Spring for change return lever
16 61120040	EB coin rejection lever pin
17 502120031	EUR7-MPE Coin channel
18 502120015	EUR7-MPE Coin return support
19 00016005	Return coin push-botton spring
20 RH4050010072-V	EUR7 Coin return button
21 00040082	EPL8M-LXS9 Coin return pin
22A 00017071	EUR7 Round cylinder for lock Rielta mod. 515
22B 00017069	EUR7 Round cylinder for lock Eco Gius
23 502130007	Lock shoe EUR7 for carillon
24 RH0020038144-V	EUR7 Coin retur flap



## SNACK EUROPA

SNACK EUROPA - Cooling unit Standard

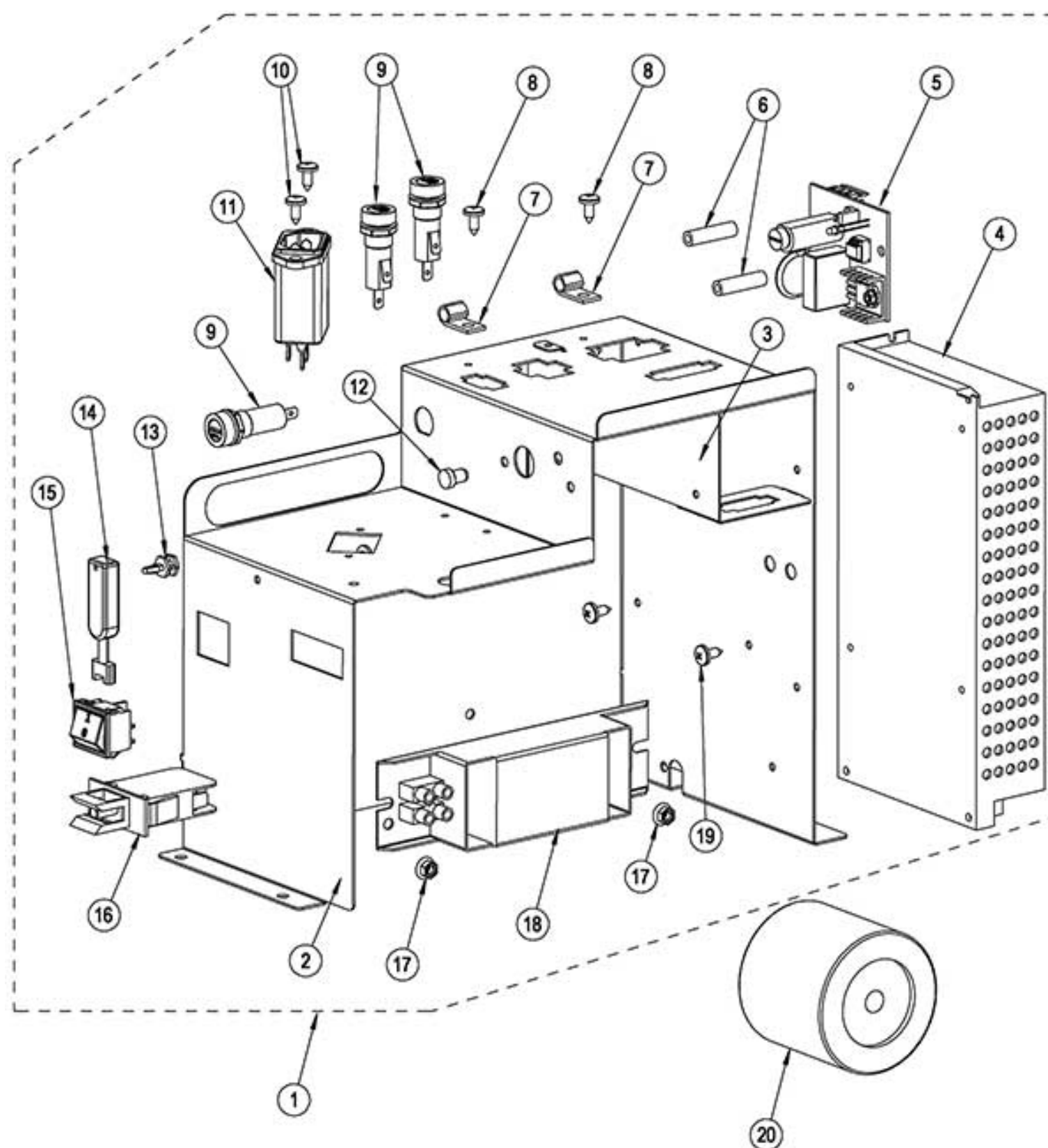
Pos. Code	Description
1 501530009	EUR7 Dispenser unit complete
2 601100041	Piston of slowing-down BLM
3 501530037	EUR7 Chute bottles 'M'
4 501530038	Insulator for EUR7 Chute bottles 'M'
5 501530023	Rubber gasket 18 x A,6
6 501530022	Rubber gasket 16 x A,8
7 501400001	EUR7 Standard Cooling unit
8 501400005	Fan for cooling unit evaporator EUR7 Standard
9 501400015	Fan for cooling unit compressor EUR7 Standard
10 00069030	Blu temperature probe for cooling unit
11 501500032	Sliding anti-theft motor support EUR7
12 601510019	Motor 24Vdc 287 Rpm anti-theft LXS9
13 501500035	EUR7 Rack rod for anti-thelf sliding panel
14 501500036	EUR7 Anti-theft sliding panel gearwheel
15 00034059	TC+ 2,5 x 8 Screw
16 501500047	washer 6 x 10 x 1 for gearwheel EUR7
17 501500046	Spring for EUR7 sliding panel gearwheel
18 501500037	Shaft for EUR7 gearwheel
19 00027011	Micro lever 24mm with wheel
20 00027003	Microswitch CROUZET 83161.3
21 501500034	Skater for EUR7 Anti-thelf sliding panel
22 501500030	EUR7 Anti-thelf sliding panel
23 00015076	EUR7 Hole covering cup d. 10
24 00034064	TC+ 4 x 10 Screw
25 00035002	TC+ 3,9 x 9,5 self-tapping screw
26 00035015	TC+ 3,9 x 19 self-tapping screw
27 501500044	Bracket for release right lever EUR7
28 501500039	Rubber gasket 30 x 1,5 mm
29 501500045	Bracket for release left lever EUR7
30 00031002	D.4 nut



## SNACK EUROPA

SNACK EUROPA - Cooling unit Pro

Pos. Code	Description
1 501530209	EUR7-Pro Dispenser unit complete
2 601100041	Piston of slowing-down BLM
3 501530037	EUR7 Chute bottles 'M'
4 501530038	Insulator for EUR7 Chute bottles 'M'
5 501530023	Rubber gasket 18 x A,6
6 501530022	Rubber gasket 16 x A,8
7 501760001	EUR7 Pro Cooling unit (Super)
8 501400017	Fan for cooling unit evaporator EUR7 Pro complete
9 601400015	Fan for cooling unit compressor LXS9-EUR7Pro
10 00069030	Blu temperature probe for cooling unit
11 501500032	Sliding anti-theft motor support EUR7
12 601510019	Motor 24Vdc 287 Rpm anti-theft LXS9
13 501500035	EUR7 Rack rod for anti-thelf sliding panel
14 501500036	EUR7 Anti-theft sliding panel gearwheel
15 00034059	TC+ 2,5 x 8 Screw
16 501500047	washer 6 x 10 x 1 for gearwheel EUR7
17 501500046	Spring for EUR7 sliding panel gearwheel
18 501500037	Shaft for EUR7 gearwheel
19 00027011	Micro lever 24mm with wheel
20 00027003	Microswitch CROUZET 83161.3
21 501500034	Skater for EUR7 Anti-thelf sliding panel
22 501500030	EUR7 Anti-thelf sliding panel
23 00015076	EUR7 Hole covering cup d. 10
24 00034064	TC+ 4 x 10 Screw
25 00035002	TC+ 3,9 x 9,5 self-tapping screw
26 00035015	TC+ 3,9 x 19 self-tapping screw
27 501500044	Bracket for release right lever EUR7
28 501500039	Rubber gasket 30 x 1,5 mm
29 501500045	Bracket for release left lever EUR7
30 00031002	D.4 nut

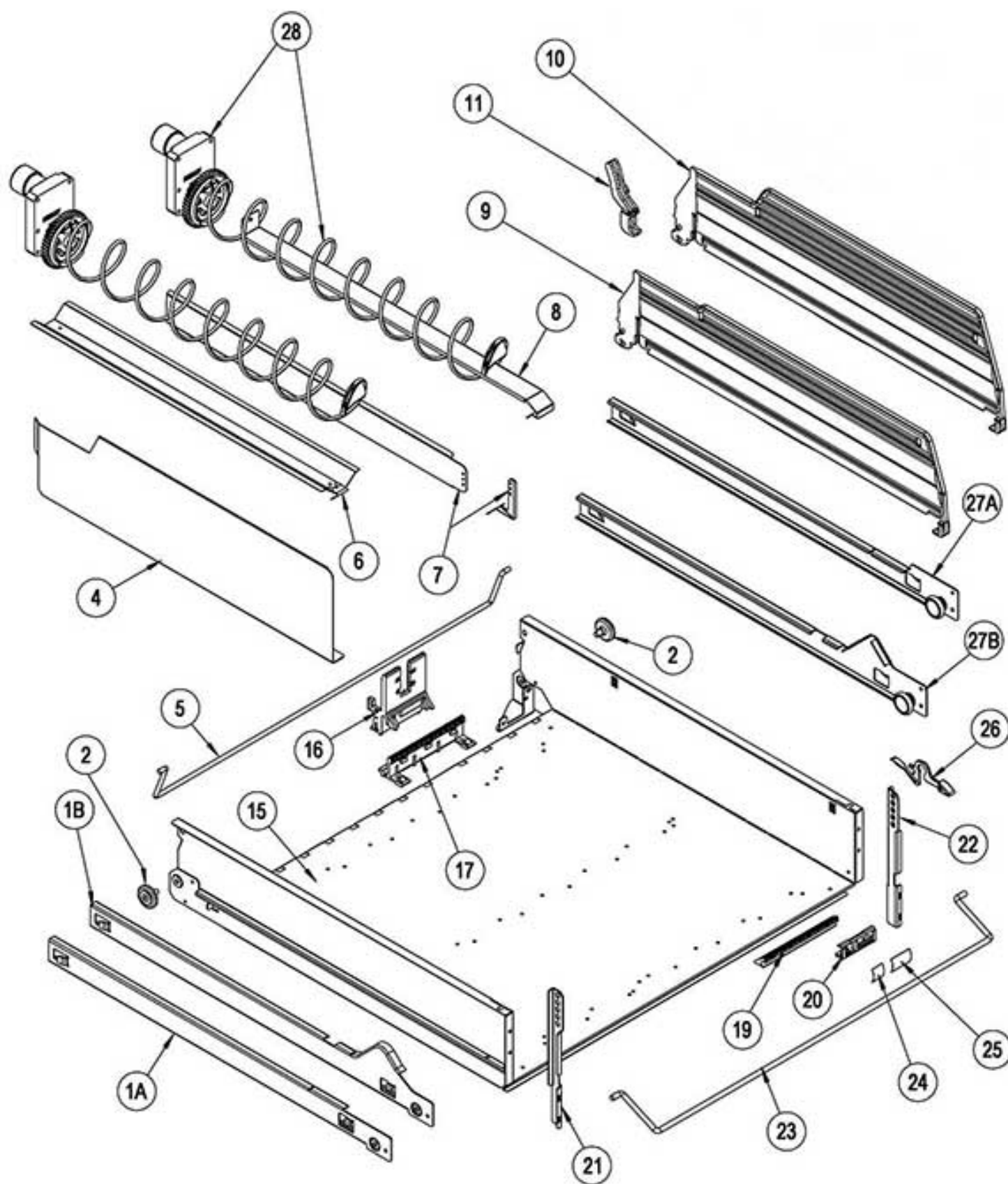


## SNACK EUROPA

SNACK EUROPA - Electrical box

Pos. Code	Description
1 502510010	EUR7-MPE Electrical box complete
2 502510004	Electric box frame EUR7-MPE
3 502510003	EUR7-MPE Electrical box separator
4 501510005	Switching power pack 24Vdc for EUR7
5 00065102	XTS Triack relay card
6 00040051	8 x 25 Spacer
7 00011020	Clips for cable D. 6,4 (WHC-250-01)
8 00035012	TAPPING SCREW TC 3,9 x 6,5 WITHOUT POINT
9 00029006	P2300 EP8 ATM-T Single Fuse Holder
10 00035052	TC+ 3,9x 9,5 self-tapping screw without point
11 00020073	Panel pin with filter 10A
12 00015007	Transparent cap for coin return (ribalta)
13 00025055	6 mm height spacer
14 00027007	Safety switch key
15 00027030	XTS5 Electrical box switch
16 00027006	DOOR CIRCUIT BREAKER
17 00031010	Flanged nut M4
18 61511006	EB lamp reactor 36W
19 00034005	TC 3 x 6 Screw
20A 601511005	Transformer for LXS9 230-24V 60W for Executive
20B 501510030	Kit option for Executive EUR7

SNACK EUROPA - Flexspir Drawer Unit



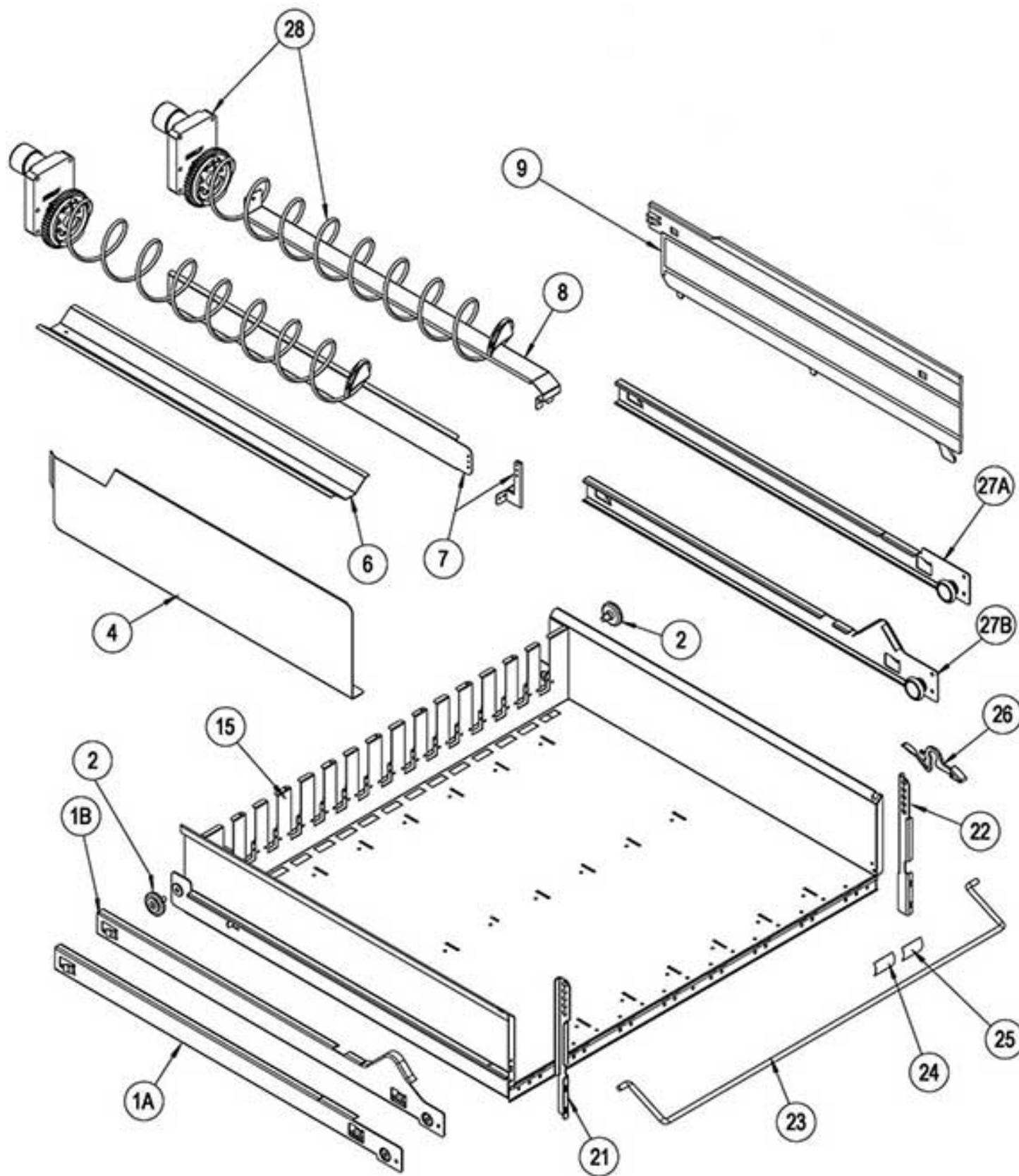


## SNACK EUROPA

SNACK EUROPA - Flexspir Drawer Unit

Pos. Code	Description
1A 501300003C	EUR7 Drawer fixed left-hand guide with wheel
1B 501301003C	EUR7 Drawer reclining left-hand guide with wheel
2 61302015	EB/EP8/LS9 Drawer sliding wheel
4 601300024-V	LXS9 Metal product separator
5 501300018	EUR7 support cable drawer rod
6 601300008-V	LXS9 Product conveyor spiral
7 601301026	LXS9 spiral separator complete
8 601300017	LXS9 Product support bridge stainless steel
9 601301019	LXS9 Plastic product separator (Low)
10 601301024	LXS9 Plastic product separator (high)
11 601301020	Lever for LXS9 plastic product separator
15 501300013	EUR7 Flex Drawer (sheet metal with guides)
16 601300035	Support single-motor for drawer LXS9
17 601300036	LXS9 Rack support for drawer motor
19 601300037	LXS9 Rack support for price holder
20 601300016	LXS9 Price holder drawer
21 601300065-V	Left low support for bottle drop stopper LXS9
22 601300066-V	Right low support for bottle drop stopper LXS9
23 501300067	Mobile rod for low bottle drop stopper EUR7
24 601320011	LXS9 Positions sheet
25 601320021	LXS9 Prices sheet
26 601300041	LXS9 Drawers stop bracket
27A 501300002C	EUR7 Drawer fixed righ-hand guide with wheel
27B 501301002C	EUR7 Drawer reclining righ-hand guide with wheel
28 V t s	See Spiral Unit (Table G1)

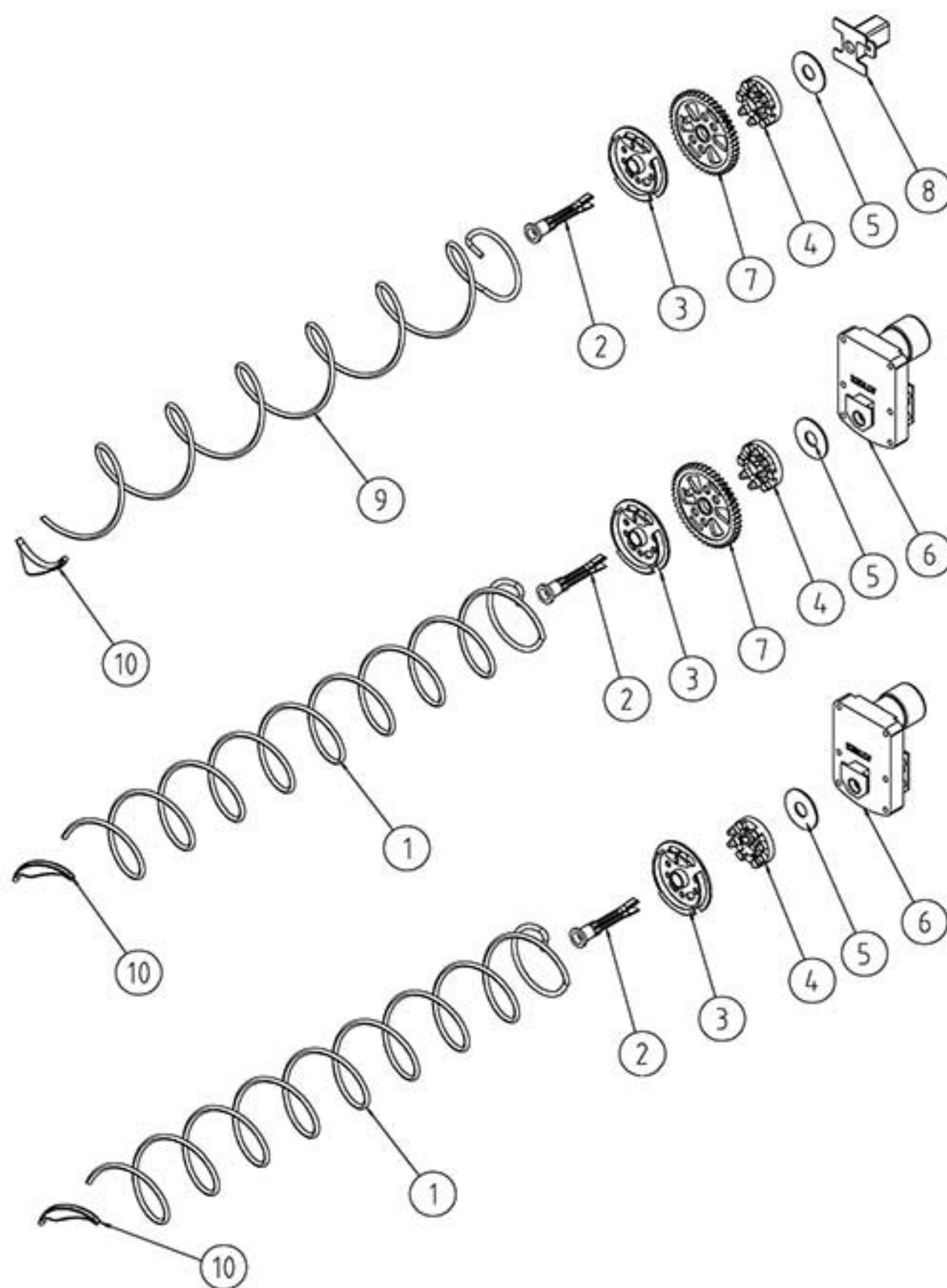
SNACK EUROPA - Standard Drawer Unit



## SNACK EUROPA

SNACK EUROPA - Standard Drawer Unit

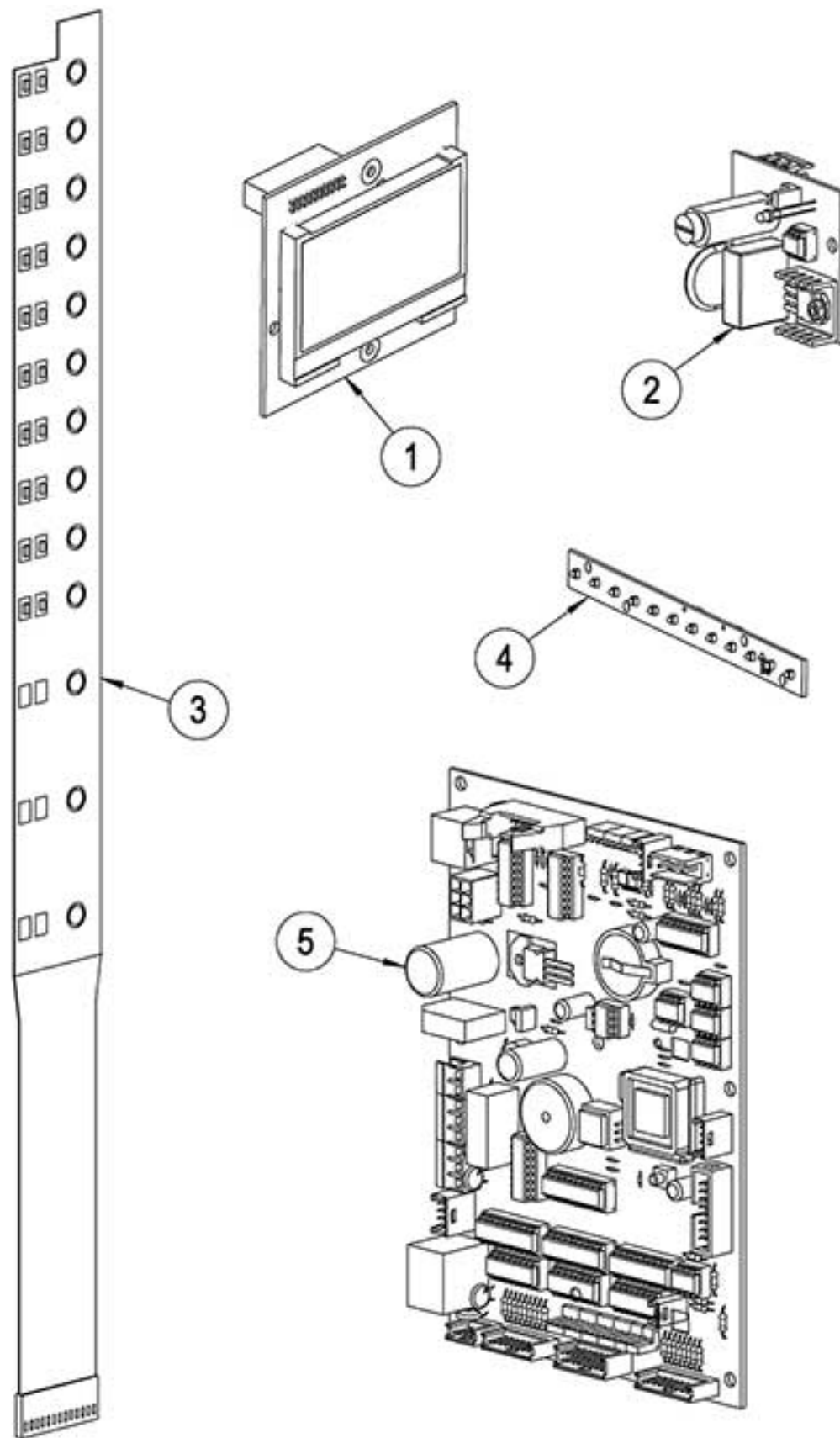
Pos. Code	Description
1A 501300003C	EUR7 Drawer fixed left-hand guide with wheel
1B 501301003C	EUR7 Drawer reclining left-hand guide with wheel
2 61302015	EB/EP8/LS9 Drawer sliding wheel
4 601300024-V	LXS9 Metal product separator
6 61300008-V	Product conveyor spiral
7 61301026	COMPLETE SPIRALS SEPARATOR
8 61300017	STAINLESS BRIDGE PRODUCTS SUPPORT
9 61301024	PLASTIC PRODUCTS SEPARATOR
15A 501307023	EUR7 Drawer 7 spirals (sheet metal with guides)
15B 501367023	EUR7 Drawer 6 spirals (sheet metal with guides)
21 601300065-V	Left low support for bottle drop stopper LXS9
22 601300066-V	Right low support for bottle drop stopper LXS9
23 501300067	Mobile rod for low bottle drop stopper EUR7
24 66320011	EP8 position sheet
25 61320021	PRICES PAPER EB/EP8/EM8S
26 601300041	LXS9 Drawers stop bracket
27A 501300002C	EUR7 Drawer fixed righ-hand guide with wheel
27B 501301002C	EUR7 Drawer reclining righ-hand guide with wheel
28 V t s	See Spiral Unit (Table G1)



## SNACK EUROPA

SNACK EUROPA - Flexspir Spiral Unit

Pos. Code	Description
1A 61311024-V	Right spiral D.65 thread 24 (20 products)
1B 61311032-V	RIGHT SPIRAL D.65 - PITCH 32 (15 PRODUCTS)
1C 61311045-V	Right spiral D.65 thread 45 (10 products)
1D 61311060-V	Right spiral D.65 thread 60 (8 products)
1E 61311079-V	Right spiral D.65 thread 78,5 (6 products)
1F 61311091	RIGHT SPIRAL D.65 - PITCH 94 (5 PRODUCTS)
1G 61311117	Right spiral D.65 thread 117 (4 products)
2 601300029	LXS9 Spiral motor shaft
3 601300012	LXS9 Spiral attachment ring nut
4 601300034	LXS9 friction for spiral attachment ring
5 00032060	Nylon washer D. 12,7-35 thickness 1,5
6 61302011	Spiral gearmotor
7 601300031	LXS9 Spiral toothed wheel
8 601300032	LXS9 Bush for toothed wheel
9A 61312024-V	Left spiral D.65 thread 24 (20 products)
9B 61312032-V	Left spiral D.65 thread 32 (15 products)
9C 61312045-V	Left spiral D.65 thread 45 (10 products)
9D 61312060-V	Left spiral D.65 thread 60 (8 products)
9E 61312079-V	Left spiral D.65 thread 78,5 (6 products)
9F 61312091	Left spiral D.65 thread 94 (5 products)
9G 61312117	Left spiral D.65 thread 117 (4 products)
10 60300043	SPIRAL SHOVEL



## SNACK EUROPA

SNACK EUROPA - Electronic cards

Pos.	Code	Description
1	00140001	Graphic display card for EUR7
2	00065102	XTS Triack relay card
3A	00061058	Membrane keyboard (10 keys) for EUR7
3B	00061060	Membrane keyboard (13 keys) for EUR7
4	00067041	LXS9 FTCA 2 barrier-card
5	00120001	CE1 CPU Flash electronic card for EUR7