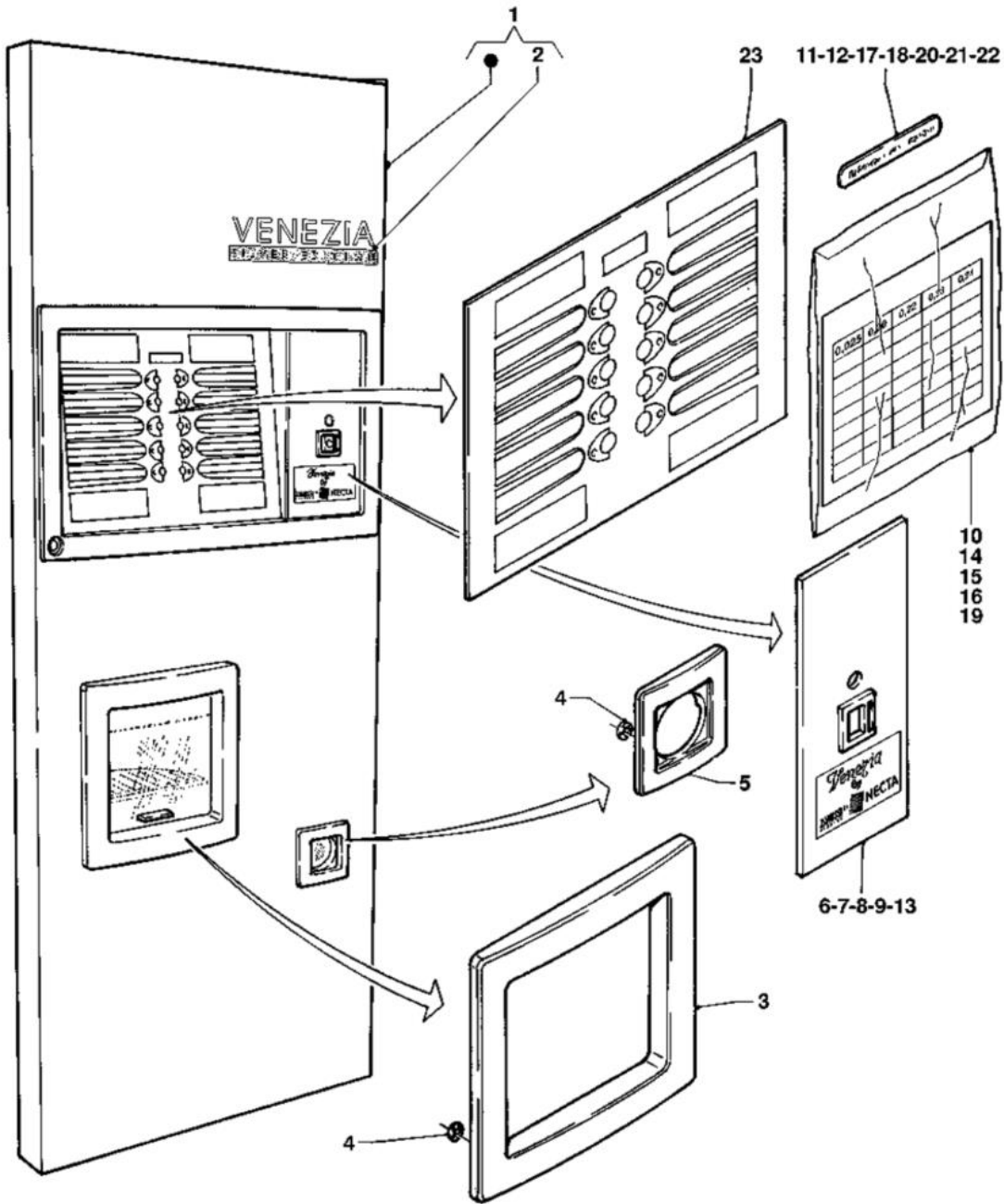


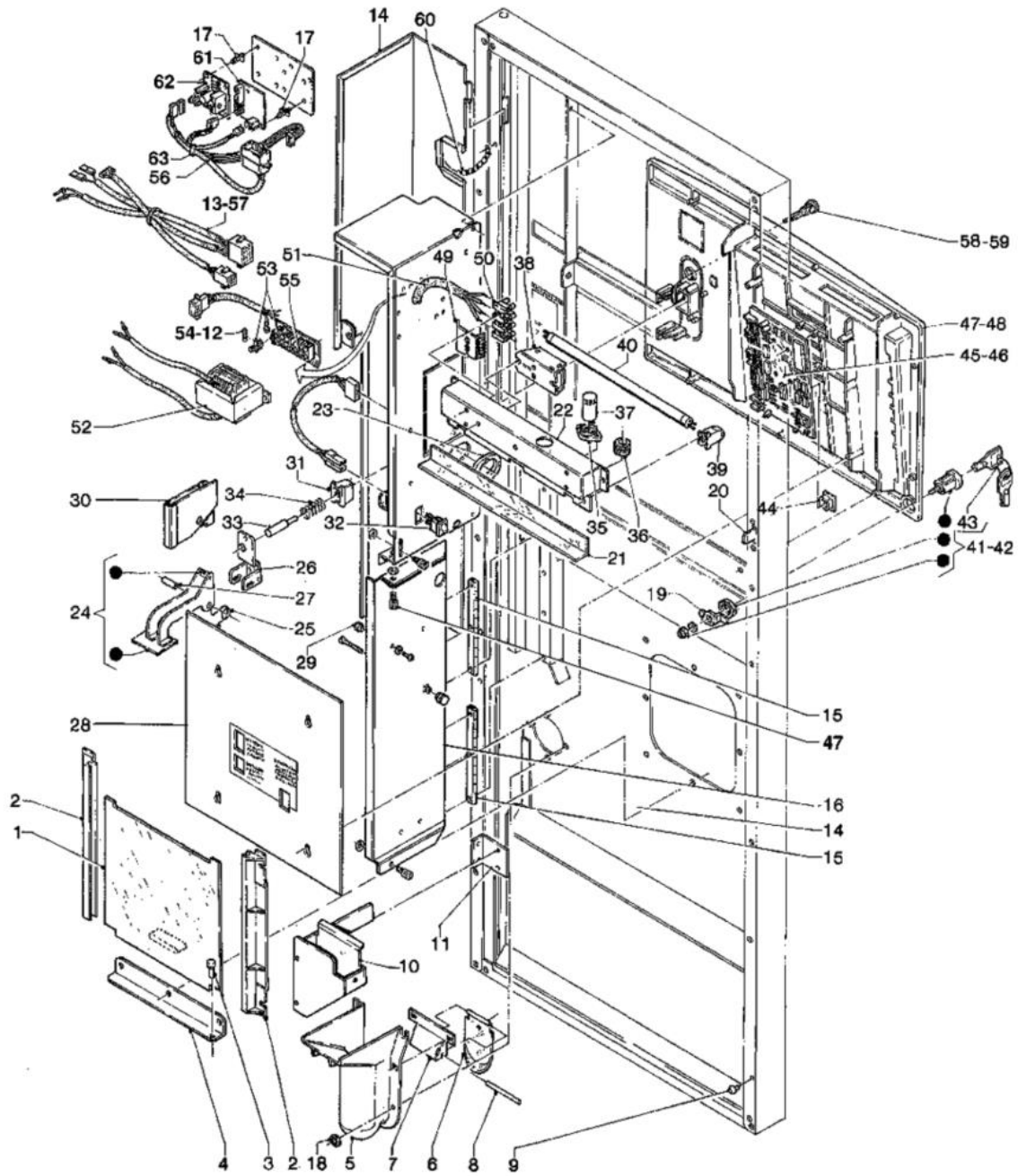


- 1 Door - External side
- 2 Door - Internal side
- 3 Cabinet assy
- 4 Electric panel
- 5 Hydraulic system
- 6 Cup dispenser
- 7 Sugar and spoons dispenser
- 8 Mixer and canister
- 9 Grinder doser unit
- 10 Coffee unit Z2000
- 11 Hydraulic system Instant
- 12 Electrical junction box and connectors





posLbl	Item	Description	Price (Eur)
0001	0V3890	SILVER EDITION DOOR	463.20
0002	0V3617	SILVER EDITION -ADHESIVE-	0.00
0003	0V1795	'BLACK' CUP FRAME	14.88
0004	093829	LEVER LOCK CLIP	0.14
0005	0V1796	'BLACK' COIN RETURN FRAME	5.64
0006	0V1799	EXEC. INFORMATION PLATE (I)	33.00
0007	0V3810	INFORMATION PLATE "SILVEREDITION"	20.16
0008	0V3820	INFORMATION PLATE "LIMITED EDITION"	0.00
0009	0V2267	USER INFO. LABEL - CZECH R.	38.40
0010	0V1914	PRICE LABEL 'SLOVAKIA'	11.28
0011	0V3822	PRODUCT LABELS (CZECH R.)	0.00
0012	254478	PRODUCTS PLATES COLLAGE -CZ-SK-PL-	39.60
0013	0V1800	EXEC. INFORMATION PLATE (E)	26.40
0014	0V3367	PRICE PLATE - EURO 0,01-	3.66
0015	0V3367	PRICE PLATE - EURO 0,01-	3.66
0016	0V1906	PRICE LABEL 'POLAND'	11.28
0017	0V3618	'ITALIAN BLUE EDITION PRODUCT LABELS	30.00
0018	0V3821	PORTUGUESEPRODUCT LABELS	0.00
0019	0V3368	PRICE PLATE - EURO 0,05-	3.36
0020	0V3811	PRODUCT LABELS FRANCE 'LIMITED EDITION'	35.40
0021	0V3819	PRODUCT LABELS SPANISH LIMITED EDITION"	32.40
0022	254478	PRODUCTS PLATES COLLAGE -CZ-SK-PL-	39.60
0023	0V1794	'BLACK' SELECTION PANEL	84.00



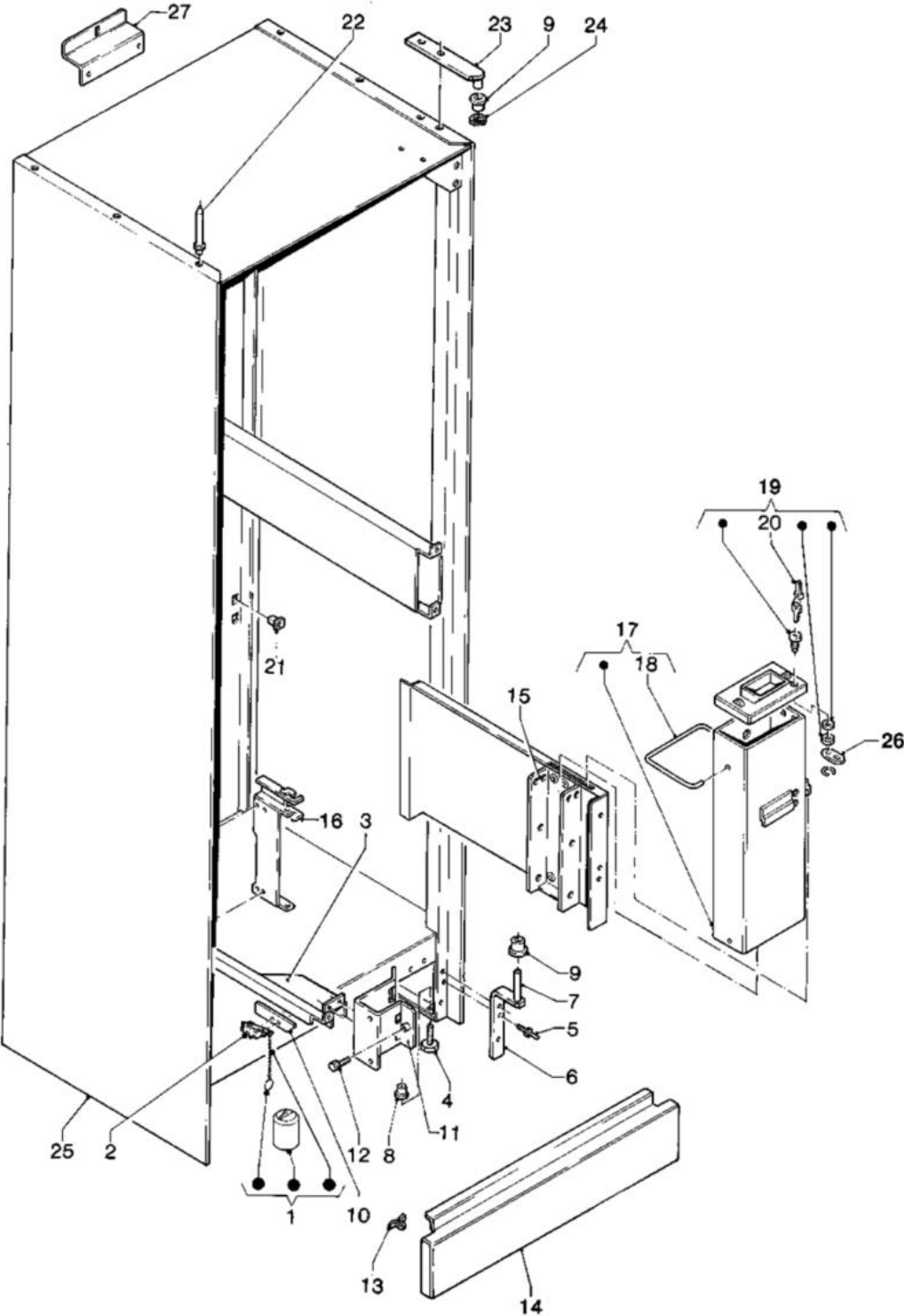


posLbl	Item	Description	Price (Eur)
0001	093888	CUP EXIT SHUTTER	13.20
0002	094482	SHUTTER GUIDE	1.92
0003	092738	WEDGE BUMPER	0.86
0004	0V0519	SLIDER STOP	4.80
0005	0V1797	'BLACK' COIN DUCT	9.60
0006	093890	MONEY RETURN SHUTTER	1.30
0007	097455	MONEY RETURN SHUTTER BRACKET	1.18
0008	093891	SHUTTER PIVOT	0.30
0009	098833	BUFFER	0.07
0010	0V0514	COIN CHUTE	18.36
0011	0V0520	SQUARE PIECE	4.80
0012	097097	FUSE 2 AMP.5X20 DELAYED ACT	0.32
0013	0V1369	EXECUTIVE-MDB WIRING	0.00
0014	0V0515	BOX COVER	40.20
0015	096164	HINGE	3.90
0016	0V0539	COIN MECHANISM SUPPORT	34.80
0017	097175	CARD SPACER	0.22
0018	093829	LEVER LOCK CLIP	0.14
0019	0V0505	LATCH	1.54
0020	098755	MICRO ACTIVATOR	1.63
0021	0V0528	LAMP GLASS	2.34
0022	0V0516	STARTER SUPPORT	15.48
0023	093916	WHIPPING OVAL	0.34
0024	097351	OPENING LEVER SELECTOR ASSEMBLY	16.56
0025	094194	ARM RECOVERY SPRING	1.37
0026	0V0503	SELECTOR OPENING DEVICE SUPPORT	3.42
0027	097352	OPENING LEVER PIVOT SELECTOR	1.30
0028	0V0524	PUSH-BUTTON BOARD COVER	9.84
0029	098874	RATCHET M3	0.72
0030	0V0538	COIN CHUTE	12.72
0031	0V0835	PUSH-BUTTON 'BLACK'	1.74
0032	097807	BUTTON	2.88
0033	095965	SELECTOR LEVER OPENING EFFECTER	2.46
0034	093870	BUTTON SPRING	0.29
0035	091799	STARTER HOLDER	1.92
0036	093312	WHIPPING DIAM MM 12 ART 46	0.24
0037	091802	STARTER TYPE S10	2.40
0038	097268	INDUCTOR TYPE BPL	16.56
0039	097267	LAMP HOLDER TYPE G5	0.80
0040	097266	LIGHT TYPE TL 8 W	9.60
0041	099905	LOCK RIELDA-MOD.503-	34.20
0042	098303	LOCK TYPE 'N'	42.00
0043	098463	PASSPARTOUT -ROUND LOCK-	6.00
0044	097486	BUTTON CARD	4.68



Door - Internal side

posLbl	Item	Description	Price (Eur)
0045	098830	BUTTONS BOARD	122.40
0046	0V1370	MDB USER INTERFACE CARD BRASIL	129.60
0047	096977	KNURL	1.03
0048	0V1793	'BLACK' EXECUTIVE PUSH-BUTTON PANEL	55.20
0049	097242	SUB-TERMINAL BOARD	1.56
0050	986053	TERMINAL BOARD	0.77
0051	0V0535	LAMP WIRING	34.80
0052	095708	TRANSFORMER 220/24/28V 50W	37.80
0053	097241	3-POLE TERMINAL BOARD W/CARRIER	3.48
0054	096638	FUSE 5X20 200MA	0.00
0055	093282	12-POLE TERMINAL BOARD	0.00
0056	099370	COIN VERIFIER WIRING	0.00
0057	0V0536	EXECUTIVE WIRING	0.00
0058	099563	LUMINOUS INDICATOR 12 VOLT	5.16
0059	099352	LUMINOUS INDICATOR 24 VOLT	11.52
0060	0V0882	DOOR STOP	6.00
0061	098936	COIN-MECH.-BOARDEXECUTIVE	15.84
0062	098943	STABILIZER BOARD 24V	0.00
0063	090148	CLIP	0.05



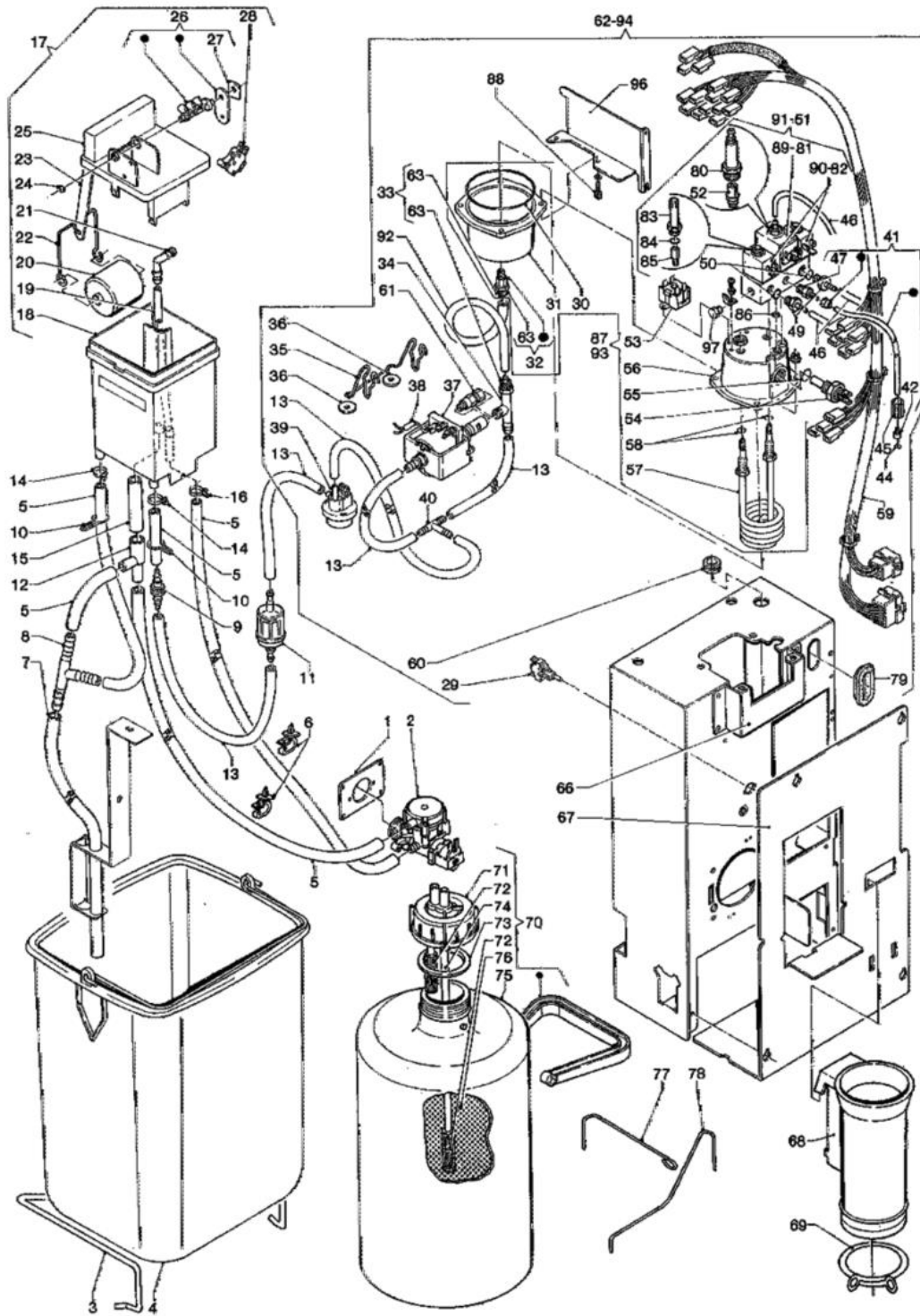


Cabinet assy

posLbl	Item	Description	Price (Eur)
0001	094294	FLOAT	6.12
0002	093308	MICROSWITCH SERIE RLL/D	0.00
0003	098788	SUPPORT GROUNDS-MICRO	15.84
0004	096244	LITTLE FEET	0.89
0005	094159	FIXING PLUG	1.22
0006	098698	LOWER DOOR HINGE	12.24
0007	094576	CENTERING PLUG	1.06
0008	097861	THREADED CONNECTOR	0.55
0009	093886	HINGE BUSH	1.51
0010	092761	INSULATING DISK	0.72
0011	098753	SUPPORT DELIVERY OPENING	10.32
0012	096977	KNURL	1.03
0013	094073	LOCK SPRING GRINDER AND COFFEE GROU	0.41
0014	0V3619	FEET COVER -SILVER-	26.40
0015	099627	SUPPORT	9.60
0016	0V0504	HINGE	11.52
0017	0V0540	COIN BOX	44.40
0018	098791	COIN-BOX HANDLE	3.84
0019	090861	CYLINDER LOCK TYPE K	34.80
0020	092218	PASSE-PARTOUT LOCK K	5.04
0021	094111	INSULATING DOLLY BLOCK	0.14
0022	098222	RIVET	0.30
0023	098762	UPPER HINGE	10.56
0024	093171	OUTER FIXING COLLAR DIAM MM6	0.05
0025	0V0541	CABINET	624.00
0026	098551	BOLT	0.76
0027	098872	FIXING BRACKET DISTRIBUTOR	5.52



posLbl	Item	Description	Price (Eur)
0001	097241	3-POLE TERMINAL BOARD W/CARRIER	3.48
0002	097103	FUSE 1,25A 5X20 DELAYED ACTION	0.34
0003	098793	5P TERMINAL BOARD WITH FUSE-HOLDER	4.14
0004	097544	FUSE 125 MA DELAYED ACTION	0.61
0005	097242	SUB-TERMINAL BOARD	1.56
0006	098792	TRANSFORMER	24.00
0007	0V3512	ELECTRICAL NET FILTER	16.92
0008	096921	POWER POINT 10 AMP	1.85
0009	094907	QUICK FUSE 10A	0.58
0010	098794	FUSE-HOLDER	2.52
0011	0V2470	WIRED SCALER 12 VOLT	27.00
0012	093984	GUIDE SPACER	0.19
0013	0V1960	CPU/REALISATION BOARD	258.00
0014	095004	EPROM 512K (TO BE PROGRAMMED)	13.68
0015	0V0542	PANEL COVER	36.00
0016	0V1654	SWITCH KEY	0.94
0017	097796	SWITCH	11.28
0018	091420	ADJUSTABLE COLLAR	0.43
0019	090148	CLIP	0.05
0020	098796	TERMINAL BOARD	3.72
0021	0V0512	MAIN WIRING	165.60
0022	0V0537	MAIN WIRING	180.00
0023	098797	SWITCH SUPPORT	1.27
0024	099982	1024K-EPROM (TO BE PROGRAMMED)	17.64
0025	0V1858	PLUS CPU/REALISATION BOARD	282.00

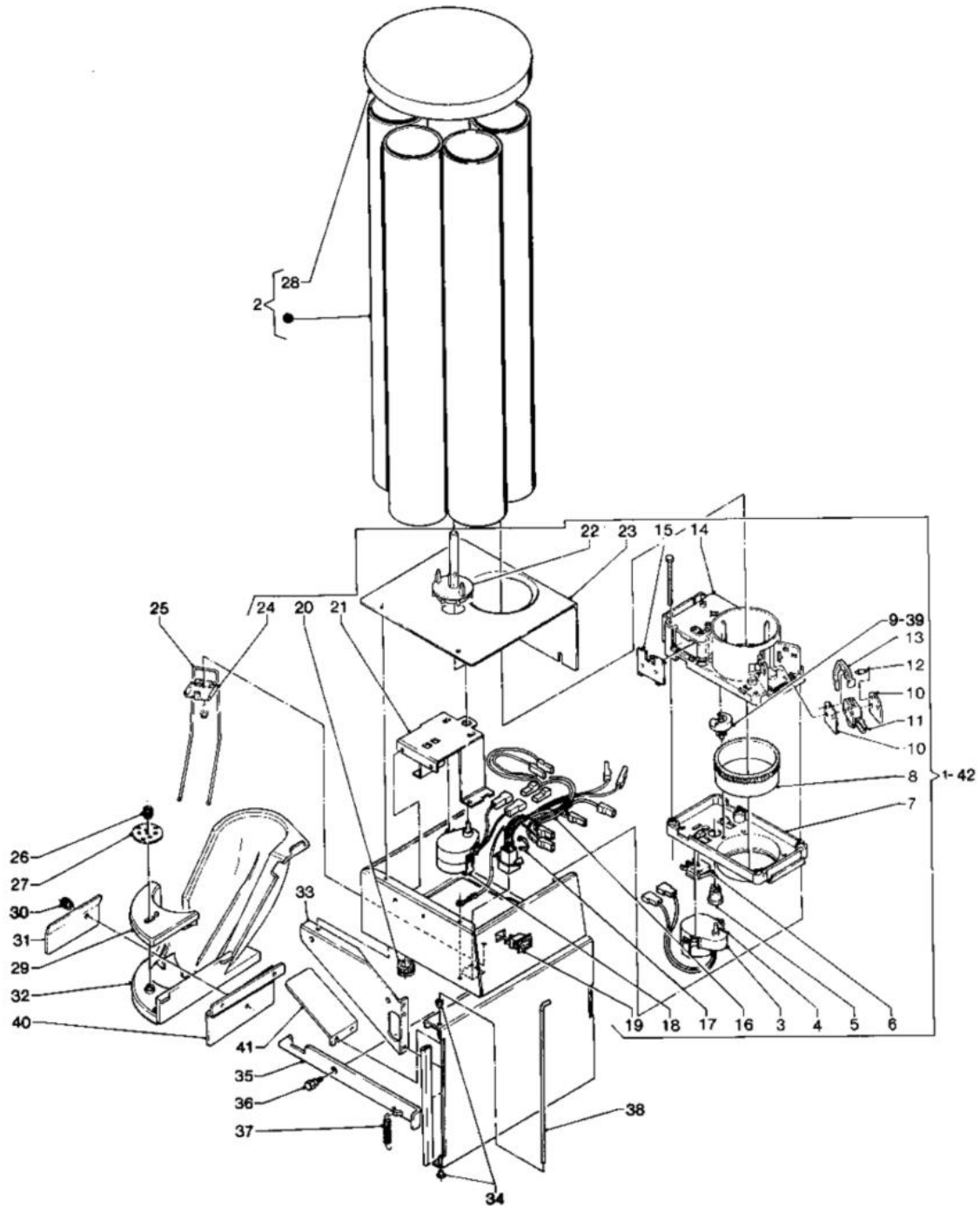


posLbl	Item	Description	Price (Eur)
0001	098799	FIXING DISC	1.63
0002	097383	ELECTROVALVE WATER-INLET 220V-2,5L/MIN-	13.44
0003	095730	BUCKET FASTENER	2.82
0004	254569	BLUE GROUND BUCKET	13.68
0005	097512	SILICONE HOSE 6X12 BROWN	5.04
0006	098459	WIRE-CLIP	0.36
0007	093628	HOSE VIPLA TRANSPARENT DIAM MM 14X1	1.78
0008	096552	UNION T-SHAPE	0.54
0009	094140	RUBBER HOLDER UNION	1.49
0010	092703	TUBE CLAMP	0.44
0011	097435	WATER FILTER VOLUMETRIC COUNTER	5.88
0012	094185	CODENSE RECOVERY UNION	0.98
0013	097510	SILICONE HOSE 5X9 BROWN	3.06
0014	095515	HOSE CLIP DIAM 14	0.30
0015	097515	SILICONE HOSE 10X16 BROWN	7.20
0016	097122	HOSE CLIP	0.28
0017	098250	AIR-BREAK COMPLETE	37.20
0018	094115	AIR BREAK CASE	6.36
0019	094330	HOSE POLYTHENE MM 6X9	3.42
0020	094120	FLOAT	7.68
0021	094571	UNION 90 DEGREES	0.46
0022	094118	FLOAT ARM	2.88
0023	094119	CONNECTING ROAD	1.15
0024	091959	BENZING COLLAR DIAM MM4	0.04
0025	094116	AIR-BREAK LID	4.20
0026	094933	CONTROL DEVICE MICRO AIR-BREAK	5.64
0027	094128	GRIP CLIP	0.24
0028	0V1929	MICRO 'UL' FOR AIR-BREAK	4.80
0029	099619	PUSH BUTTON	3.90
0030	098701	ES. BOILER GASKET	1.18
0031	098641	LOWER BOILER-COVER	34.80
0032	098758	STRAIGHT UNION	8.28
0033	0V2158	PUMP PIPE/COFFEE BOILER	15.48
0034	098764	BY-PASS PUMP (12 BAR)	15.84
0035	098697	PUMP SUPPORT	4.56
0036	093091	PUMP DAMPER	0.10
0037	098760	PUMP 18BAR -GLOW WIRE-	19.08
0037	0V0465	PUMP 220V - 60 HZ	36.00
0038	098815	90 DEGREESTHERMIC PROTECTION	13.92
0039	098707	VOLUMETRIC COUNTER D.1,8	18.00
0040	094231	UNION T-SHAPE	0.79
0041	098709	PISTON-PIPE	11.28
0042	098711	BUSH PISTON PIPE	0.96
0044	094611	GASKET O-RING 2018	0.06

posLbl	Item	Description	Price (Eur)
0045	098699	UNION FOR PISTON PIPE	1.78
0046	097529	SILICONE HOSE 3X6 BROWN	1.44
0047	0V1434	STRAIGHT UNION	3.60
0049	099012	RUBBERHOLDER UNION	4.08
0050	094594	GASKET O-RING 2031	0.08
0051	098761	2+3+2 WAYS ELECTROVALVES GROUP	0.00
0052	097472	3-WAY ELECTROVALVE NUCLEUS -VITON-	10.32
0053	0V1318	125 DEGR. THERMOSTAT	14.16
0054	094872	BOILER TEMPERATURE PROBE-EXCLUSIVE-	14.88
0055	095624	GASKET O-RING 116 EP851	0.20
0056	098640	UPPER BOILER-COVER	41.40
0057	098645	HEATING-ELEMENT	31.20
0058	254711	GASKET O-RING112 2.62X9.92-HEATING ELEMENT-	0.41
0059	099765	BRACKET WIRING	57.60
0060	090021	WHIPPING DIAM 12.9 MM	0.35
0061	099101	NO-RETURN VALVE	9.84
0062	0V0534	COFFEE BRACKET ASSEMBLY	1,002.00
0063	099107	NUT	0.84
0066	0V2802	GRINDER SUPPORT	2.10
0067	0V1335	COVERING	12.24
0068	094047	PASTILLE BAG HOSE	5.16
0069	094048	BAG LOCK COLLAR	1.74
0070	094124	DEPURATOR COMPLETE	120.00
0071	094126	DEPURATOR LID	5.40
0072	091993	DEPURATOR FILTER	2.64
0073	092942	DEPURATOR COVERING GASKET	1.18
0074	094127	WATER OUTLET PIPE	3.36
0075	094124	DEPURATOR COMPLETE	120.00
0076	091995	RESIN DEPURATOR 5 LITRES	41.40
0077	094046	FRONT DRUM FASTENER	0.00
0078	094516	DEPURATOR FASTENER	3.00
0079	098600	CHOCK	0.71
0080	099105	COFFEE-ELECTROV. CONNECTION PIPE	19.80
0081	099057	ELECTROV.-COIL 220/230 VOLT	14.88
0082	099056	INSTANTS COIL	12.96
0083	0V1953	INSTANT-ELECTROV. CONNECTION PIPE	16.92
0084	099059	VALVE-BUSH-GASKET	0.54
0085	099058	NUCLEUS INSTANT-E.V.	8.52
0086	252538	O-RING 2025	0.42
0087	099258	1000W/3 ELECTRIC VALVE COFFEE BOILER	282.00
0088	255043	SCREW M5X20	0.08
0089	0V0917	3 WAY ELECTROVALVE 60 HZ COIL	18.36
0090	0V0918	2 WAY ELECTROVALVE 60 HZ COIL	15.48
0091	098761	2+3+2 WAYS ELECTROVALVES GROUP	0.00



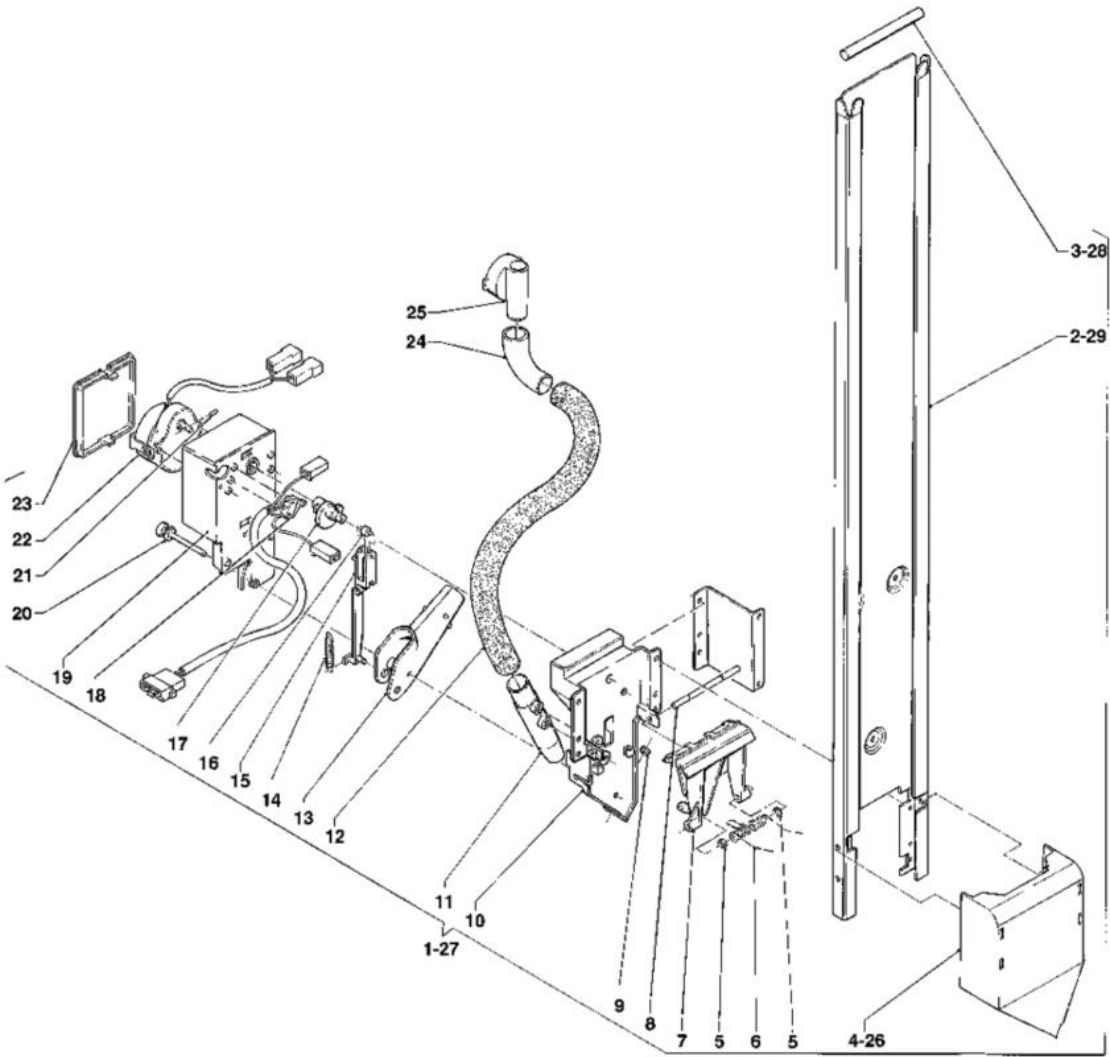
posLbl	Item	Description	Price (Eur)
0092	097685	SILICONE HOSE BROWN 7,5X12	4.08
0093	0V0844	220V-60HZ COFFE BOILER	300.00
0094	0V0804	COFFEE BRACKET ASSEMBLY	0.00
0096	0V1333	BOILER BRACKET	7.56
0097	0V1600	CAP WITH O-RING	0.76





Cup dispenser

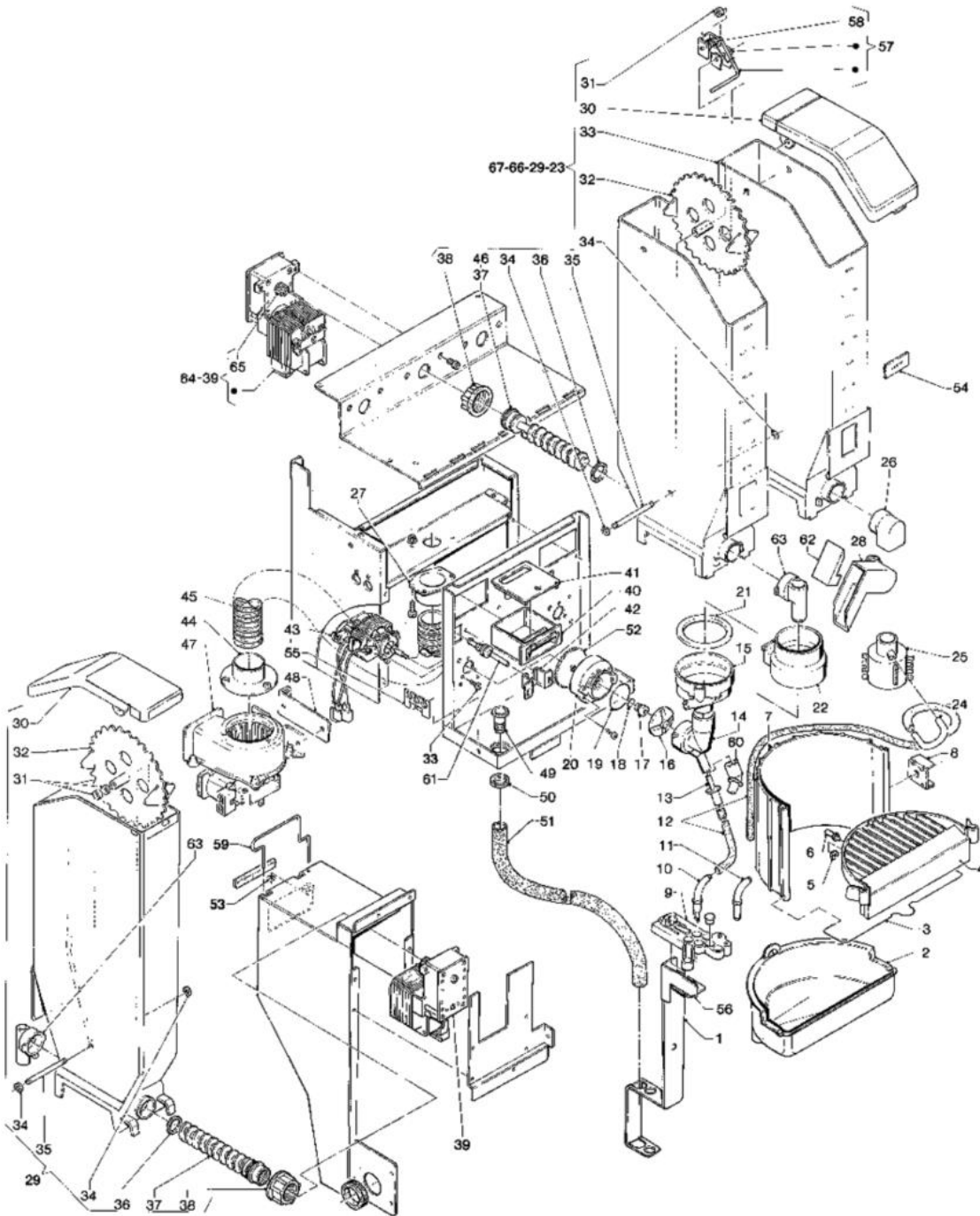
posLbl	Item	Description	Price (Eur)
0001	099649	CUPS DISTRIBUTOR	226.80
0002	0V0216	CUPS-CONTAINER	67.20
0003	099397	MOTOR REDUCTOR 6G/1 MIN.	37.20
0004	096904	ELASTIC PLUG 1,5X8	0.58
0005	098476	PINION	1.10
0006	0V1928	MICRO-SWITCH 'UL'	4.26
0007	098473	LOWER SHELL	7.92
0008	098477	TOOTHED RING	2.14
0009	098305	SCROLL DIAM. 70/71	0.58
0010	092984	MICRO SUPPORT DISK	0.61
0011	092439	MICRO TYPE 'CHERRY'	2.40
0012	093419	MICRO DRIVE LEVER PIVOT	0.37
0013	092982	MICRO LEVER	0.38
0014	098474	UPPER SHELL	14.64
0015	098475	SHUTTER	1.78
0016	098704	CUP-DISTRIBUTOR-WIRING	14.40
0017	090148	CLIP	0.05
0018	098845	MOTOREDUCER	58.80
0019	097807	BUTTON	2.88
0020	090021	WHIPPING DIAM 12.9 MM	0.35
0021	098844	MOTOREDUCER SUPPORT	9.12
0022	098917	ROTATION DISC	3.00
0023	098846	CUPS-COVER	20.52
0024	093851	FORK BRACKET	1.25
0025	093852	FORK	3.30
0026	093828	KNURL	0.73
0027	094080	RULER	1.15
0028	0V3658	CUP CONTAINER COVER	4.08
0029	094079	ADJUSTABLE SECTOR	2.82
0030	097699	KNURL M4	0.82
0031	094081	CHUTE LOCK DISK	2.17
0032	094085	CUP CHUTE	13.44
0033	098850	CUPS-DISTRIBUTOR SQUARE SUPPORT	3.90
0034	097606	EFFECTER BUSH	0.17
0035	098754	COUPLER LEVER	4.80
0036	090615	COLLAR SCREW	0.40
0037	093978	SPRING FOR ACTUATOR	0.62
0038	0V0522	BRACKET PIN	1.20
0039	0V1659	SNAIL W/DIAM. 73-74	1.44
0040	0V0517	CUP CHUTE SUPPORT	6.84
0041	099751	BRACKET	1.74
0042	098921	CUPS DISTRIBUTOR 73/74	0.00





Sugar and spoons dispenser

posLbl	Item	Description	Price (Eur)
0001	0V0533	SUGAR/STIRRER DISPENSER	151.20
0002	0V0518	STIRRER COLUMN	21.24
0003	090203	STIRRER BAR WEIGHT L=95	1.67
0004	098631	CHUTE FOR STIRRING	5.04
0005	091959	BENZING COLLAR DIAM MM4	0.04
0006	099602	SPRING	2.10
0007	099610	LEVER	3.06
0008	098352	STIRRING BARS EJECTING PIN	1.60
0009	098853	PASS-WIRE	0.50
0010	099607	BODY	4.62
0011	098356	SUGAR PIPE	4.26
0012	098719	PVC PIPE 14X19(A METER)	2.52
0013	099721	SUGAR NOZZLE	3.30
0014	099616	SPRING	1.20
0015	099605	ROD	0.88
0016	099604	ROLLER	1.30
0017	099606	CAM	0.98
0018	096355	MICRO SWITCH -UL -	4.20
0019	099608	SUPPORT	4.02
0020	0V2949	SUGAR SPOUT PIN	0.58
0021	096904	ELASTIC PLUG 1,5X8	0.58
0022	099397	MOTOR REDUCTOR 6G/1 MIN.	37.20
0023	099609	COVER	0.94
0024	0V0606	ELBOW	2.46
0025	098939	ROUND STRAIGHT PIPETTE	1.25
0026	0V3022	STIRRER CHUTE	3.30
0027	0V0743	STIRRER/SUGAR DISPENSER 105MM	0.00
0028	099720	STIRRER BAR WEIGHT L=105	1.60
0029	0V0681	STIRRER COLUMN 105 MM	25.80

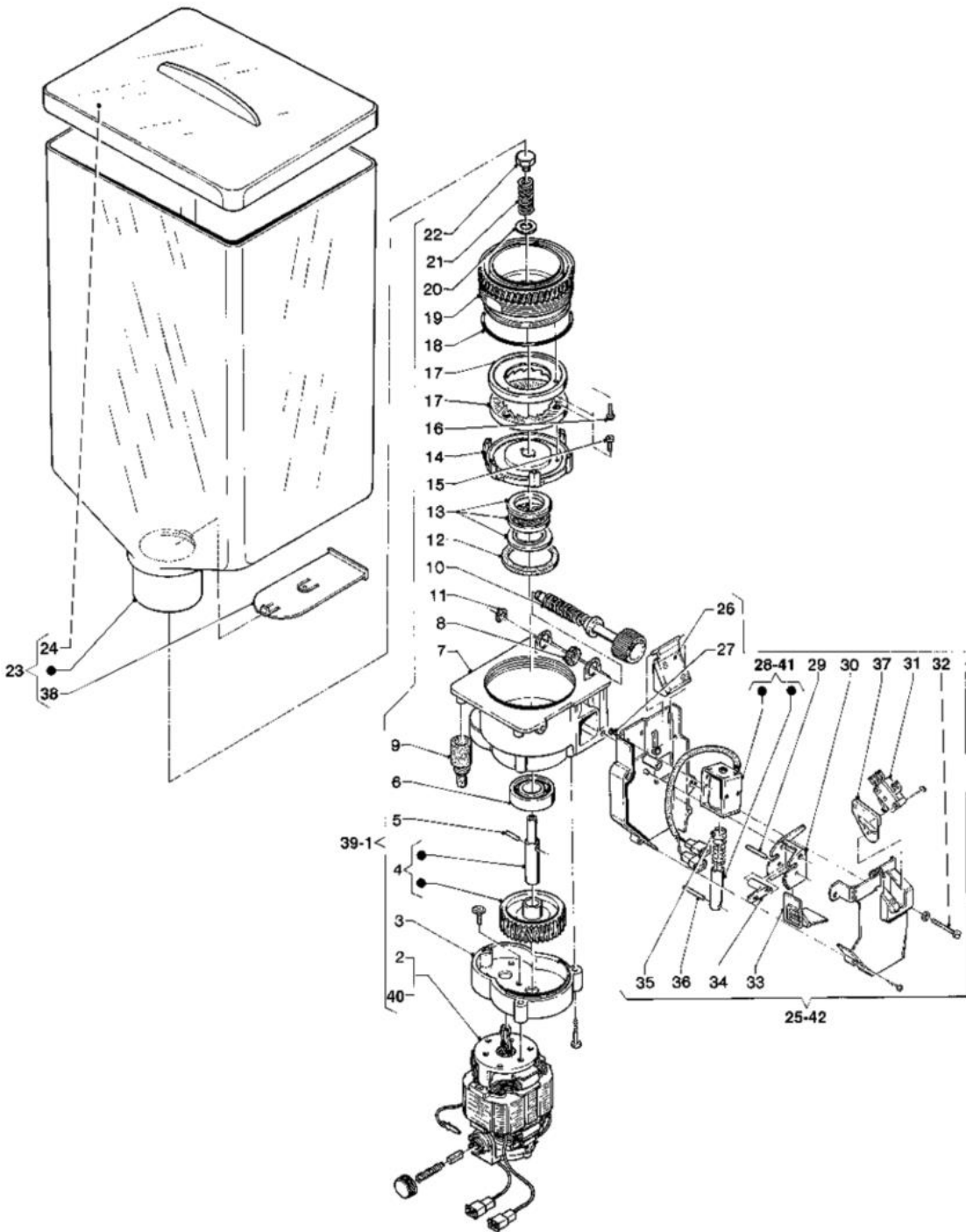


posLbl	Item	Description	Price (Eur)
0001	098801	SQUARE SUPPORT FOR NOZZLES	12.96
0002	094069	BASIN	8.28
0003	094070	BASIN FASTENING SPRING	1.08
0004	0V2228	BLACK GRATE	9.84
0005	094067	DISK	1.06
0006	094068	REAR FASTENING PIVOT	3.00
0007	094060	BACKPLATE NECK	39.60
0008	094061	GRATE FASTENING BRACKET	0.82
0009	098066	SUPPORT FOR INSTANT+ESPRESSO NOZZLES	4.14
0010	097953	POINTED NOZZLE	1.20
0011	097922	NOZZLE	1.08
0012	097511	SILICONE HOSE 6X9BROWN	2.52
0013	097914	COFFEE CHOKE	0.90
0014	097912	CONVEYOR FOR MIXER	1.81
0015	098191	WATER-FUNNEL CUT	2.17
0016	097916	MIXER VENTILATOR	3.00
0017	097917	BUSH SEAL -EXCLUSIVE-	5.88
0018	099880	GASKET	0.18
0019	094540	GASKET O-RING 3125 -MIXER-	0.58
0020	097911	FLANGE FOR MIXER	1.10
0021	097523	DEFLECTOR RING MIXER BROWN	0.90
0022	097520	POWDER INLET FUNNEL BROWN	1.20
0023	0V2177	NORMAL AUGER CONTAINER+BEATER	28.80
0024	097970	PIPE FOR COIL	5.64
0025	097923	COIL FOR TEA	2.58
0026	096868	SQUARE STRAIGHT PIPETTE	2.03
0027	0V0526	SUCTION PIPE CONNECTION	3.00
0028	098813	LEFT CONVEYOR L=55	2.64
0029	0V2173	NORMAL AUGER CONTAINER	23.04
0030	0V2048	POWDER CONTAINER LID	1.78
0031	098812	SPACER	0.25
0032	095936	WHEEL	2.88
0033	255046	SCREW M3,5X8	0.10
0034	091959	BENZING COLLAR DIAM MM4	0.04
0035	0V1962	PIN FOR WHEEL	0.49
0036	095829	GASKET O-RING	0.70
0037	098609	SCROLL	2.58
0038	095849	CONTAINER RING NUT	0.58
0039	098715	MOTORDOSER 45 G.	81.60
0040	0V0525	POWDER DRAWER	1.70
0041	0V0523	DRAWER COVER	1.46
0042	0V0605	NOZZLE SUPPORT	1.54
0043	098808	MOTORMIXER	35.40
0044	098703	VENTILATOR PIPE CONNECTION D38	1.54



Mixer and canister

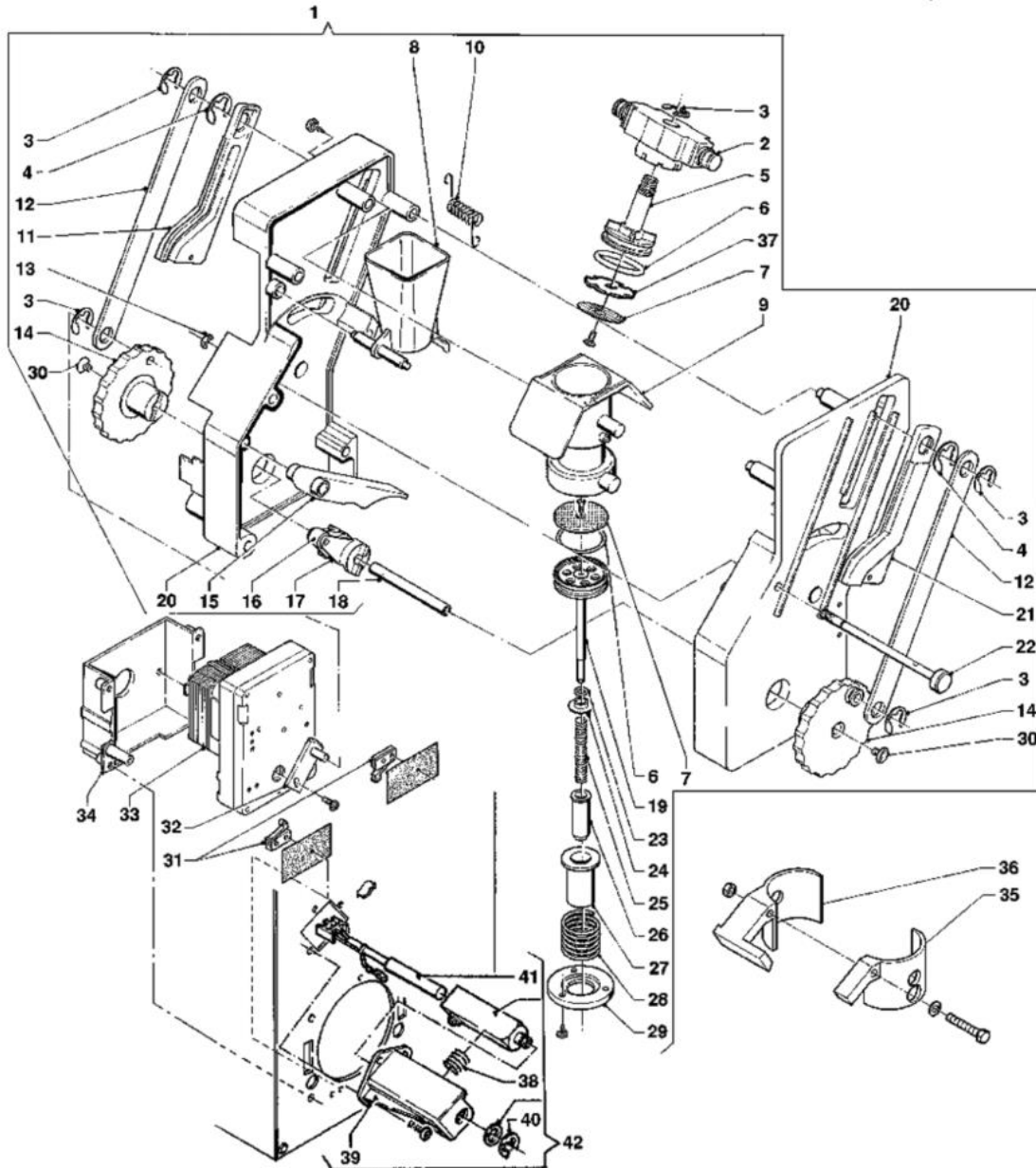
posLbl	Item	Description	Price (Eur)
0045	096459	HOSE DIAM 32	7.56
0046	098608	LONG SCROLL	2.28
0047	098583	ELECTROVENTILATOR -230V 50HZ-	31.20
0048	098806	SQUARE SUPPORT VENTILATOR	2.94
0049	094226	RUBBER HOLDER WATER-DRAIN	3.96
0050	093962	BATCHER FASTENING LOCK NUT	1.13
0051	098800	TRANSPARENT HOSE (PER METER)	2.76
0052	099889	DISK	0.56
0053	093754	BENZING COLLAR QUICKBLOCK BQ DIAM MM	0.10
0054	097502	NAMEPLATE GROUP CONTAINER INSTANT P	1.46
0055	098728	PIPES-SUPPORT	1.13
0056	0V0521	PROTECTION PLATE	7.56
0057	099494	CANISTER-BEATER	20.16
0058	099442	SPRING	0.80
0059	099632	STOPPING	3.84
0060	097913	ELBOW FOR MIXER	1.37
0061	099329	FUNNEL NOZZLE D. 3.4	0.60
0062	099803	LONG CONVEYOR COVER	1.22
0063	098939	ROUND STRAIGHT PIPETTE	1.25
0064	098807	MOTORDOSER 65 G.	80.40
0065	099882	PINION (FOR SMALL SHAFT)	1.85
0066	0V2174	LONG AUGER CONTAINER	22.68
0067	0V2175	LONG AUGER CONTAINER+BEATER	28.80





Grinder doser unit

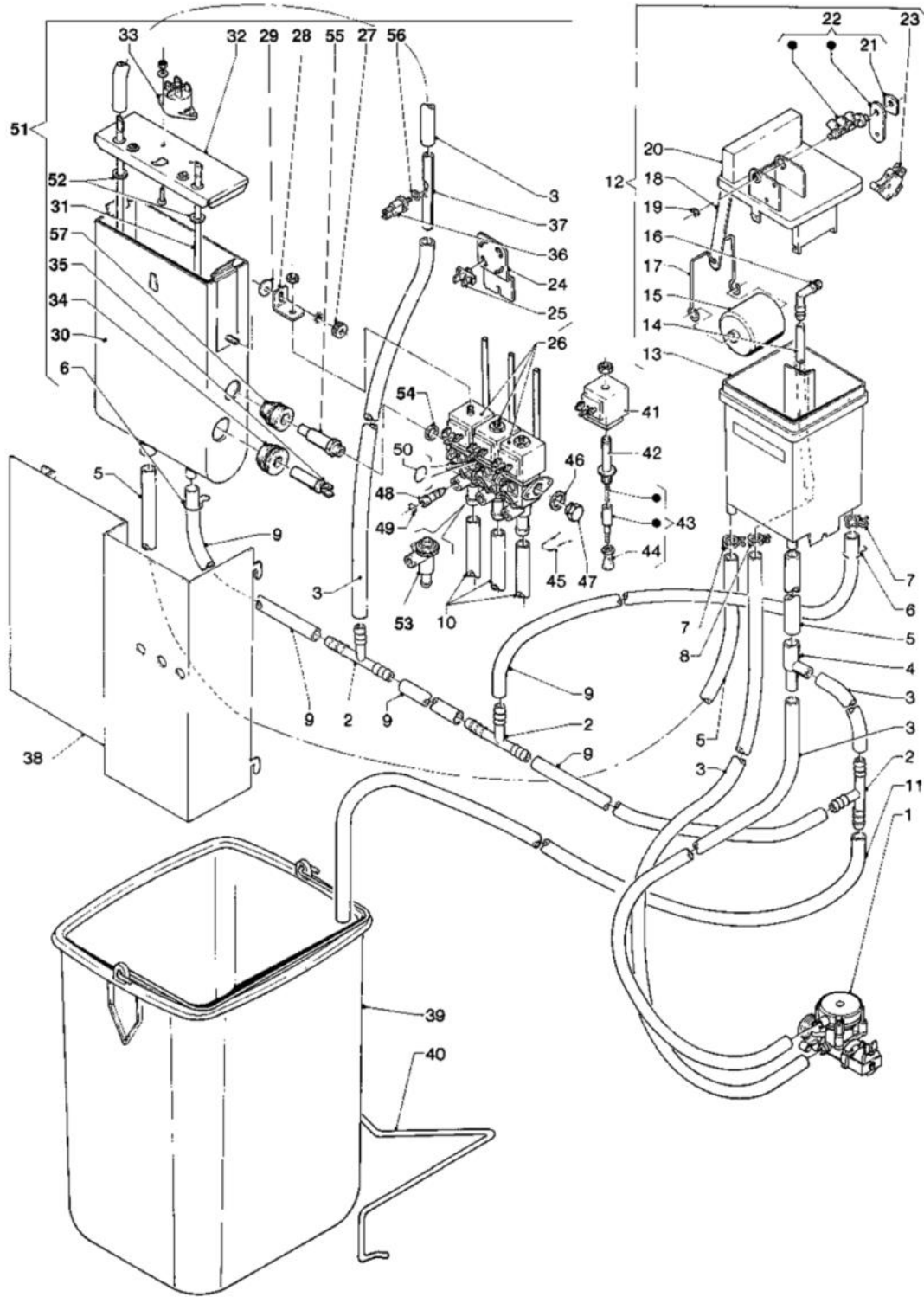
posLbl	Item	Description	Price (Eur)
0001	099336	GRINDER	169.20
0002	099732	GRINDER MOTOR	66.00
0003	099468	SUPPORT	4.08
0004	099470	SHAFT WHEEL	8.16
0005	098293	ELASTIC PLUG	0.14
0006	095803	RADIAL BEARING	6.12
0007	099469	CAP	8.28
0008	099457	WASHER	0.80
0009	099484	LITTLE RUBBER	0.44
0010	099474	REGULATION SCREW	2.76
0011	093171	OUTER FIXING COLLAR DIAM MM6	0.05
0012	093271	COFFEE JUNK RING .	1.46
0013	093187	THRUST BEARING	7.20
0014	095802	GRINDER HOLDER IMPELLER	10.56
0015	255032	TREFOIL SCREW M4X10	0.06
0016	255033	SELF-TAPPING SCREW 4X10	0.06
0017	095840	GRINDER	15.84
0018	095805	GASKET O-RING	0.32
0019	099473	GRINDER HOLDER	7.80
0020	096988	WASHER	0.05
0021	099471	SPRING	1.10
0022	099472	LEFT SCREW	1.22
0023	099726	COFFEE-CANISTER COMPLETE	24.00
0024	0V1357	CONTAINER COVER	3.54
0025	099337	COFFEE DOSER	75.60
0026	099475	ACTUATOR	0.26
0027	092657	CLOSS SLOT SCREW 3X6TC .	0.05
0028	098716	ELECTROMAGNET 220V	39.60
0029	098822	PIN FOR LEVER	0.44
0030	098642	SHUTTER COFFEE-DOSER	1.25
0031	0V2131	BURGESS MICRO-SWITCH	3.30
0032	096097	SCREW	0.05
0033	098643	RULE COFFEE-DOSES	0.86
0034	098644	LEVER FOR RULE	0.44
0035	098696	SPRING DOSER ELECTROMAGNET	0.30
0036	093832	ROD PIVOT	0.42
0037	0V2082	ADAPTER PLATE	1.92
0038	098630	ROLL-UP FOR CONTAINER	1.78
0039	0V0448	GRINDER 60 HZ	180.00
0040	0V0451	GRINDER MOTOR 60 HZ	76.80
0041	098716	ELECTROMAGNET 220V	39.60
0042	099337	COFFEE DOSER	75.60





Coffee unit Z2000

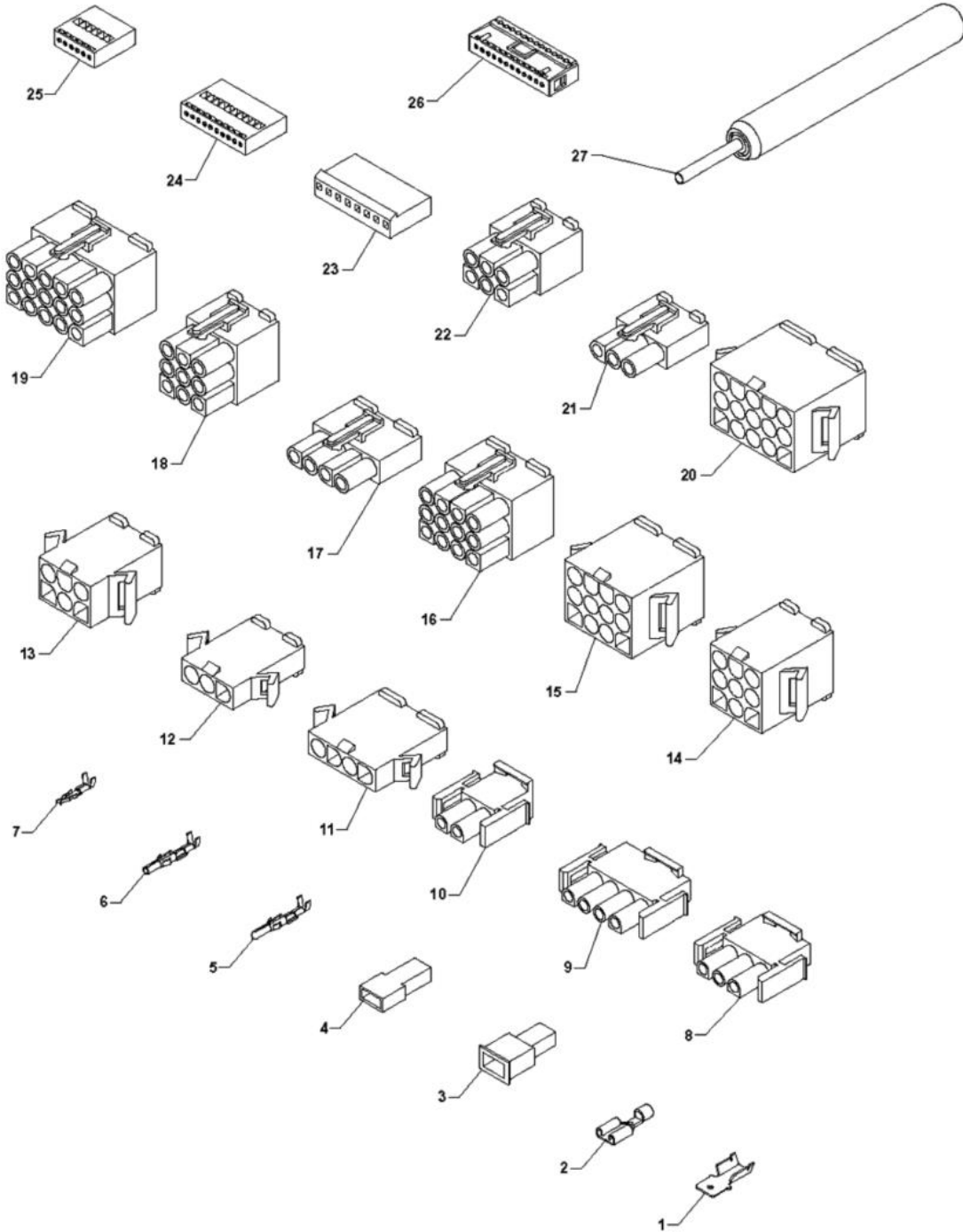
posLbl	Item	Description	Price (Eur)
0001	0V1358	Z2000M COFFEE UNIT	0.00
0002	098568	CROSS-BAR	4.44
0003	092717	FIXING COLLAR DIAM MM10	0.48
0004	096569	FIXING COLLAR DIAM 12	0.68
0005	098577	UPPER PISTON	4.26
0006	093167	SILICONE GASKET OR4118	0.92
0007	098687	COFFEE FILTER	3.24
0008	098570	COFFEE CHUTE	2.88
0009	0V1715	BREWING CHAMBER W/PLUG	9.36
0010	098920	SCRAPER	1.27
0011	098571	REAR SLEDGE	1.88
0012	098565	TRACE FOR PISTON COMMAND	3.12
0013	098818	STOPPING RING D.4	0.12
0014	098573	CRANK	2.94
0015	098575	OSCILLATING LEVER	3.00
0016	098692	ROTATING LEVER ROLL	1.27
0017	098574	ROTATING LEVER	2.03
0018	098693	ROD CRANK BLOCKING	1.96
0019	099490	LOWER PISTON	6.48
0020	0V1714	FRONT AND REAR SHOULDER	36.00
0021	098572	FRONT SLEDGE	1.88
0022	098694	ROD WITH KNURL	8.52
0023	090421	GASKET OR 2025	0.26
0024	098690	CONTROL BUSH	1.01
0025	098688	PISTON RETURN SPRING	1.15
0026	098691	LOWER PISTON GUIDE	2.06
0027	098567	LID FOR SPRING	0.90
0028	098689	PREINFUSION SPRING	1.74
0029	098569	FLANGE FOR SPRING	1.74
0030	0V3889	SCREW 6X14	0.19
0031	096355	MICRO SWITCH -UL -	4.20
0032	098763	CRANK WITH PIN	3.66
0033	098708	MOTOREDUCER	87.60
0034	098566	MOTOREDUCER SUPPORT	3.96
0035	0V1784	FRONT PANEL	4.44
0036	0V1785	REAR PANEL	5.40
0037	0V1789	WATER DEFLECTOR	0.64
0038	0V1788	CONTACT SPRING	0.22
0039	0V1787	SUPPORT	3.12
0040	987948	LOCKING WASHER	0.26
0041	0V1786	25 WATT 110/265 V RESISTOR	39.60
0042	0V1783	HEATER WITH SUPPORT	74.40
0043	251687	COFFEE-GROUP Z3000	144.00



posLbl	Item	Description	Price (Eur)
0001	097383	ELECTROVALVE WATER-INLET 220V-2,5L/MIN-	13.44
0002	096552	UNION T-SHAPE	0.54
0003	097512	SILICONE HOSE 6X12 BROWN	5.04
0004	094185	CODENSE RECOVERY UNION	0.98
0005	097515	SILICONE HOSE 10X16 BROWN	7.20
0006	092703	TUBE CLAMP	0.44
0007	095515	HOSE CLIP DIAM 14	0.30
0008	097002	HOSE CLIP	0.36
0009	097685	SILICONE HOSE BROWN 7,5X12	4.08
0010	097511	SILICONE HOSE 6X9BROWN	2.52
0011	093628	HOSE VIPLA TRANSPARENT DIAM MM 14X1	1.78
0012	098250	AIR-BREAK COMPLETE	37.20
0013	094115	AIR BREAK CASE	6.36
0014	094330	HOSE POLYTHENE MM 6X9	3.42
0015	094120	FLOAT	7.68
0016	094571	UNION 90 DEGREES	0.46
0017	094118	FLOAT ARM	2.88
0018	094119	CONNECTING ROAD	1.15
0019	091959	BENZING COLLAR DIAM MM4	0.04
0020	094116	AIR-BREAK LID	4.20
0021	094128	GRIP CLIP	0.24
0022	094933	CONTROL DEVICE MICRO AIR-BREAK	5.64
0023	0V1929	MICRO 'UL' FOR AIR-BREAK	4.80
0024	099749	BRACKET	5.64
0025	098484	HOSE FIXING	0.18
0026	099914	GROUP 3 ELECTROVALVES	151.20
0027	097699	KNURL M4	0.82
0028	098895	ELECTROVALVE FIXING BRACKET	1.67
0029	093179	INSULATING WASHER MOTOREDUCTER	0.44
0030	098866	INSTANT-BOILER	144.00
0031	098862	STRENGTHENED HEATING-ELEMENT	34.80
0032	098867	INSTANT-BOILER COVER	25.20
0033	0V1364	105 DEGREE SAFETY THERMOSTAT	15.48
0034	099918	GASKET FOR FEELER	1.32
0035	0V0157	FEELER	9.00
0036	098726	THERMOSTAT	0.00
0037	098390	PIPE FOR THERMOSTAT FIXING	12.72
0038	0V0510	BOILER COVER	36.60
0039	254569	BLUE GROUND BUCKET	13.68
0040	095730	BUCKET FASTENER	2.82
0041	099057	ELECTROV.-COIL 220/230 VOLT	14.88
0042	095791	VALVE BUSH	13.44
0043	099066	NUCLEUS MOBILE ASSY.	8.64
0044	099065	EV. MEMBRANE-GASKET	2.40



posLbl	Item	Description	Price (Eur)
0045	099060	ELASTIC SPRING	0.56
0046	099062	STOPPER-GASKET	0.16
0047	099061	STOPPER	2.58
0048	099063	ADJUSTING-SCREW	1.42
0049	099064	INSTANT EV. ADJUSTING-SCREW-GASKET	0.16
0050	099067	EV. MIDDLE GASKET	0.67
0051	099671	INSTANT BOILER COMPLET	312.00
0052	099289	GASKET	0.90
0053	0V0807	ELECTRICVALVE BODY(FOR ELECTRICV.GROUP)	13.20
0054	254711	GASKET O-RING112 2.62X9.92-HEATING ELEMENT-	0.41
0055	0V0753	ELECTROVALVE MOUTH	0.00
0056	094597	COPPER WASHER	0.40
0057	099847	GASKET FOR EV. INSTANT BOILER	2.28





Electrical junction box and connectors

posLbl	Item	Description	Price (Eur)
0001	091159	TERMINAL FASTON MALE BRASS	0.07
0002	090959	FASTON W/O TONGUE	0.00
0003	091192	FASTON COVER	0.14
0004	090247	FEMALE FASTON COVER	0.12
0005	095955	TERMINAL MALE	0.14
0006	096136	TERMINAL FEMALE	0.18
0007	094405	TERMINAL FEMALE 2,5	0.07
0008	094954	FEMALE HOLDER CONNECTOR 3-WAYS	2.46
0009	098062	4-WAY CONNECTOR MATE-N-LOK AMP	0.55
0010	094955	FEMALE HOLDER CONNECTOR 2-WAYS	0.38
0011	0V0809	4-PIN CONNECTOR/P MOLEX 3191	0.90
0012	0V0808	3-PIN CONNECTOR/P MOLEX 3191	0.77
0013	0V0810	6-PIN CONNECTOR/P MOLEX 3191	1.18
0014	0V0811	9-PIN CONNECTOR/P MOLEX 3191	1.30
0015	0V0812	12-PIN CONNECTOR/P MOLEX 3191	1.96
0016	0V0818	12-PIN CONNECTOR/P MOLEX 3191	0.00
0017	0V0815	4-PIN CONNECTOR/P MOLEX 3191	0.94
0018	0V0817	9-PIN CONNECTOR/P MOLEX 3191	1.27
0019	0V0819	15-PIN CONNECTOR/P MOLEX 3191	2.17
0020	0V0813	15-PIN CONNECTOR/P MOLEX 3191	2.06
0021	0V0814	3-PIN CONNECTOR/P MOLEX 3191	0.72
0022	0V0816	6-PIN CONNECTOR/P MOLEX 3191	1.25
0023	093993	CHASER CONNECTOR FEMALE HOLDER 10-W	0.00
0024	094404	FEMALE HOLDER CONNECTOR 12-WAYS 2,5	0.00
0025	094712	FEMALE HOLDER CONNECTOR STOKO 6-WAY	0.00
0026	094961	FEMALE HOLDER CONNECTOR P.I. 12-W	1.18
0027	0V0820	MOLEX CONTACT PULLER	55.20